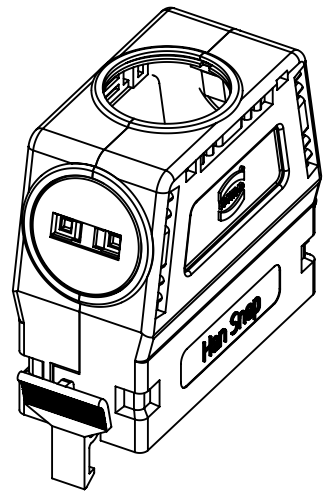
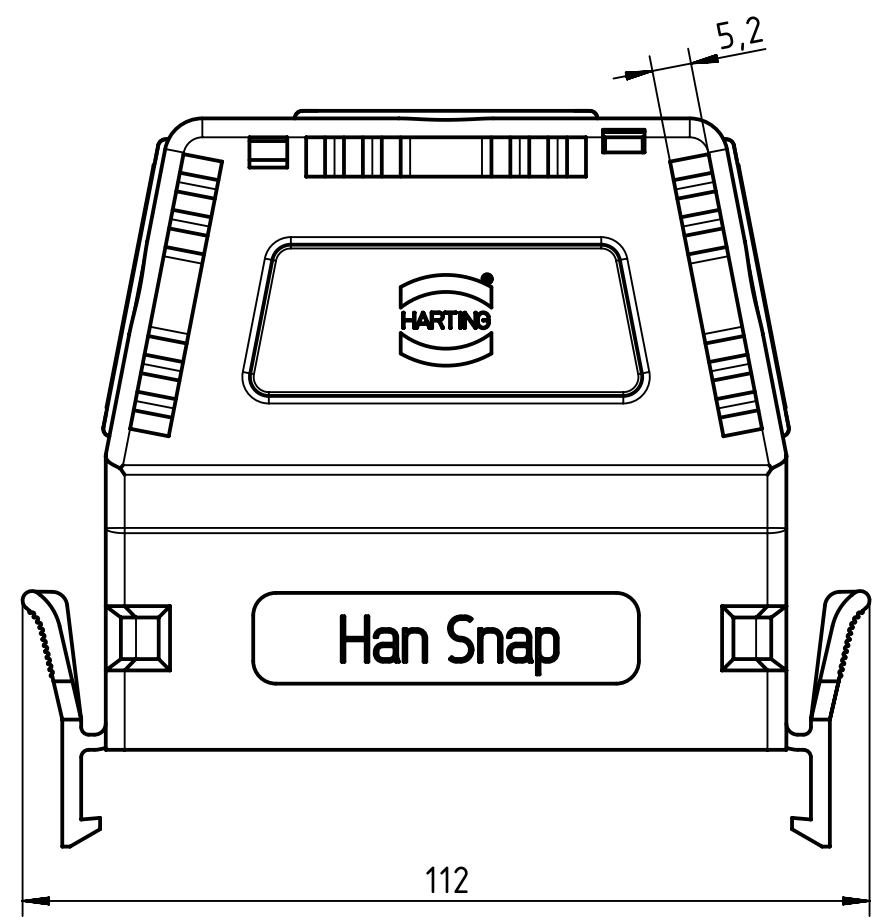
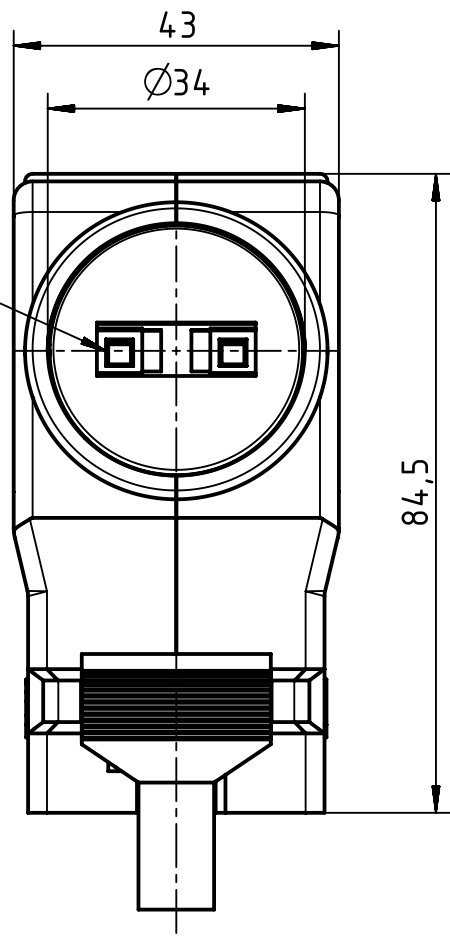


blanking piece with slots  
for identification strip

HARTING - label 7x20  
SIEMENS - label 9x20

2 blanking pieces belongs  
to supply schedule

Usable for all inserts of the  
series Han B



	All rights reserved Department EL PD - DE	All Dimensions in mm Original Size DIN A4		Scale 1:1	Free size tol.	Ref. Sub. 09 33 016 0401 v. 13.07.93	
		HARTING Electric GmbH & Co. KG D-32339 Espelkamp	Created by RULLKOETTER	Inspected by SUNDERMEIER	Standardisation RUETERA	Date 2018-03-22	State Final Release
		Title Han Snap Plastic Housing Size 16B				Rev. B	
		Type TB	Number 09 33 016 0401			Page 1/1	