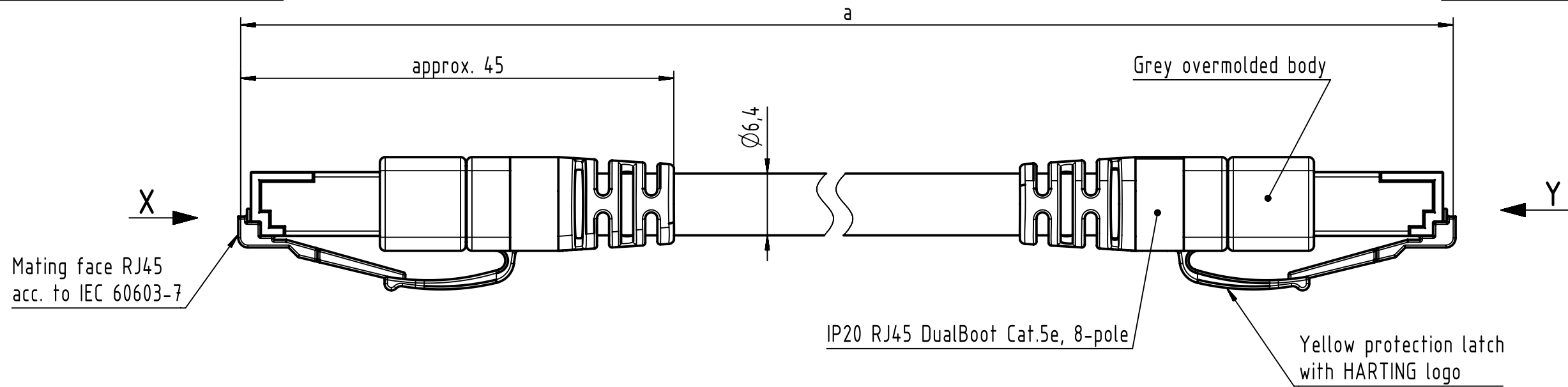


Connector Location A

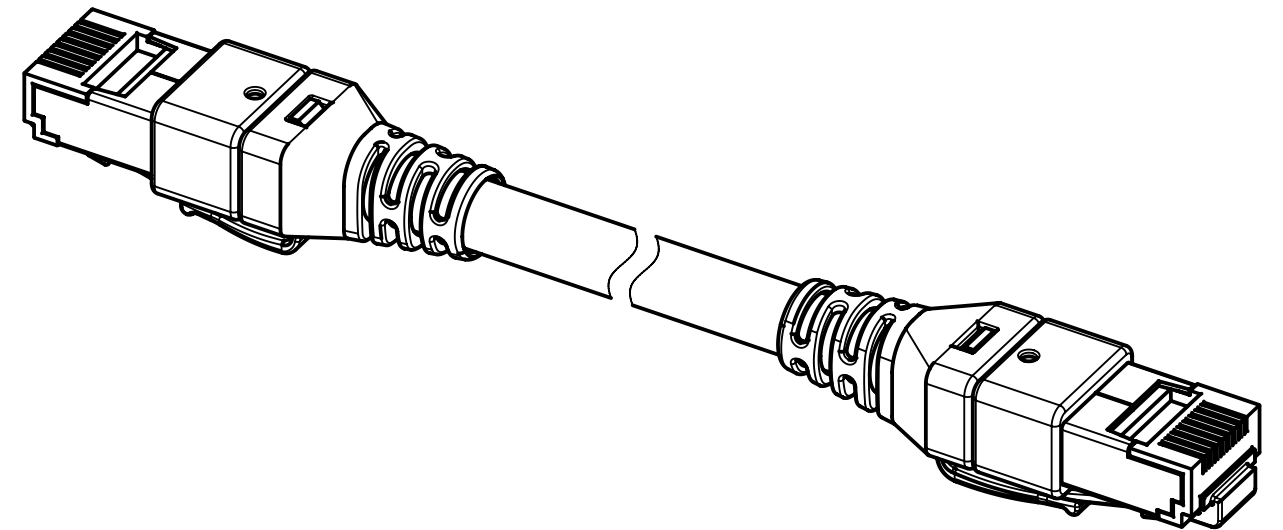
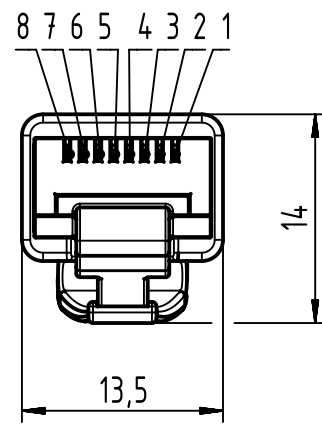
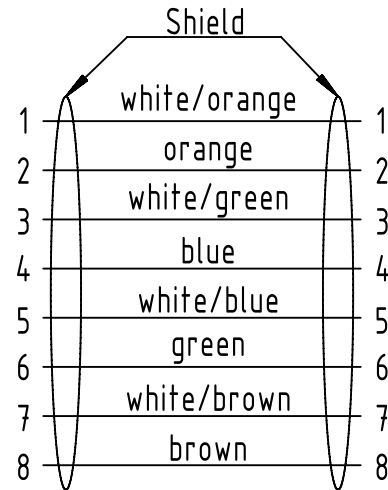
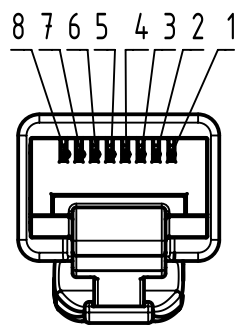
Connector Location B



X
male

Loading Plan
acc. to TIA/EIA 568B

Y
male



NOTE:

For lengths < 1.0m:

- relative positioning of the connectors to each other will be as presented in the drawing, however with an admissible angular deviation around cable axis of $\pm 30^\circ$


For lengths ≥ 1.0 m:

-relative positioning of the connectors to each other not obligatory

Temperature range:

- Fixed installation: $-30^\circ\text{C} \dots +75^\circ\text{C}$
- Dynamic installation: $-5^\circ\text{C} \dots +50^\circ\text{C}$

	All rights reserved Department HCS - RO	Created by COSTEA Costea	Inspected by STOCHECIC Stochechi	Standardisation MUNTEANV Muntean	Date 2019-09-05	State Final Release	Doc-Key / ECM-Nr. 100170398/UGD/016/M 500000157666
	HARTING Customised Solutions D-32339 Espelkamp	Title RJ45 cable 4x2xAWG26/7 CAT5e PUR		Type TB	Number 094747470XX	Rev. M	Page 1/2

1	2	3	4	5	6	7	8							
41	09474747040	4x2xAWG 26/7 S/FTP Cat.5e, PUR, yellow	60	±1%										
40	09474747029		50											
39	09474747036		48											
38	09474747028		40											
37	09474747026		35											
36	09474747027		30											
35	09474747025		25											
34	09474747023		20											
33	09474747034		18											
32	09474747033		17											
31	09474747032		16											
30	09474747022		15											
29	09474747031		14											
28	09474747035		12											
27	09474747030		11											
26	09474747021		10											
25	09474747020		9											
24	09474747019		8											
23	09474747018		7.5											
22	09474747017		7											
21	09474747016		6					+0.040						
20	09474747015		5											
19	09474747041	4.3												
18	09474747014	4												
17	09474747024	3.5												
16	09474747013	3												
15	09474747012	2.5												
14	09474747011	2												
13	09474747037	1.8												
12	09474747010	1.5												
11	09474747038	1.2	+0.020											
10	09474747009	1												
9	09474747008	0.9												
8	09474747007	0.8												
7	09474747006	0.7												
6	09474747005	0.6												
5	09474747004	0.5												
4	09474747003	0.4												
3	09474747002	0.3												
2	09474747001	0.2												
1	09474747039	0.16												
Cont. no.	Part no.	Type of cable	Dim. a[m]	 All rights reserved Department HCS - RO HARTING Customised Solutions D-32339 Espelkamp				Tech. Character. Free size tol. According to production drawing	Date 2019-09-05	State Final Release	Title RJ1 cable 4x2xAWG26/7 CAT5e PUR	Doc-Key / ECM-Nr. 100170398/UGD/016/M 500000157666	Rev. M	Page 2/2