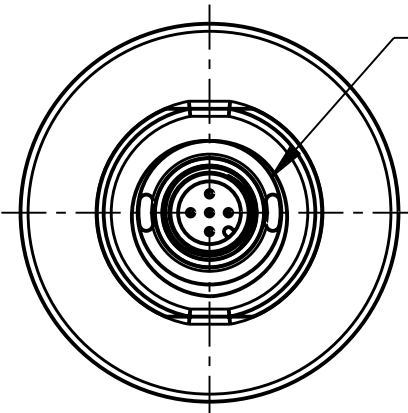
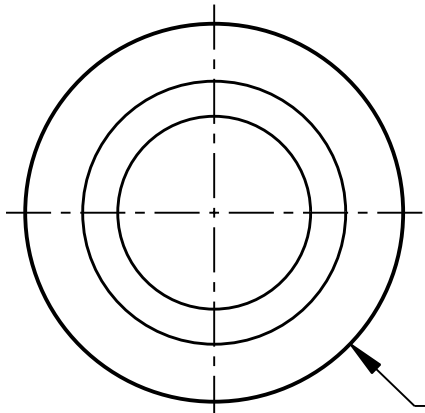
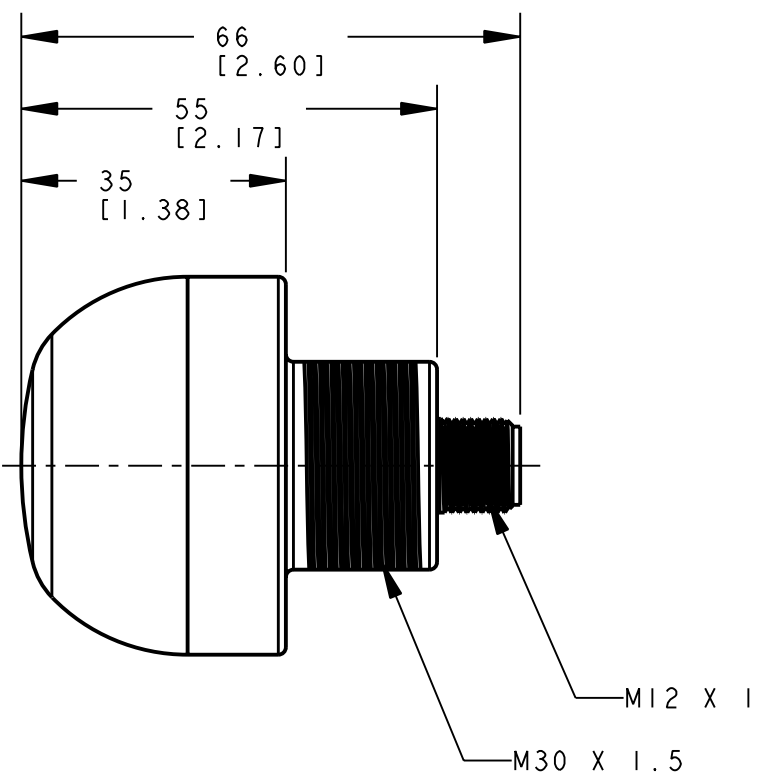


ISOMETRIC VIEW
SCALE 1:1



1/2-14 NPSM
INTERNAL THREAD



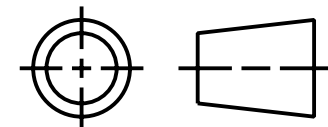
Ø50
[1.97]

This drawing is the property of BANNER ENGINEERING CORP. and is proprietary in general and in detail. Its contents shall not be revealed to outside parties without written consent of BANNER.



BANNER ENGINEERING CORP.
P.O. BOX 9414
MINNEAPOLIS, MN 55440

THIRD ANGLE PROJECTION



TITLE

K50C WEB OD
WEB CAD DRAWINGS 2D/3D

SIZE B	DRAWING NO. 159877	REV. A
-----------	-----------------------	-----------

SCALE 1:1	SHEET 1 OF 1
--------------	-----------------

NOTES:
1. ALL DIMENSIONS ARE MILLIMETERS [INCHES] UNLESS OTHERWISE NOTED.