

Industrial Panel PC

Catalog 2018



WECON Technology Co.,Ltd
Addr:10th building,E field,Software Park,Fuzhou,Fujian,China
Tel: 0086-591-87868869 ext 894
Whatsapp: +8618695607360
Website: www.we-con.com.cn/en
Skype:lily-wecon
Email: sales@we-con.com.cn
Technical Support: support@we-con.com.cn



HARDWARE FEATURES

WPC-Series Industrial PC

Main Features >>



- Intel baytrail J1900 4-Core CPU , 178°full view LED screen,high resolution.
- Matte and smooth steel enclosure optimal for harsh environments .
- USB3.0 supported, 1000MB Ethernet work supported, WIFI(optional).
- 2-channel built-in speakers.
- SSD supported.
- Best fanless cooling performance without noise.

CPU >>



- Intel baytrail J1900 4-Core CPU,lower power assumption and higher speed.
- Intel Core i3 / i5 are optional.(fan)

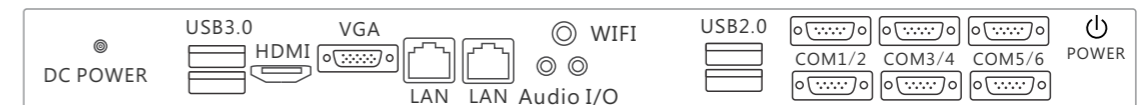


HARDWARE FEATURES

WPC-Series Industrial PC

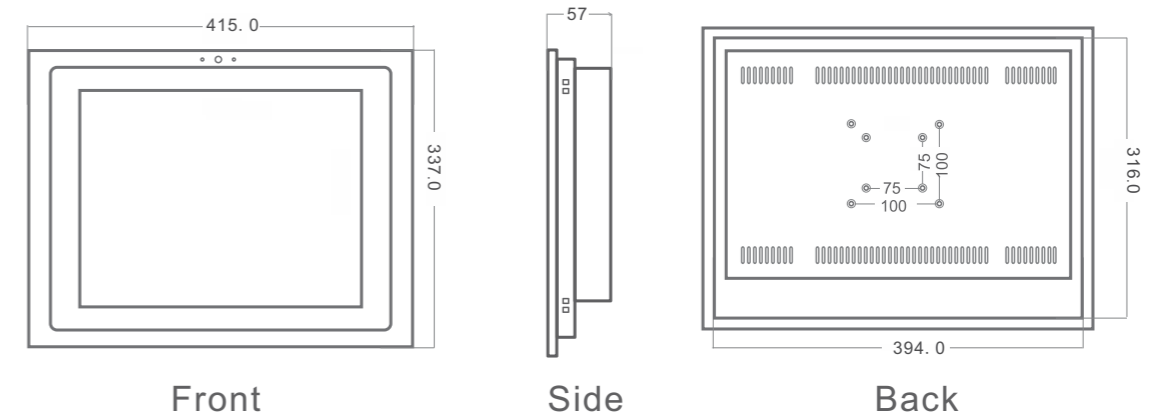
Interface and Ports >>

Product Size 17"



Installation Dimension >>

*unit:mm



SPECIFICATIONS

Industrial PC



Model	WPC-100403A	WPC-120403A	WPC-150403A
-------	-------------	-------------	-------------

Screen Size	10.4 inch	12 inch	15 inch
Shell material	Steel		
Shell color	Black		
CPU	Intel Celeron J1900	Intel Celeron J1900	Intel Celeron J1900
Resolution	1024*768	1024*768	1024*768
Screen ratio	4:3	4:3	4:3
Touch screen	5-wire analog resistive		
Memory	4G DDR3		
SSD	32GB SSD (64GB/128GB optional)		
Display chip	IntelHD Graphics		
Audio chip	Integrated Realtek ALC662		
Networkcard chip	Integrated RTL 8111 GigabitNIC		
Power Adapter	100-240V input; 12V/5A output		
Size(mm)	276.0*214.0*46.0	316.0*260.0*56.0	375.0*290.0*53.0
Cut size(mm)	252.5*189.7	295.0*238.0	355.0*271.0
Gross Weight (KG)	5	6	7
Temperature	-10 °C ~ 50 °C	-10 °C ~ 50 °C	-10 °C ~ 50 °C
System	Windows 7 (inofficial) (support Windows 7/8/10)		
Power	<25W	<25W	<30W
USB Host	4	6	6
Serial Ports	RS232 * 2	RS232*6 (COM3 optional for RS485/422)	RS232*6 (COM3 optional for RS485/422)
Network	RJ45*1(Ethernet)	RJ45*1(Ethernet)	RJ45*1(Ethernet)
VGA	1		
HDMI	1		
Audio	1		
Wifi	Optional		
Installation methods	VESA, Wall-hanging, Desktop and Embedded installation		
Industrial environment	Industrial dust,anti-stress,anti-interference, high and low temperature stability,support 24 hours of continuous operation		

SPECIFICATIONS

Industrial PC



Model	WPC-170403A	WPC-190403A	WPC-211609A
-------	-------------	-------------	-------------

Screen Size	17 inch	19 inch	21.5 inch
Shell material	Steel		
Shell color	Black		
CPU	Intel Celeron J1900	Intel Celeron J1900	Intel Celeron J1900
Resolution	1280*1024	1280*1024	1920*1080
Screen ratio	4:3.2 (5:4)	4:3.2 (5:4)	16:9
Touch screen	5-wire analog resistive		
Memory	4G DDR3		
SSD	32GB SSD (64GB/128GB optional)		
Display chip	IntelHD Graphics		
Audio chip	Integrated Realtek ALC662		
Networkcard chip	Integrated RTL 8111 Gigabit NIC		
Power Adapter	100-240V input; 12V/5A output		
Size(mm)	415.0*337.0*57.0	451.0*380.0*59.2	552.9*345.0*57.0
Cut size(mm)	394.0*316.0	432.5*361.5	447.8*269.3
Gross Weight (KG)	8	10	12
Temperature	-10 °C ~ 50°C	-10 °C ~ 50°C	-10 °C ~ 50°C
System	Windows7 (inofficial) (support Windows7/8/10)		
Power	<35W	<45W	<38W
USB Host	4	4	4
Serial Ports	RS232*6 (COM3 optional for RS485/422)	RS232*2	RS232*6 (COM3 optional for RS485/422)
Network	RJ45*2(Ethernet)	RJ45*1(Ethernet)	RJ45*2(Ethernet)
VGA	1		
HDMI	1		
Audio	1		
Wifi	Optional		
Installation methods	VESA, Wall-hanging, Desktop and Embedded installation		
Industrial environment	Industrial dust,anti-stress, anti-interference, high and low temperature stability,support 24 hours of continuous operation		

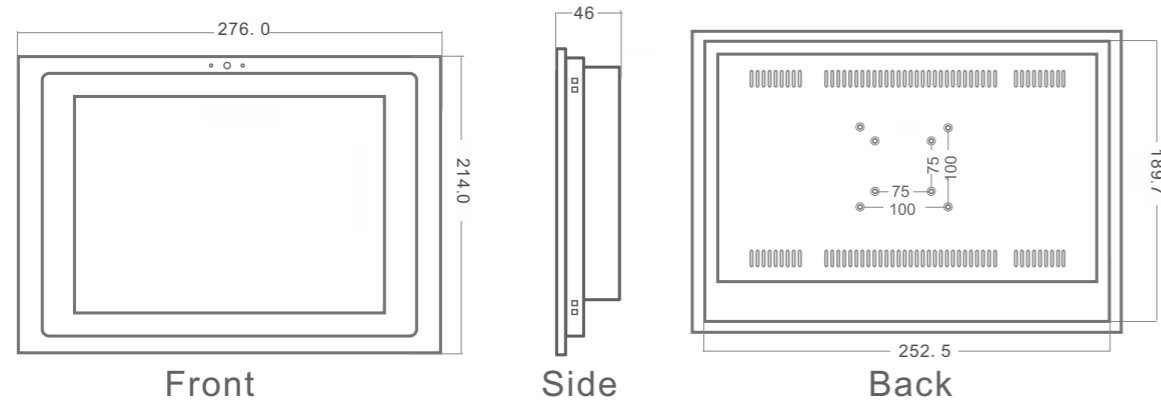
- Industrial Automation
- Environment Monitoring
- Building Advertisement
- SCADA System
- Digital Labeling
- Military and Aero-Space
- Sales and POS System
- IoT System



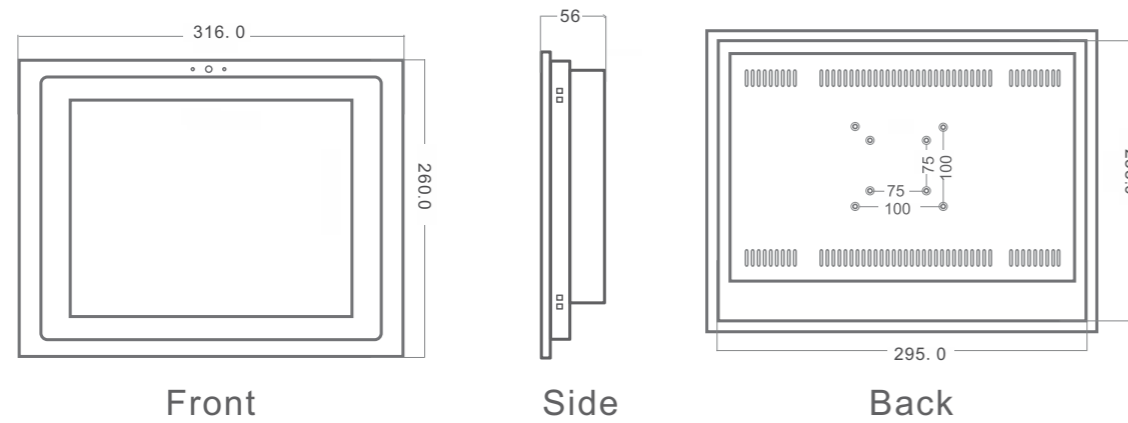
INSTALLATION DIMENSION

*Unit: mm

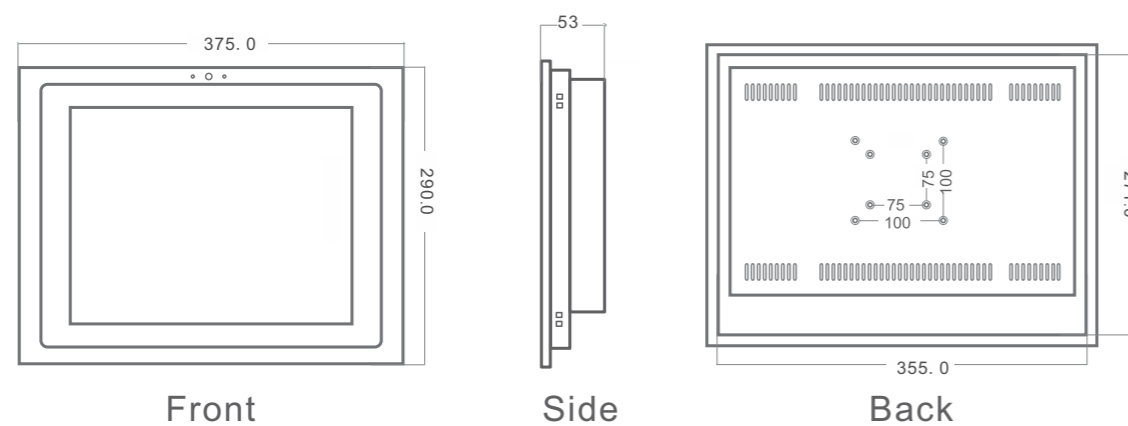
Product Size 10.4"



Product Size 12"



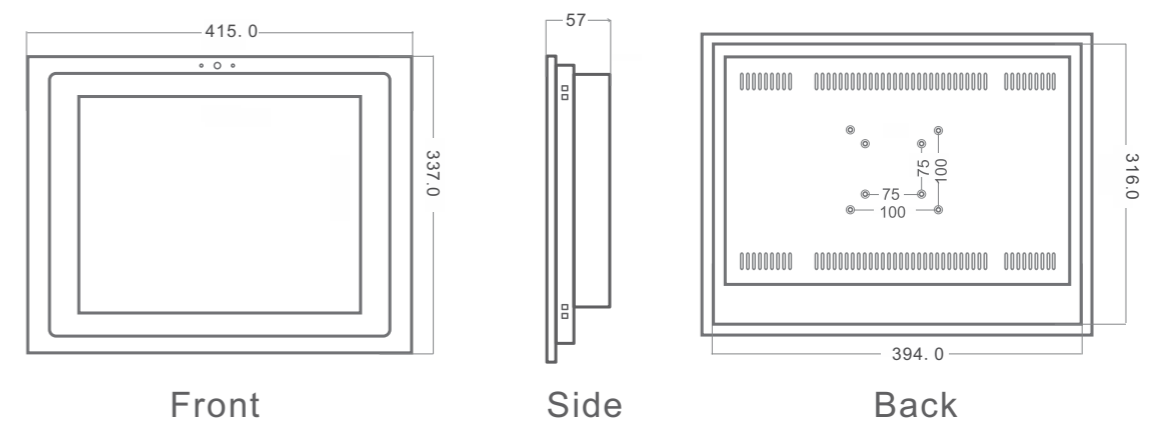
Product Size 15"



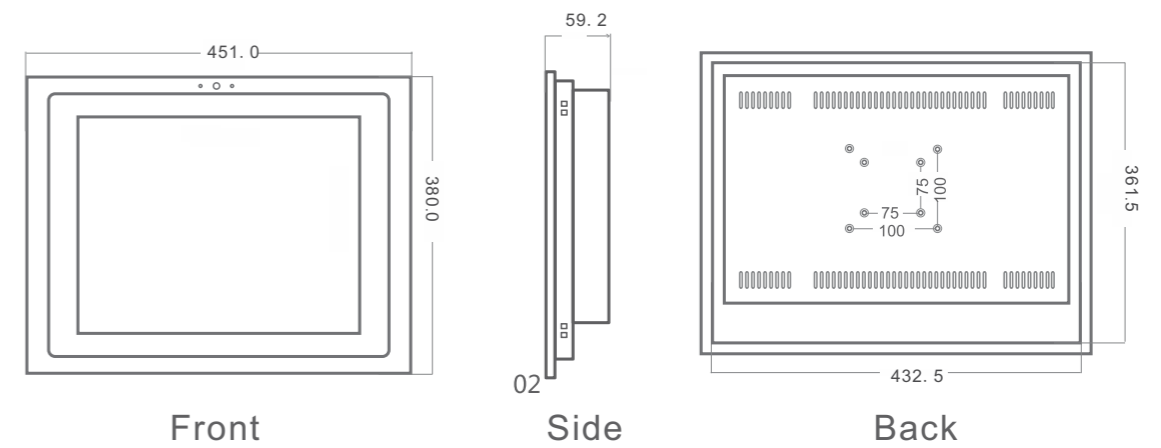
INSTALLATION DIMENSION

*Unit: mm

Product Size 17"



Product Size 19"



Product Size 21.5"

