

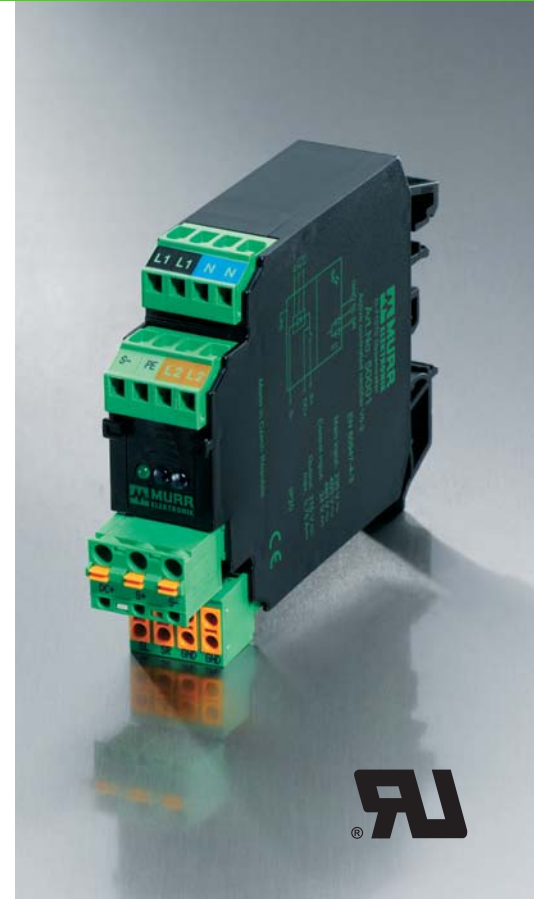
COMPACT

BRAKE FAST AND ACCURATELY

Connect DC brakes easier with Murrelektronik's active brake rectifiers. Now the contactor and rectifier modules are combined!

So far, brake components were installed separately: in the control cabinet and on the motor's terminal board. But now, with Murrelektronik's active brake rectifiers, both parts included in one compact component! The DC brakes are directly controlled from the control cabinet.

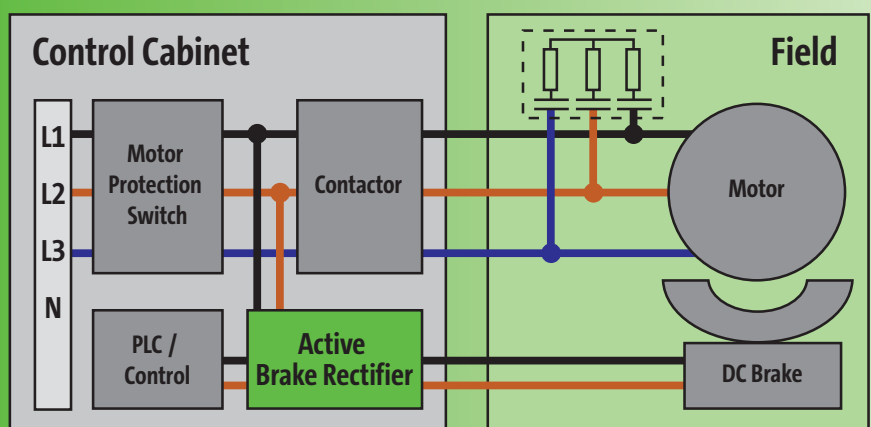
The active brake rectifiers receive a signal from the PLC via a 24 V DC control input. A semiconductor switch that never wears out controls the rectified output voltage of the brake.



USING ACTIVE BRAKE RECTIFIERS

Conventional solutions include a switching device in the control cabinet and a rectifier module on the motor's terminal board.

Murrelektronik's active brake rectifiers replace both components.



THE OPTIMUM SOLUTION FOR CONTROLLING DC BRAKES

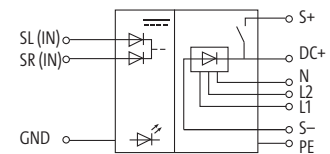
- For all standard mains voltages
- Direct control via PLC
- Very short switch-off times because of direct current switching
- Suppression for the brake
- Spring clamp terminals
- Status LED

TECHNICAL OVERVIEW

Active Brake Rectifier



Circuit diagram



Terminal	Function
L1, L2, N	Supply inputs
SL, SR, GND	Control inputs
S+	Switched output
DC+	Unswitched output
S-	Referenced potential output
PE	earth

Input voltage	Output voltage	Terminal configuration
230VAC ± 15% / 50Hz	205VDC	L1 – N
400VAC ± 15% / 50Hz	180VDC	L1 – L2
480VAC ± 15% / 60Hz	215VDC	L1 – L2

Technical Data	
Control input	24 V DC
Output current for the brake	0.75 A
Connections	Spring clamp terminals
Display	green LED
Temperature range	0...55°C
Approvals	UL, CE
Mounting method	DIN rail mounting
Dimensions	H x W x D 75 x 22.5 x 115 mm

Art.-No.
50001

Please contact us for individual consultation.