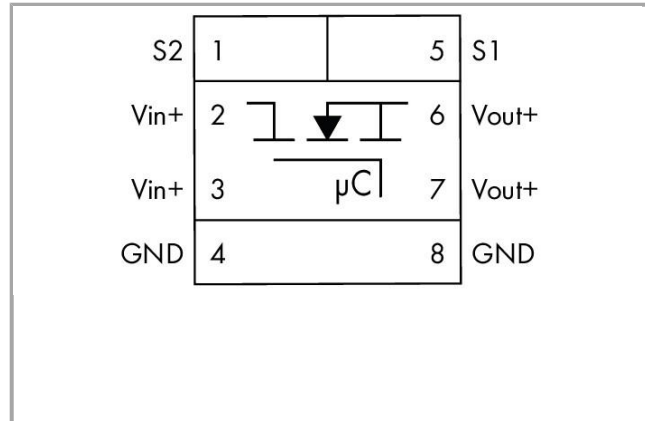
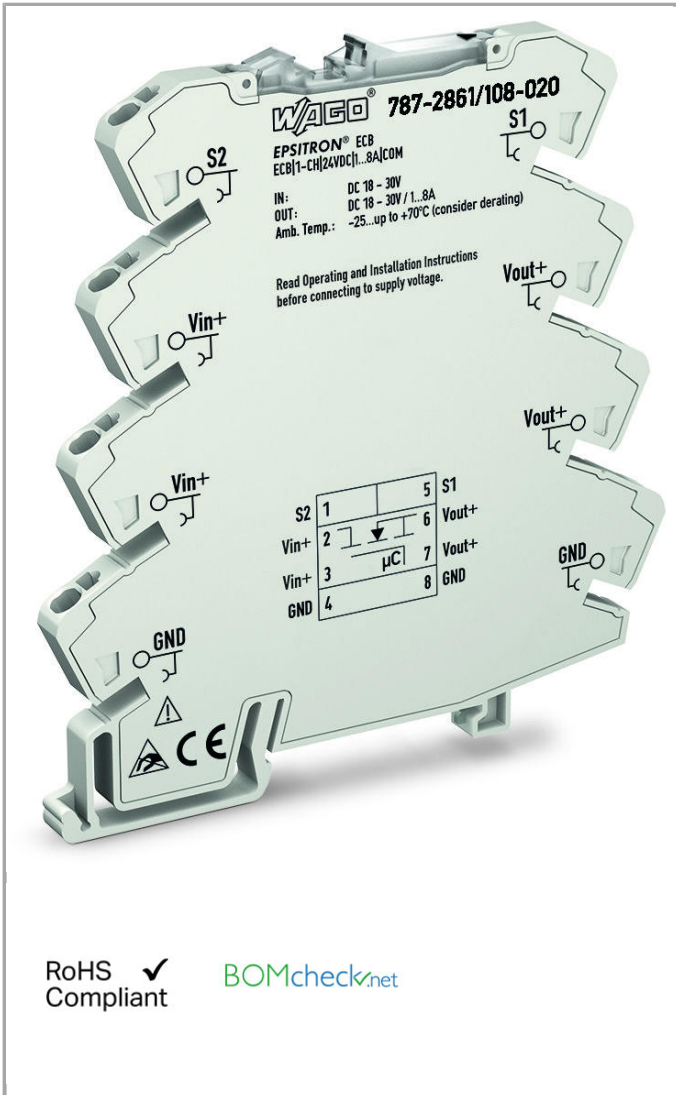


Data sheet | Item number: 787-2861/108-020

electronic circuit breaker; 1-channel; 24 VDC input voltage; adjustable 1 ... 8 A; Signal contact

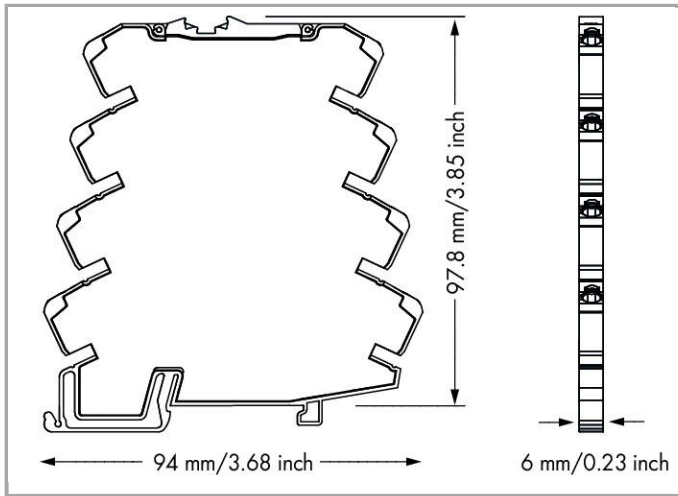


www.wago.com/787-2861/108-020



RoHS Compliant

BOMcheck.net



Item description

Features:

- Space-saving ECB with one channel
- Reliably and safely trips in the event of an overload and short circuit on the secondary side
- Switch-on capacity > 50,000 μF
- Enables the use of an economical, standard power supply
- Minimizes wiring via two voltage outputs and maximizes commoning options on both input and output sides (e.g., commoning of the output voltage on 857 and 2857 Series devices)
- Status signal – as single or group message
- Reset, switch on/off via remote input or local switch
- Prevents power supply overload due to total inrush current thanks to time-delayed switching on during interconnected operation

Data

Technical Data

Input

Nominal input voltage $U_{i \text{ nom}}$	DC 24 V
Input voltage range	DC 18 ... 30 V

Output

Total number of channels (module)	1
Nominal output voltage $U_{o \text{ nom}}$	1 x DC 24 V
Output voltage range	DC 18 ... 30 V (U_i – voltage drop)
Voltage drop	$\leq 160 \text{ mV}$
Nominal output current $I_{o \text{ nom}}$	1 x 1 / 2 / 3 / 4 / 5 / 6 / 7 / 8 A (adjustable)
Factory preset	DC 1 A; switched off
Trip time	4 ms ... 100 s (Load-dependent)



Switch-on capacity	> 50000 μ F per channel
Switch-on behavior	Time-delayed channel switching (load-dependent, min. 170 ms / max. 500 ms)
Active Current Limitation	no

Signaling and communication

Signaling	1 x LED status (green/yellow/rot/blue/violet) 1 x cntrol input 1 x active signal output (U_i , max. 4 mA)
Operation status indicator	LED green (channel OK) LED red (tripped channel)
Remote input	18 ... 30 VDC signal, switches on/off and resets the channel

Efficiency/Power losses:

Power loss P_v	≤ 0.3 W (no load)
Efficiency	98 %

Fuse protection:

Internal fuse	T 15 A
---------------	--------

Safety and protection:

Insulation voltage (connectors-housing)	DC 0.5 kV
Protection class	III
Protection class	IP20 (per EN 60529)
Reverse voltage protection	No
Transient protection, primary	Suppressor diode, 33 V
Parallel operation of single channels	Not permitted
Series connection	No
MTBF	1,262,142 h (per MIL-HDBK-217F2)

Connection data

Number of jumper slots	8
Connection technology	Push-in CAGE CLAMP®
WAGO terminal	WAGO 857 Series
Solid conductor	0.08 ... 2.5 mm ² / 28 ... 14 AWG
Fine-stranded conductor	0.34 ... 2.5 mm ² / 22 ... 14 AWG
Strip length	9 ... 10 mm / 0.35 ... 0.39 inch

Geometrical Data

Width	6 mm / 0.236 inch
Height from upper-edge of DIN-35 rail	97.8 mm / 3.85 inch
Depth	94 mm / 3.701 inch

Mechanical data

Type of mounting	DIN-35 rail (EN 60715)
------------------	------------------------

Material Data

Fire load	0 MJ
Weight	38.4 g

Environmental Requirements

Surrounding air (operating) temperature	-25 ... 70 °C (Derating must be observed)
Surrounding air (storage) temperature	-40 ... 85 °C
Relative humidity	10 ... 95 % (no condensation permissible)
Derating	See instruction manual
Pollution degree	2

Standards and specifications


Conformity marking	1
Standards/specifications	EN 61000-6-2; EN 61000-6-3; UL 61010-2-201* (*pending)

Commercial data

Country of origin	DE
GTIN	4055143693172
Customs Tariff No.	85363010900

Approvals / Certificates

UL-Approvals

Logo	Approval	Additional Approval Text	Certificate name
	UL Underwriters Laboratories Inc. (ORDINARY LOCATIONS)	UL 61010-2-201	E175199



Downloads

Documentation

Manual

Electronic Circuit Breaker 24 VDC / 1...8 A	V 1.3.0	pdf 1.9 MB	Download
--	---------	---------------	----------

Instruction Leaflet

Electronic Circuit Breaker	V 1.3.0	pdf 3.8 MB	Download
----------------------------	---------	---------------	----------

Additional Information

Disposal; Electrical and electronic equipment, Packaging	V 1.0.0	pdf 265.8 kB	Download
--	---------	-----------------	----------

CAD/CAE - Smart Data

CAD data

3D Download 787-2861/108-020		URL	Download
------------------------------	--	-----	----------

Subject to changes.