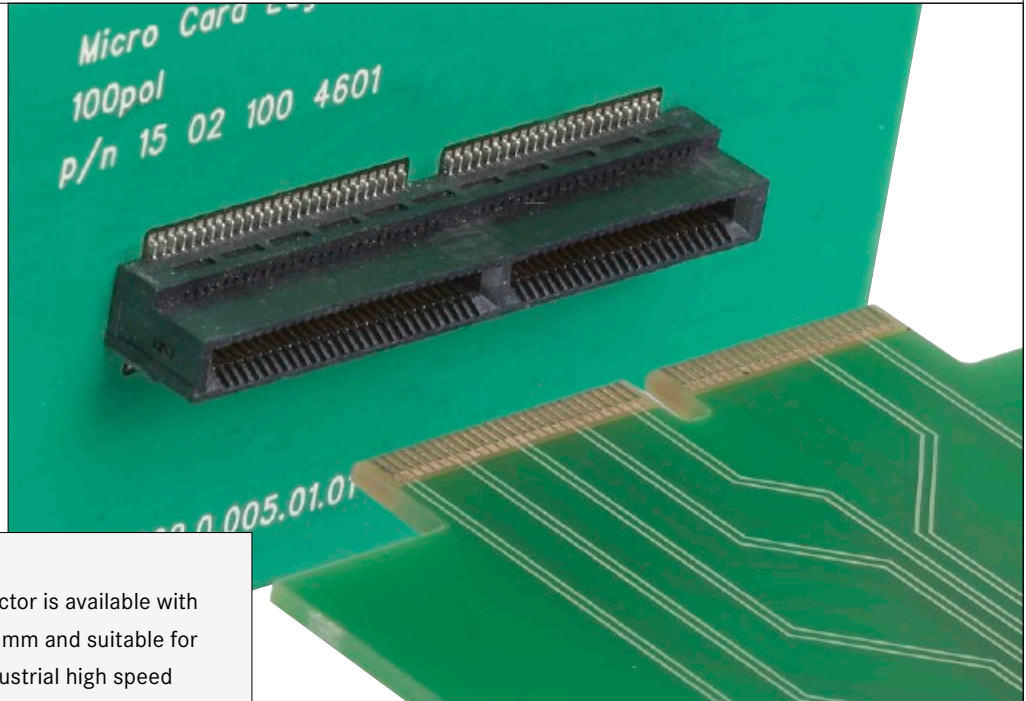


13. Micro Card Edge Connectors



The HARTING Micro Card Edge Connector is available with 40 and 100 contacts at a pitch of 0.8 mm and suitable for telecommunications, medical and industrial high speed applications with data rates up to 14 Gbps.

Application profile:

CONNECTION TYPE		ENVIRONMENT		APPLICATION						
Board to Board	Cable/Wire to Board	IP20	IP65 / IP67	Data	Signal	Power	high performance			
				Data transfer rate	Shielding	Number of contacts, contact density	Voltage, working current			
Cable termination			PCB termination			Application standard				
Han-Quick Lock®	IDC	Crimp	THT	SMC	SMT	SCSI				
Screw	Cage clamp	Axial screw	Press-in	Housing integration						
				Separate housing	Integrated housing					

Contents

Page

Micro Card Edge connector system – introduction	13.02
Technical characteristics, board dimensions	13.05
40pin connector	13.06
100pin connector	13.07

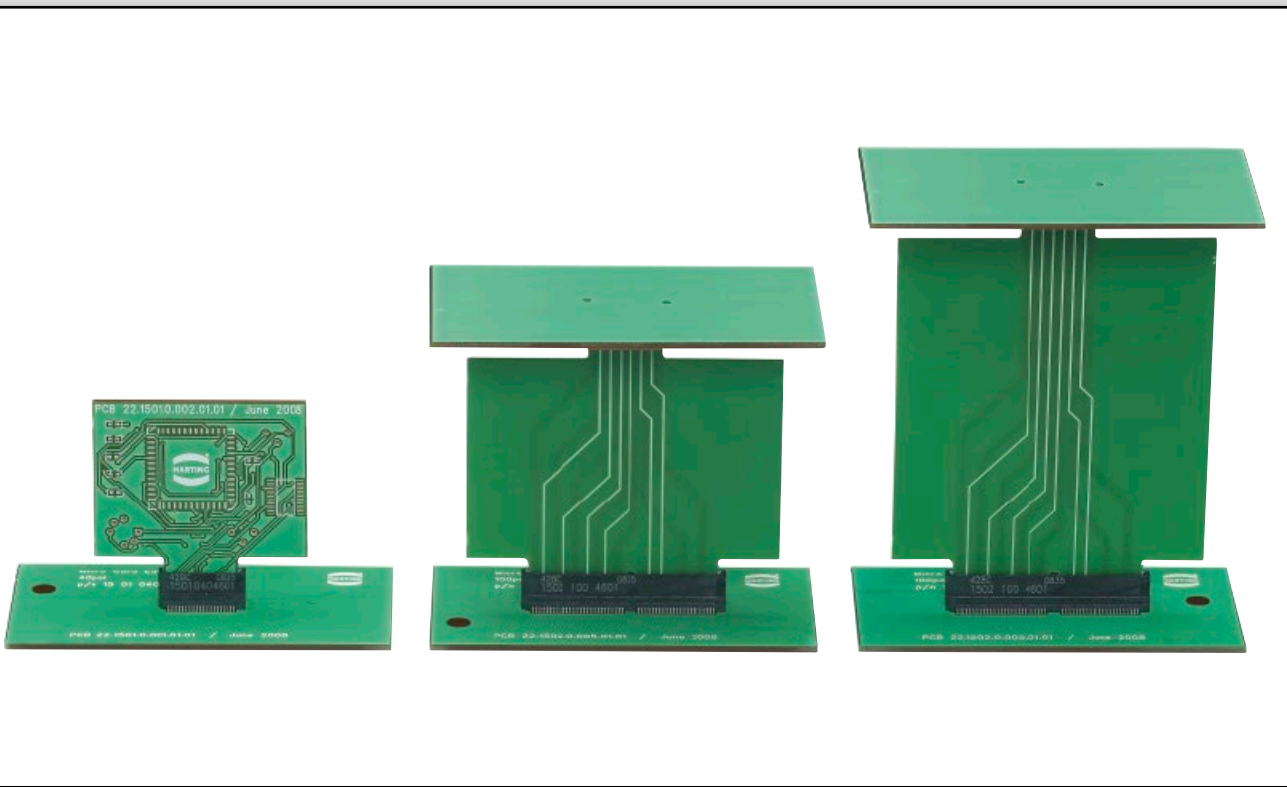
MICRO CARD EDGE CONNECTORS

HARTING offers the new Micro Card Edge Connector in surface-mounting technology for card gauges of 1.6 mm. It is suitable for board to board mezzanine as well as for small 'pluggable daughter card applications'. The key feature for mezzanine applications is the very flexible stacking height of parallel boards by utilizing a small board between the connectors. This gives flexibility in the mechanical design of the system.

The HARTING Micro Card Edge Connector is able to transfer data rates up to 14 Gbps, suitable for telecommunications, medical

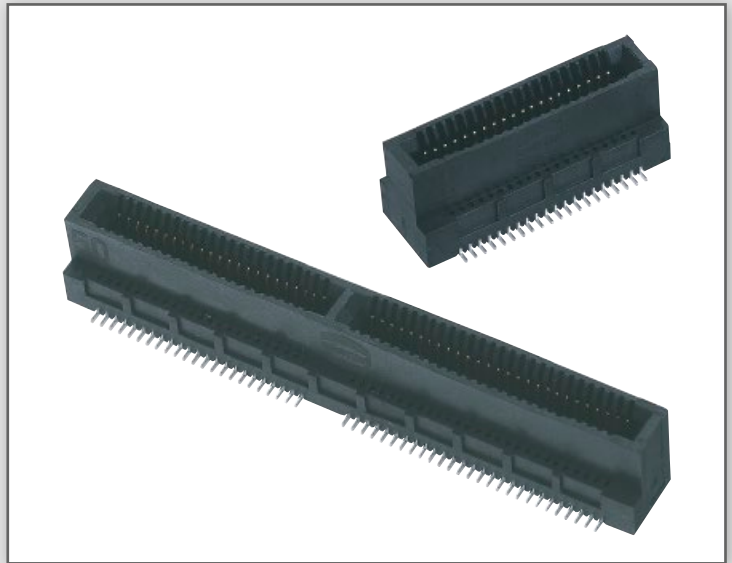
and industrial high speed applications. It is available with 40 and 100 contacts at a pitch of 0.8 mm. An extremely smooth contact surface achieved by high performance stamping tools and a special after - treatment ensures low insertion forces and a high contact reliability.

HARTING's Micro Card Edge Connector offers excellent manufacturing features like a tape & reel packaging with a pick & place pad for nozzle in high volume productions.



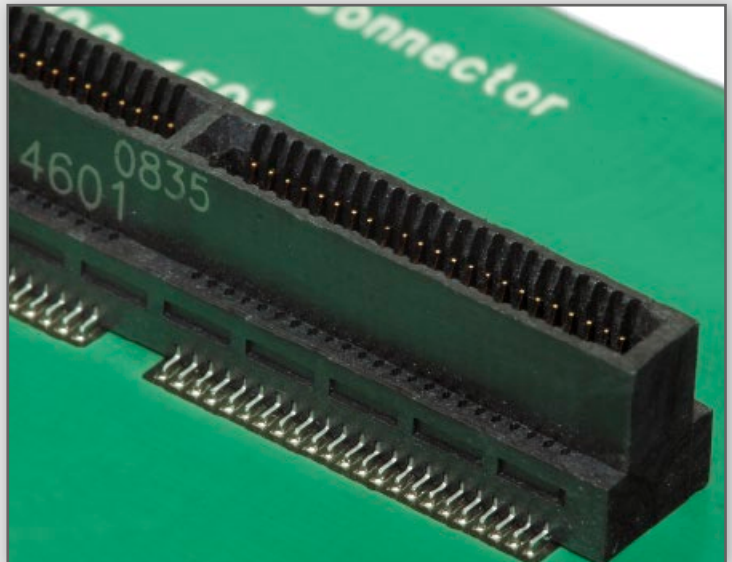
MCE

High speed data transmission up to 14 Gbps between mezzanine or daughter card boards in telecom, medical, datacom and industrial applications.

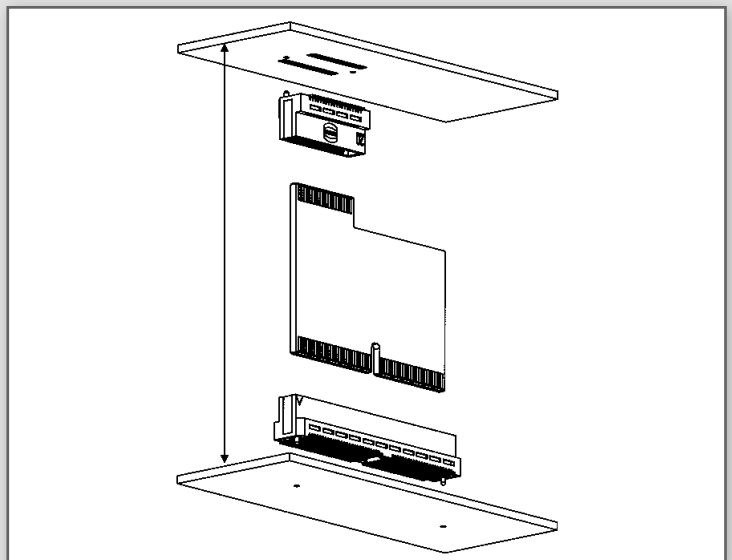


Excellent manufacturing features for high volume production

- SMT termination
- Tape & reel packaging with pick & place pad for nozzle



Flexible stacking height of parallel boards by utilizing a small board between the connectors.

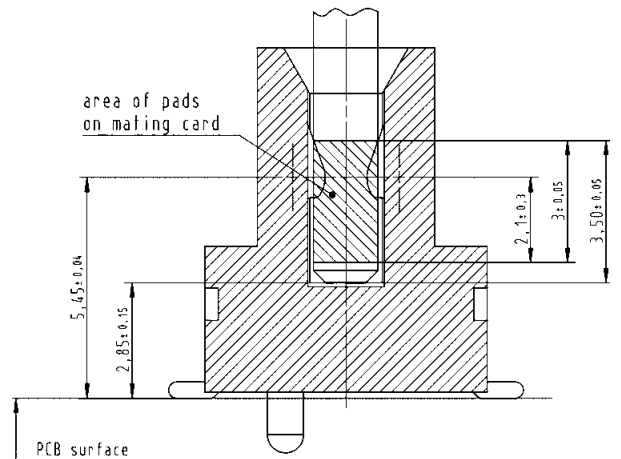
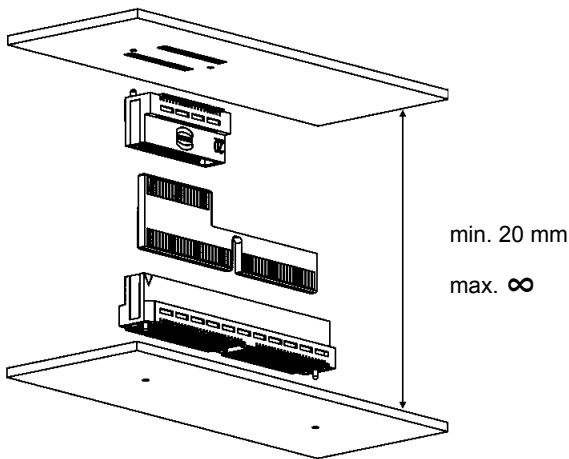




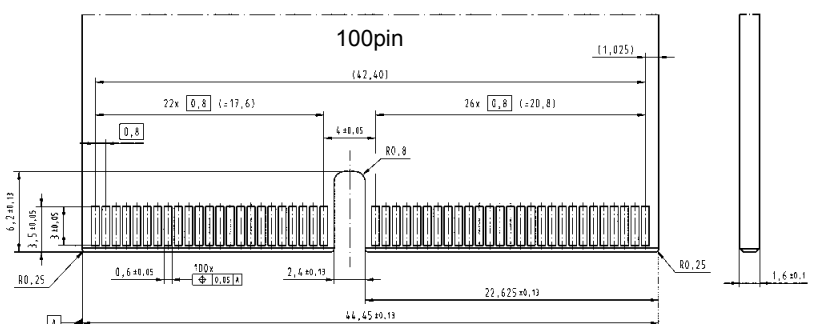
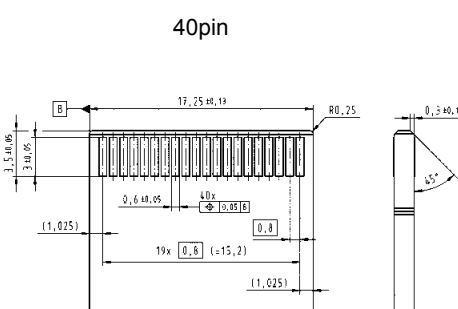
A large grid of graph paper for taking notes, consisting of approximately 30 columns and 35 rows of small squares.

Contact spacing	: 0.8 mm
Working current	: 1.7 A at 80 °C ambient
Test voltage	: 600 V AC
Mating cycles	: 200
Number of contacts	: 40, 100
Mating card thickness	: 1.6 + 0.1 mm
Operating temperature	: -55 °C ... +125 °C
Max processing temperature	: 230 °C for 60 sec. or 260 °C for 20 sec.
ROHS-compliance	: yes
Materials	
Mouldings	: LCP, glass-fibre filled, UL 94-V0
Contacts	: Copper alloy with Ni plating
Contact surface	
Contact zone	: Pd/Ni plating with Au flash
Termination zone	: Sn/Ni plating

Board dimensions



Recommended mating card layout





40pin connector

Identification	Number of contacts	Part number	Drawing	Dimensions in mm
Micro Card Edge connector 2800 pieces in a "Tape and Reel" packaging (14 reels with 200 pcs.)	40	15 01 040 4601 040		
200 pieces in a "Tape and Reel" packaging	40	15 01 040 4601 042		
Single connector sample	40	15 01 040 4601 333		
Board layout				
"Tape and Reel" packaging				
Reel dimensions				

MCE

Micro Card Edge connector

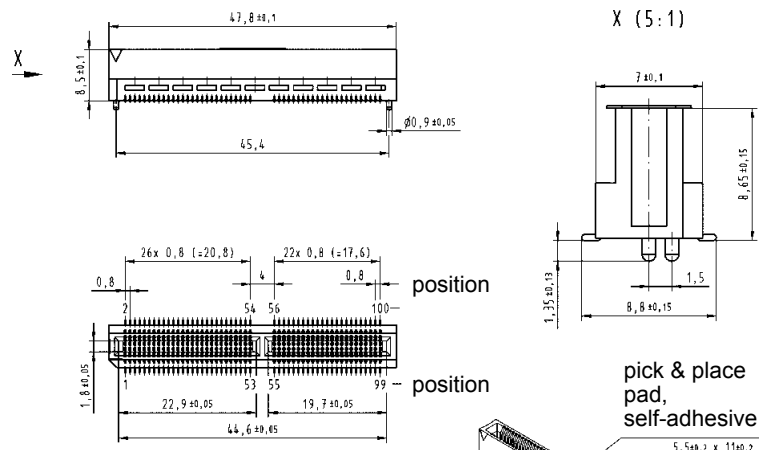


100pin connector

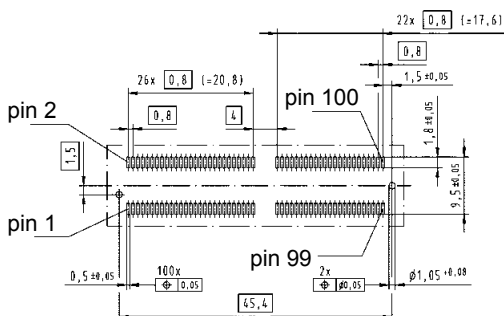
Identification	Number of contacts	Part number	Drawing	Dimensions in mm
----------------	--------------------	-------------	---------	------------------

Micro Card Edge connector
 1800 pieces in a "Tape and Reel" packaging (9 reels with 200 pcs.)
 200 pieces in a "Tape and Reel" packaging
 Single connector sample

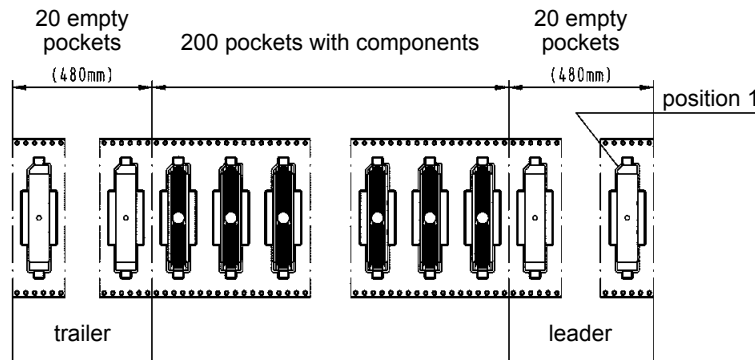
100	15 02 100 4601 040
100	15 02 100 4601 042
100	15 02 100 4601 333



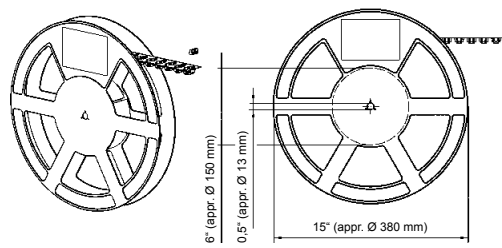
Board layout



"Tape and Reel" packaging



Reel dimensions



MCE