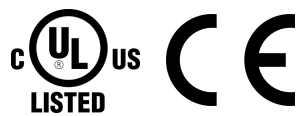


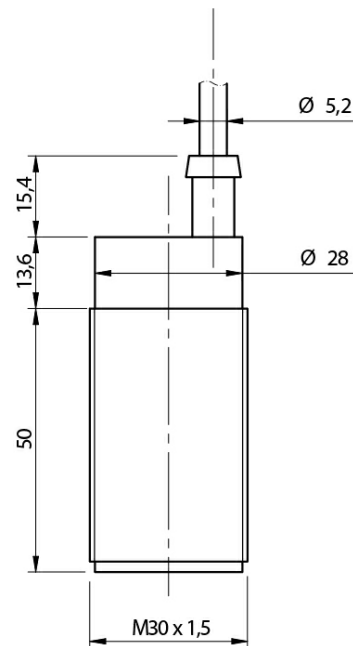


Indicative image



M30 CYLINDRICAL CAPACITIVE SENSORS

- DC or AC supply voltage
- High noise immunity
- Shielded and unshielded models
- Adjustable sensitivity
- Metallic or plastic housing



Detection properties

Nominal sensing distance	2...16mm
Thermal drift of Sr	< 20%
Repeat Accuracy	5%
Sensitivity adjustment	Yes
Hysteresis	≤ 20%

Outputs

Output type	SCR
Output Function	N0/NC selectable
Switching frequency	10Hz

Electrical data

Operating Voltage	20...250Vac/50-60Hz
No-Load supply current	≤ 12mA
Load current	2,5A max(20ms)
Leakage current	≤ 100μA

Output voltage drop	10VAC @ IL≥200mA
Max ripple content	≤10%
LED indicators	Yellow LED (object detected)
Time delay before availability	≤ 200ms
Short-circuit protection	Yes, autoreset
Reverse Polarity Protection	Yes
Impulsive Overvoltage Protection	Yes

Mechanical data

Mounting	Shielded
Dimensions	M30 / L = 79mm
Weight	180g
Housing Material	Polyester
Connections	2m PVC cable
Active Head Material	Polyester
Tightening torque	50Nm
Operating temperature	-25°C...+80°C (without freeze)
Storage temperature	-40°C...+85°C
Diameter/Dimension	M30

Test/Approvals

Approvals	CE cULus
EMC compatibility	IEC 60947-5-2
Shocks and vibrations	Vibration IEC 60068-2-6 / Shock IEC 60068-2-27
Degree of protection	IP67

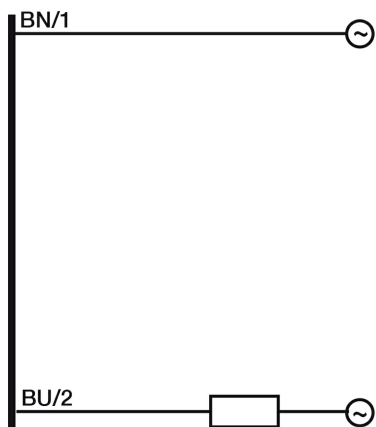
Accessories

Supplied Accessories	screw driver, 2 x M30 nuts
----------------------	----------------------------

General Data

Dimensions	M30 / L = 79mm
Operating Temperature	-25°C...+80°C (without freeze)
Mechanical Protection	IP67

ELECTRICAL DIAGRAMS OF THE CONNECTIONS



Datasensing S.r.l.

Strada S.Caterina, 235
41122 Modena (MO)
Tel. 059 420411
Fax 059 253973
E-mail info@datasensing.com

date of printing

29/05/2022 09:30:47