



Illuminated ring, LED, D=60mm, 24VAC/DC, yellow






**Part no.** M22-XPV60-Y-24  
**Catalog No.** 121477  
**Alternate Catalog No.** M22-XPV60-Y-24Q  
**EL-Nummer (Norway)** 4315255

**Delivery program**

Basic function accessories			LED-Luminous ring
			Three groups of 4 LEDs each (series-connected), can be actuated separately (e.g. for continuous light)
Diameter	d	mm	60 mm
Rated operational voltage	U <sub>e</sub>	V	24 V AC/DC
Degree of Protection			IP66, IP67, IP69
Connection to SmartWire-DT			no
<b>Notes</b>			
Yellow with yellow LEDs			
Engineering (circuit diagrams)			

**Technical data**

**General**

Degree of Protection			IP66, IP67, IP69
Ambient temperature			
Open		°C	-25 - +70
shipping classification			DNV GL LR
			  

**Design verification as per IEC/EN 61439**

Technical data for design verification			
Rated operational current for specified heat dissipation	I <sub>n</sub>	A	0
Heat dissipation per pole, current-dependent	P <sub>vid</sub>	W	0
Equipment heat dissipation, current-dependent	P <sub>vid</sub>	W	0
Static heat dissipation, non-current-dependent	P <sub>vs</sub>	W	0.9
Heat dissipation capacity	P <sub>diss</sub>	W	0
Operating ambient temperature min.		°C	-25
Operating ambient temperature max.		°C	70
IEC/EN 61439 design verification			
10.2 Strength of materials and parts			
10.2.2 Corrosion resistance			
10.2.3.1 Verification of thermal stability of enclosures			Meets the product standard's requirements.
10.2.3.2 Verification of resistance of insulating materials to normal heat			Meets the product standard's requirements.
10.2.3.3 Verification of resistance of insulating materials to abnormal heat and fire due to internal electric effects			Meets the product standard's requirements.
10.2.4 Resistance to ultra-violet (UV) radiation			Please enquire
10.2.5 Lifting			Does not apply, since the entire switchgear needs to be evaluated.
10.2.6 Mechanical impact			Does not apply, since the entire switchgear needs to be evaluated.

10.2.7 Inscriptions		Meets the product standard's requirements.
10.3 Degree of protection of ASSEMBLIES		Does not apply, since the entire switchgear needs to be evaluated.
10.4 Clearances and creepage distances		Meets the product standard's requirements.
10.5 Protection against electric shock		Does not apply, since the entire switchgear needs to be evaluated.
10.6 Incorporation of switching devices and components		Does not apply, since the entire switchgear needs to be evaluated.
10.7 Internal electrical circuits and connections		Is the panel builder's responsibility.
10.8 Connections for external conductors		Is the panel builder's responsibility.
10.9 Insulation properties		
10.9.2 Power-frequency electric strength		Is the panel builder's responsibility.
10.9.3 Impulse withstand voltage		Is the panel builder's responsibility.
10.9.4 Testing of enclosures made of insulating material		Is the panel builder's responsibility.
10.10 Temperature rise		The panel builder is responsible for the temperature rise calculation. Eaton will provide heat dissipation data for the devices.
10.11 Short-circuit rating		Is the panel builder's responsibility. The specifications for the switchgear must be observed.
10.12 Electromagnetic compatibility		Is the panel builder's responsibility. The specifications for the switchgear must be observed.
10.13 Mechanical function		The device meets the requirements, provided the information in the instruction leaflet (IL) is observed.

## Technical data ETIM 7.0

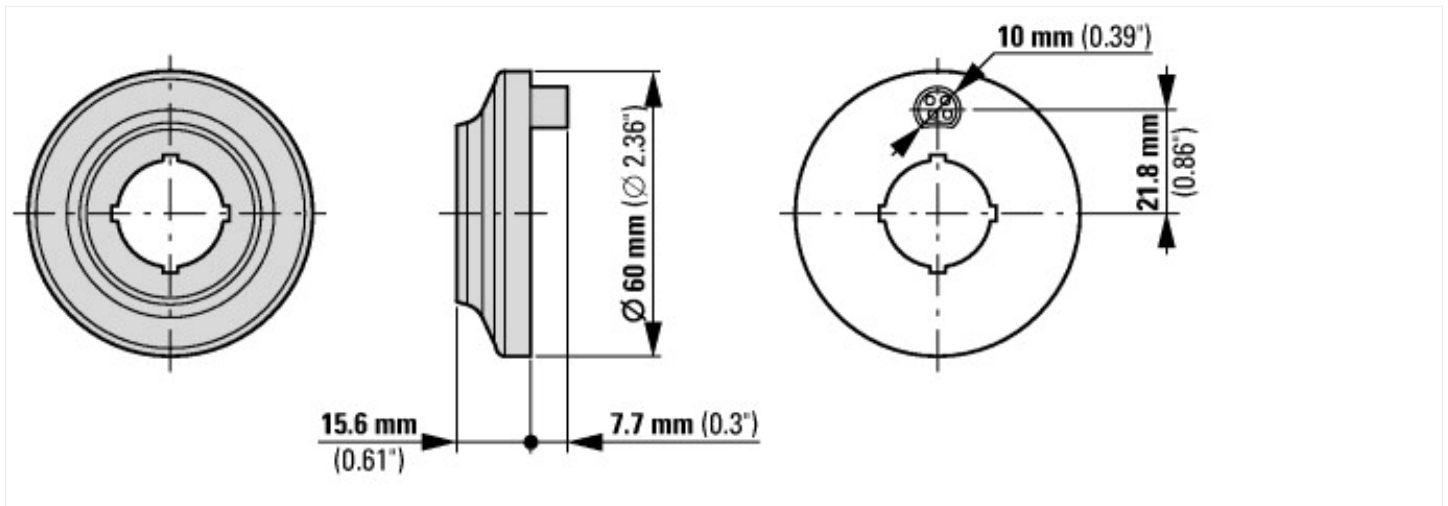
Low-voltage industrial components (EG000017) / Accessories for control circuit devices (EC002024)

Type of electrical accessory		Other
Type of mechanical accessory		Other

## Approvals

Product Standards		IEC/EN 60947-5; UL 508; CSA-C22.2 No. 14-05; CSA-C22.2 No. 94-91; CE marking
UL File No.		E340491
UL Category Control No.		NISD
CSA File No.		012528
CSA Class No.		3211-03
North America Certification		UL listed, CSA certified

## Dimensions



## Assets (links)

### Declaration of CE Conformity

00003255

### Instruction Leaflets

IL04716005Z2018\_07

## Additional product information (links)

IL04716005Z RMQ-Titan: Emergency-Stop buttons, Emergency-Switching-Off buttons

IL04716005Z RMQ-Titan: Emergency-Stop buttons, Emergency-Switching-Off buttons

[ftp://ftp.moeller.net/DOCUMENTATION/AWA\\_INSTRUCTIONS/IL04716005Z2019\\_05.pdf](ftp://ftp.moeller.net/DOCUMENTATION/AWA_INSTRUCTIONS/IL04716005Z2019_05.pdf)

