



Terminal block 1 pole, 250A, 11 output terminals

Part no. **BPZ-KB-11/250**
 Catalog No. **289967**

EL-Nummer **0002456091**
 (Norway)

Delivery program

Mounting type			Floor standing distribution board Surface mounted Flush mounted
Degree of Protection			IP20
Mounting position			universal
Number of poles			1 pole
Width		mm	44
Depth		mm	49
Height		mm	95
Number of clamping units per pole			12
Rated device current		A	250

Technical data

General

Standards			IEC 60 947 -7 -1 UL 1059
RoHS (in accordance with Directive 2002/95/EC of the European Parliament and Council)			conform
Heat deflection temperature		?C	100
UL 94 flame classification			V-0
Comparative tracking index		V	600
Degree of Protection			IP20
Assembly details			Clicks on DIN-rail or on base plate. Save time on wiring. Save 80% on space used. Modular construction, 1-4 pole Systems can be built with several blocks.

Electrical

IEC			
Max. electrical load / Cu		A	250
Max. operating voltage / Cu		V AC	1000
Max. operating voltage / Cu		V DC	1500
UL			
Max. electrical load / Cu		A	230
Max. operating voltage / Cu		V AC	600
CSA			
Max. electrical load / Cu		A	230
Max. operating voltage / Cu		V AC	600
Rated peak withstand current	I_{pk}	kA	51
Rated short-time withstand current (t=1s)	I_{cw}	kA	21

Material characteristics

Material			
Clamping body			Brass
Housing			PA66
Hexagon socket set screw			Steel
Surface finish			
Clamping body			Plain
Hexagon socket set screw			Zn-Plated
Colour			
Housing			grey, RAL 7035

Terminal capacity

Incomer		
single wire/multi wire	mm ²	35 - 120
single wire/multi wire	AWG	2 - 4/0
fine wire (with sleeve)	mm ²	35 - 95
fine wire (with sleeve)	AWG	2 - 3/0
Torque	N/m	19 - 21
Torque	lbf	168.1 - 185.8
Outgoings		
single wire/multi wire	mm ²	2.5 - 35 1.5 - 16 1.5 - 10
single wire/multi wire	AWG	14 - 2 16 - 6 16 - 8
fine wire (with sleeve)	mm ²	2.5 - 25 1.5 - 16 1.5 - 10
fine wire (with sleeve)	AWG	14 - 4 16 - 6 16 - 8
Torque	N/m	3.5 - 7 2 - 3 2 - 3
Torque	lbf	31 - 62 17.7 - 26.5 17.7 - 26.5

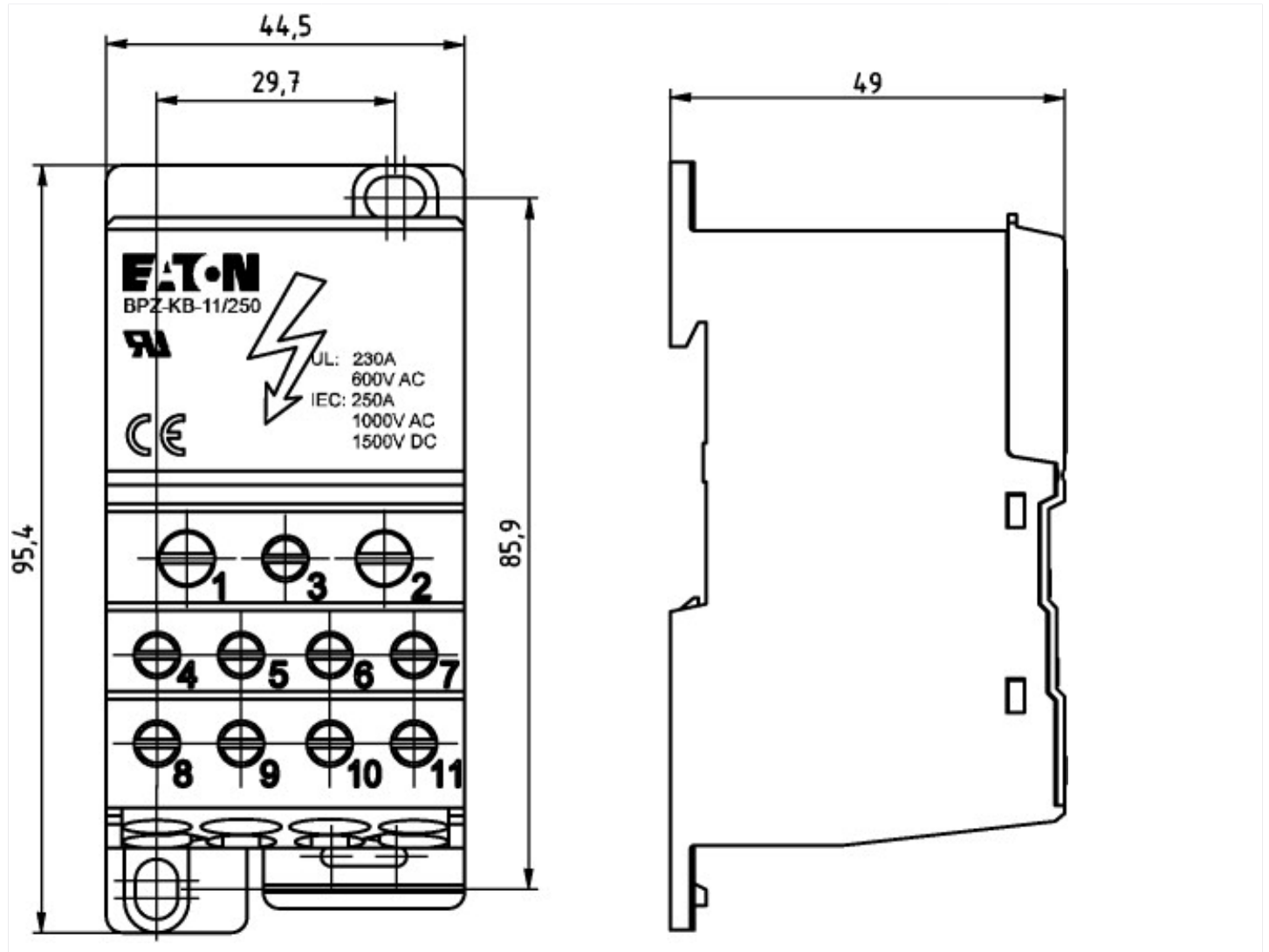
Technical data ETIM 7.0

Energy distribution systems (EG000015) / Distributor assembly terminal blocks (EC001894)

Electric engineering, automation, process control engineering / Electrical insulation and connecting material / Energy distribution system / Distributor assembly terminal blocks
(ecl@ss10.0.1-27-40-06-09 [AC0381011])

Height	mm	95.4
Width	mm	44.5
Depth	mm	49
Max. rated current	A	250
Number of poles		1
Conductor cross section flexible (fine-strand) with cable end sleeve	mm ²	1.5 - 120
Conductor cross section solid (solid, stranded)	mm ²	1.5 - 120
Number of clamp positions per pole		12
With PE-rail		No
With N-rail		No

Dimensions



Additional product information (links)

Product overview (Web)

<http://www.eaton.eu/Europe/Electrical/ProductsServices>