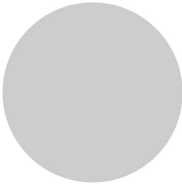




Surface mounting enclosure, flat, 4 mounting locations, M22

Part no. **M22-FI4**
Catalog No. **197234**

Delivery program

| | | | |
|------------------------------|--|------|--|
| Basic function accessories | | | Surface mounting enclosure |
| Housing | | | Insulated material |
| | | | With high-grade steel screws |
| Number of locations | | Qty. | 4 |
| Cable entry knockouts | | | |
| Cable entry | | | rear: 1 x M20 lateral: 2 x M20 (1 x each side) |
| Degree of Protection | | | IP66, IP67, IP69 |
| Impact resistance | | | IK06 according to EN 50102 |
| Colour | | | |
| | | |  |
| RAL Value | | | RAL 7035 |
| Colour | | | Enclosure base anthracite |
| Connection to SmartWire-DT | | | no |
| For use with | | | 4 x Ø 22.5 |
| For use with | | | (Illuminated) pushbuttons (Illuminated) selector switches Key-operated pushbuttons Indicator light EMERGENCY-STOP/EMERGENCY OFF buttons with yellow label Flat rear contact elements M22-FK... Flat Rear LED elements M22-FLED-... |

Technical data

| | | | |
|----------------------|--|----|------------------|
| General | | | |
| Degree of Protection | | | IP66, IP67, IP69 |
| Ambient temperature | | | |
| Open | | °C | -25 - +70 |

Design verification as per IEC/EN 61439

| | | |
|--|----|----------------------------|
| Technical data for design verification | | |
| Operating ambient temperature min. | °C | -25 |
| Operating ambient temperature max. | °C | 70 |
| Impact resistance | | IK06 according to EN 50102 |

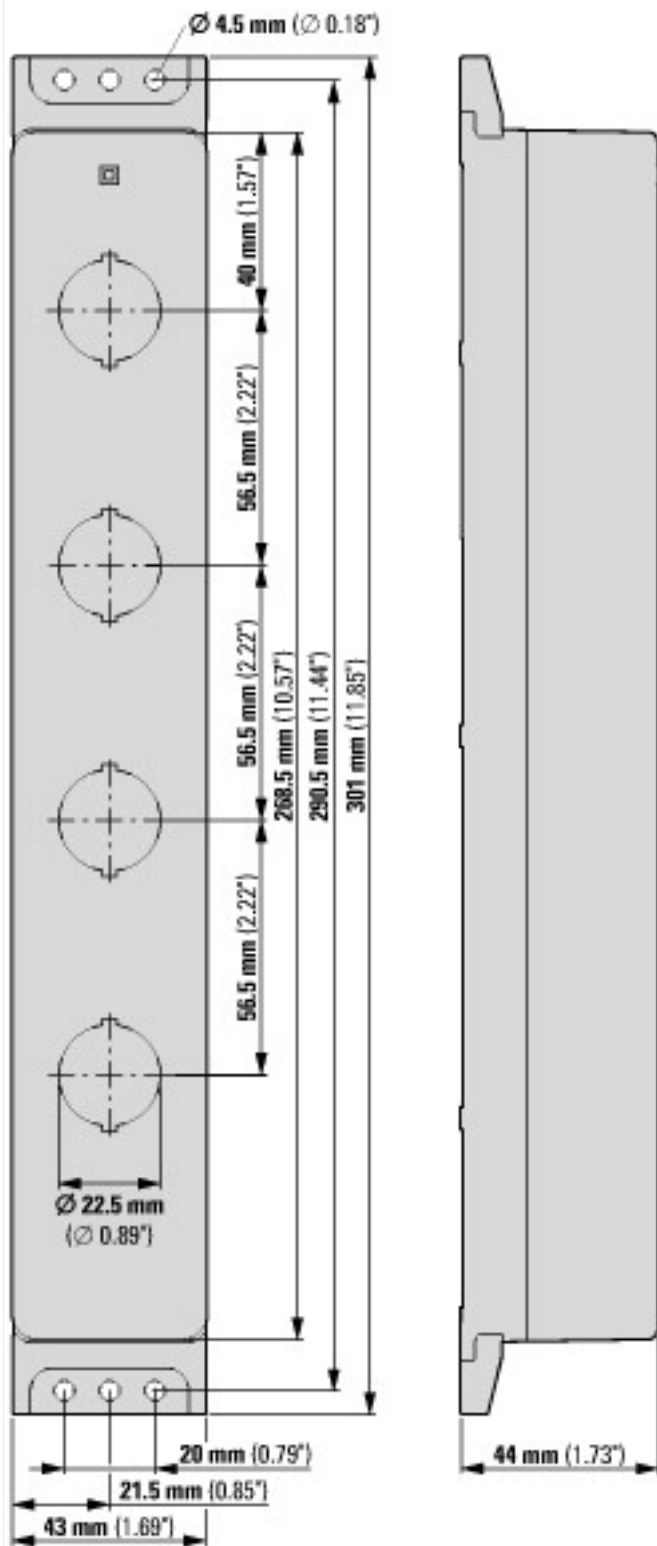
Technical data ETIM 7.0

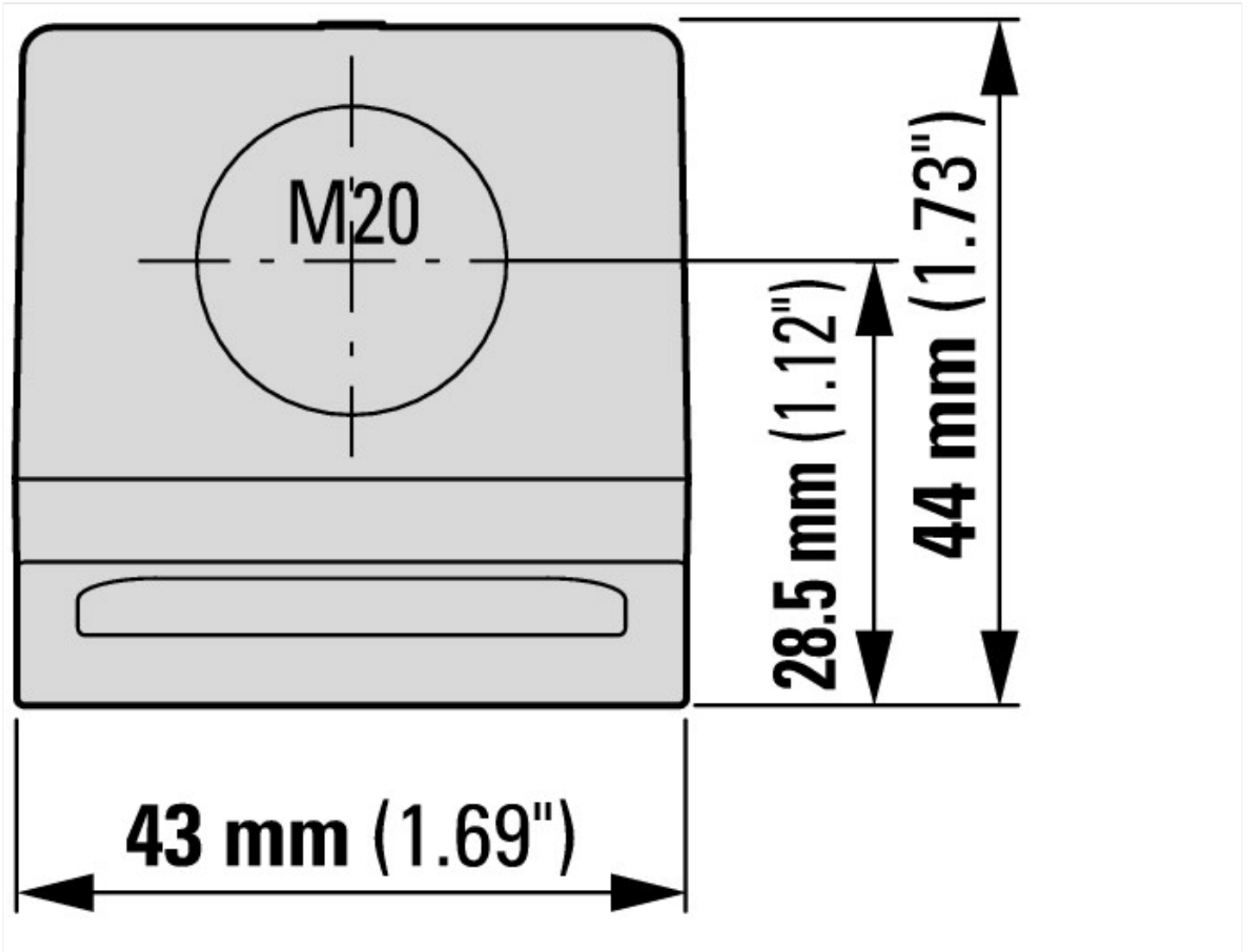
| | | |
|---|----|--------------------------|
| Low-voltage industrial components (EG000017) / Enclosure for control circuit devices (EC000200) | | |
| Electric engineering, automation, process control engineering / Low-voltage switch technology / Command and alarm device / Housing for command and alarm devices (ec1@ss10.0.1-27-37-12-05 [AKF023014]) | | |
| Number of command positions | | 4 |
| Construction type housing | | Surface mounting housing |
| Material housing | | Plastic |
| Material quality housing | | Other |
| Diameter openings | mm | 22.5 |
| Colour housing cover | | Grey |
| Degree of protection (IP) | | IP67/IP69K |
| Degree of protection (NEMA) | | Other |
| Width | mm | 43 |
| Height | mm | 301 |
| Depth | mm | 44 |

Approvals

| | | |
|-----------------------------|--|--|
| Product Standards | | IEC/EN 60947-5; UL 508; CSA-C22.2 No. 14-05; CSA-C22.2 No. 94-91; CE marking |
| UL File No. | | E29184 |
| UL Category Control No. | | NKCR |
| CSA File No. | | 012528 |
| CSA Class No. | | 3211-03 |
| North America Certification | | UL listed, CSA certified |
| Degree of Protection | | UL/CSA Type 1, 4X Indoor |

Dimensions





Additional product information (links)

IL047023ZU RMQ-Titan: Flat enclosure

IL047023ZU RMQ-Titan: Flat enclosure

ftp://ftp.moeller.net/DOCUMENTATION/AWA_INSTRUCTIONS/IL047023ZU2018_07.pdf