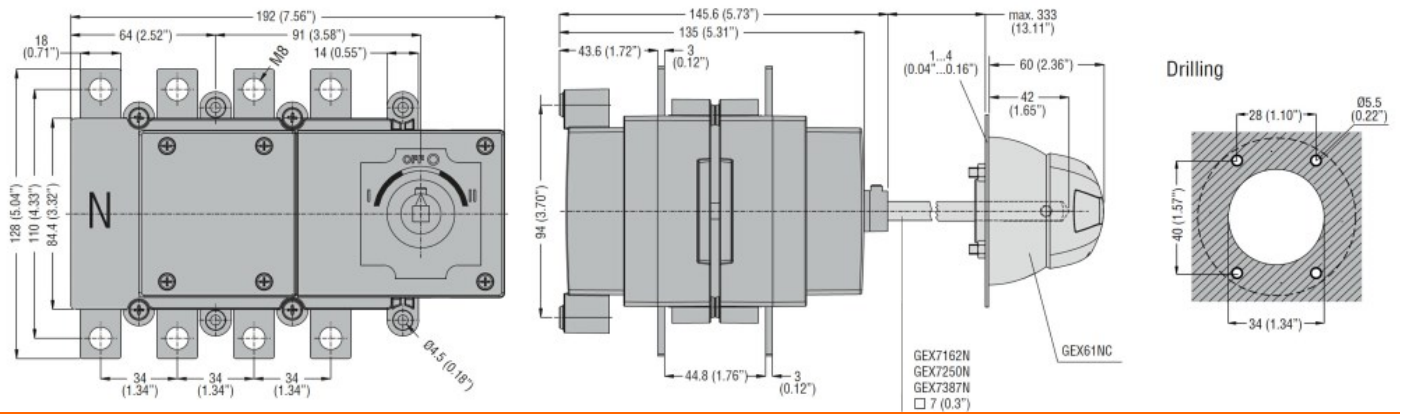




Product designation	Changeover switch		
Product type designation	GE		
Number of poles	nr.	4	
Operating voltage type		AC	
Electrical features			
Conventional free air thermal current I _{th}	A	160	
Rated insulation voltage U _i	V	1000	
Rated impulse withstand voltage U _{imp}	kV	8	
Operating current			
	AC21A 400V	A	160
	AC21A 500V	A	160
	AC21A 690V	A	160
	AC22A 400V	A	160
	AC22A 500V	A	160
	AC22A 690V	A	125
	AC23A 400V	A	160
	AC23A 500V	A	125
Power dissipation per pole max	W	4	
Rated operational power AC23A			
	400V	kW	89
	690V	kW	76
Rated short time current (1s) I _{cs} (rms)	A	7000	
Conditional short-circuit current (rms)	kA	100	
Short circuit protection with fuse		gG160	
Making capacity AC23A 400V	A	1600	
Operations			
Mechanical life	Cycles	30000	
Electrical life AC21A	Cycles	1000 (AC23A 400V)	
Ambient conditions			
Operating temperature			
	min	°C	-25
	max	°C	55
Storage temperature			
	min	°C	-40
	max	°C	70
Max altitude	m	3000	
Mechanical features			
Operating position		normal allowable	Vertical plan Any
Mounting			Screw
Terminals	type	Bar	

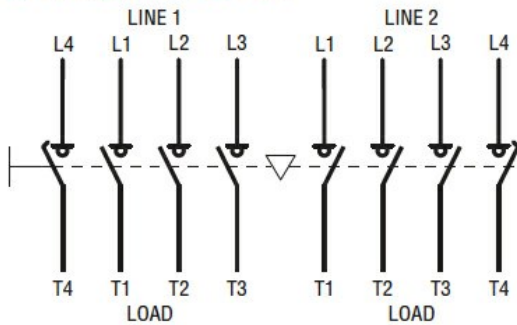
	screw	M8
Tightening torque for terminals	max	Nm 13
	max	lbft 10
Bar dimensions max		18x3
Frontal IP degree		IP20
Pollution degree		3

Dimensions



Wiring diagrams

Four-pole switches
GE0160 ET4 - GE0200 ET4



Certifications and compliance

Compliance

IEC/EN 60947-1
IEC/EN 60947-3

Certifications

EAC