

Contents	Page
Modules and monoblocks for Han-Eco® Modular .....	<b>29.3</b>
Han-Eco® Modular for industrial applications .....	<b>29.7</b>
Han-Eco® Modular for outdoor applications.....	<b>29.20</b>
Han-Eco® A for industrial applications .....	<b>29.33</b>
Han-Eco® A for outdoor applications.....	<b>29.40</b>
Han-Eco® B for industrial applications .....	<b>29.47</b>
Han-Eco® B for outdoor applications .....	<b>29.73</b>
Accessories .....	<b>29.97</b>

**Han-Eco® Modular**  
19 41 xxx xxxx



**Han-Eco® A**  
19 46 xxx xxxx



**Han-Eco® B**  
19 43 xxx xxxx



The Han-Eco® B series is a new series of hoods and housings in the Han-Eco® portfolio that comes in sizes 6B – 24B. This series is completely compatible with the Han® B industrial standard. Standard inserts and modules in conjunction with the hinged frames from the Han-Modular® portfolio may be used.

**Highlights Han-Eco® B**



Backwards compatibility with the Han® B metal hoods and housings



Rear mounting for the inserts enables faster installation



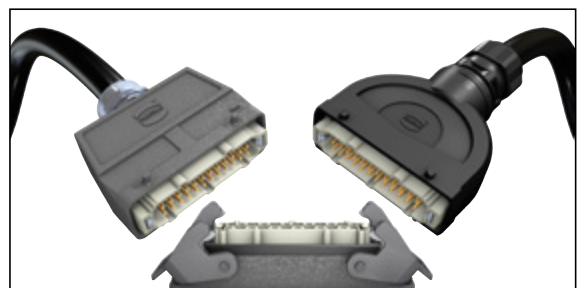
Minimal weight with excellent mechanical robustness












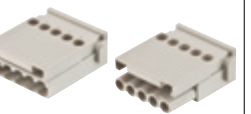
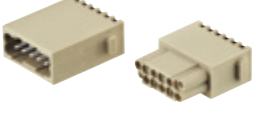
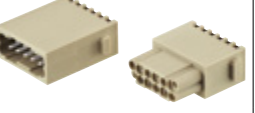


Outdoor variant is available for more extreme environmental conditions

















"Click and mate" installation ensures secure assembly



70 - 100 A		Han® 100 A Axial module	Han® 100 A Crimp module	Han® 100 A Single module	Han® 70 A Crimp module
					
	Number of contacts	2*	2*	1	2
	Electrical data	100 A / 1000 V	100 A / 1000 V	100 A / 830 V	70 A / 1000 V
	Termination type	Axial screw termination	Crimp termination	Crimp termination	Crimp termination
	Cross-section	16 ... 35 mm <sup>2</sup>	10 ... 35 mm <sup>2</sup>	10 ... 35 mm <sup>2</sup>	6 ... 25 mm <sup>2</sup>
	Male module (M)	09 14 002 2651	09 14 002 3051	09 14 001 3031	09 14 002 3041
	Female module (F)	09 14 002 2751	09 14 002 3151	09 14 001 3131	09 14 002 3141
40 - 70 A		Han® 70 A Axial module	Han® 70 A Hybrid module	Han® 40 A Axial module	Han® C Axial module
					
	Number of contacts	2	1 + (4 x Han E®)	2	3
	Electrical data	70 A / 1000 V	70 A / 1000 V	40 A / 1000 V	40 A / 690 V
	Termination type	Axial screw termination	Axial screw termination	Axial screw termination	Axial screw termination
	Cross-section	14 ... 22 mm <sup>2</sup>	14 ... 22 mm <sup>2</sup>	6 ... 10 mm <sup>2</sup>	6 ... 10 mm <sup>2</sup>
	Male module (M)	09 14 002 2647	09 14 005 2647	09 14 002 2602	09 14 003 2602
	Female module (F)	09 14 002 2742	09 14 005 2742	09 14 002 2702	09 14 003 2702
16 A		Han E® Quick Lock module	Han® EE Quick Lock module	Han® ES module	Han E® screw module
					
	Number of contacts	6	8	5	5
	Electrical data	16 A / 500 V	16 A / 400 V	16 A / 400 V	16 A / 230/400 V
	Termination type	Quick Lock termination	Quick Lock termination	Cage clamp termination	Screw termination
	Cross-section	0.5 ... 2.5 mm <sup>2</sup>	0.5 ... 2.5 mm <sup>2</sup>	0.14 ... 2.5 mm <sup>2</sup>	0.5 ... 2.5 mm <sup>2</sup>
	Male module (M)	09 14 006 2633	09 14 008 2633	09 14 005 2616	09 14 005 2601
	Female module (F)	09 14 006 2733	09 14 008 2733	09 14 005 2716	09 14 005 2701
≤ 10 A		Han DD® Quick Lock module	Han DD® Quick Lock module		
					
	Number of contacts	12, silver plated	12, gold plated		
	Electrical data	10 A / 250 V	10 A / 250 V		
	Termination type	Quick Lock termination	Quick Lock termination		
	Cross-section	0.25 ... 1.5 mm <sup>2</sup>	0.25 ... 1.5 mm <sup>2</sup>		
Male module (M)	09 14 012 2632	09 14 012 2634			
Female module (F)	09 14 012 2732	09 14 012 2734			

\* Double module, requires two places in the frame

Han Eco

40 A		<b>Han® A Crimp module</b>	<b>Han® C module</b>	<b>Han® CC module</b>	<b>Han® CD module</b>
					
	Number of contacts	2	3	4	3 + 4
	Electrical data	40 A / 1000 V	40 A / 690 V	40 A / 830 V	40 A + 10 A / 830 V
	Cross-section	1.5 ... 10 mm <sup>2</sup>	1.5 ... 6 mm <sup>2</sup>	1.5 ... 6 mm <sup>2</sup>	0.14 ... 6 mm <sup>2</sup>
Termination type	Crimp termination, Han® C				
Male module (M)	09 14 002 3002	09 14 003 3001	09 14 004 3041	09 14 007 3001	
Female module (F)	09 14 002 3102	09 14 003 3101	09 14 004 3141	09 14 007 3101	
16 A		<b>Han E® module</b>	<b>Han® EE module</b>	<b>Han® EEE module</b>	<b>Han E® Protected module</b>
					
	Number of contacts	6	8	20*	6
	Electrical data	16 A / 500 V	16 A / 400 V	16 A / 500 V	16 A / 830 V
	Cross-section	0.14 ... 4 mm <sup>2</sup>	0.14 ... 4 mm <sup>2</sup>	0.14 ... 4 mm <sup>2</sup>	0.14 ... 4 mm <sup>2</sup>
Termination type	Crimp termination, Han E®				
Male module (M)	09 14 006 3001	09 14 008 3001	09 14 020 3001	09 14 006 3041	
Female module (F)	09 14 006 3101	09 14 008 3101	09 14 020 3101	09 14 006 3141	
≤ 10 A		<b>Han DD® module</b>	<b>Han® DDD module</b>	<b>Han DD® Quad module</b>	
					
	Number of contacts	12	17	25	
	Electrical data	10 A / 250 V	10 A / 150 V	4 A / 50 V	
	Cross-section	0.14 ... 2.5 mm <sup>2</sup>	0.14 ... 2.5 mm <sup>2</sup>	0.08 ... 0.52 mm <sup>2</sup>	
Termination type	Crimp termination, Han D®				
Male module (M)	09 14 012 3002	09 14 017 3001	09 14 025 3001		
Female module (F)	09 14 012 3102	09 14 017 3101	09 14 025 3101		
High voltage		<b>Han® HV module 40 A</b>	<b>Han® HV module 16 A</b>	<b>Han® HV Single module</b>	
					
	Number of contacts	2*	2*	2	
	Electrical data	40 A / 2900/5000 V	16 A / 2900/5000 V	16 A / 2500 V	
	Cross-section	1.5 ... 10 mm <sup>2</sup>	0.14 ... 4 mm <sup>2</sup>	0.14 ... 4 mm <sup>2</sup>	
Termination type	Crimp termination, Han E®				
Male module (M)	09 14 002 3023	09 14 002 3021	09 14 002 3025		
Female module (F)	09 14 002 3123	09 14 002 3121	09 14 002 3125		

\* Double module, requires two places in the frame

# Modules and monoblocks for Han-Eco® Modular



Han Eco

Han® RJ45 modules	Han® RJ45 module	for patch cable	for IDC	for patch cable	for IDC and preLink
	- 8 contacts - Cat. 6 <sub>A</sub> - 10 Gbit/s				
	Part numbers	Male module (M) 09 14 001 4623	Male module (M) 09 14 001 4623	Female module (F) 09 14 001 4721	Female module (F) 09 14 001 4722
		Adapter for patch cables: 09 14 000 9966	RJ Industrial IDC: 09 45 400 1560	-	RJ45 female IDC: 09 14 545 1561
	Patch cable cat. 6: 09 47 474 71xx	-	-	RJ45 female preLink: 09 14 008 4720	
Han-Quintax® modules	Quintax module	Han-Quintax®	Han® High Density Quintax	Han D® Coax	Han E® Coax
	Number of contacts	2 x 4*	2 x 8*	2 x Coax*	2 x Coax*
	Male module (M)	09 14 002 3001	09 14 002 3001	09 14 002 3001	09 14 002 3001
	Female module (F)	09 14 002 3101	09 14 002 3101	09 14 002 3101	09 14 002 3101
	Insert (Cable Ø ≤ 9.5 mm)				
	Data rate	100 Mbit/s (Cat. 5e)	100 Mbit/s (Cat. 5e)	≤ 500 Mhz / 75 Ω	≤ 500 Mhz / 50 Ω
	Electrical data	10 A / 50 V	5 A / 50 V	10 A / 50 V	16 A / 50 V
	Cross-section	0.14 ... 2.5 mm <sup>2</sup>	0.09 ... 0.52 mm <sup>2</sup>	0.14 ... 2.5 mm <sup>2</sup>	0.14 ... 4 mm <sup>2</sup>
	Termination type	Crimp termination, Han D®		Crimp termination, Han D®	Crimp termination, Han E®
	Male insert (M)	09 15 004 3013	09 15 008 3013	09 15 001 3013	09 15 001 3023
Female insert (F)	09 15 004 3113	09 15 008 3113	09 15 001 3113	09 15 001 3123	
PE shielding termination	Optional shielding termination to the hinged frame with the aid of Han-Quintax® metal adapter 09 14 000 9915				
Han® GigaBit – Han® MegaBit modules	Adapter Modul	Han® GigaBit module	Han® MegaBit module	Han® MegaBit module with 1 cable entry	Han® Shielded module
	Male module (M)	09 14 001 3011	09 14 001 3011	09 14 001 3011	09 14 001 3011
	Female module (F)	09 14 001 3111	09 14 001 3111	09 14 001 3111	09 14 001 3111
	Insert (Cable Ø ≤ 14 mm)				
	Number of contacts	8	2 x 4	8	20
	Data rate	10 Gbit/s (Cat. 6 <sub>A</sub> )	2 x 100 Mbit/s (Cat. 5e)	1 Gbit/s (Cat. 5e)	
	Electrical data	5 A / 50 V	10 A / 50 V	10 A / 50 V	4 A / 32 V
	Cross-section	0.09 ... 0.52 mm <sup>2</sup>	0.14 ... 2.5 mm <sup>2</sup>	0.14 ... 2.5 mm <sup>2</sup>	0.09 ... 0.52 mm <sup>2</sup>
	Termination type	Crimp termination, D-Sub	Crimp termination, Han D®	Crimp termination, Han D®	Crimp termination, D-Sub
	Shielding termination	Crimp flange	2 x crimp flange	Crimp flange	Crimp flange
Male insert (M)	09 14 008 3011	09 14 008 3016	09 14 008 3021	09 14 020 3013	
Female insert (F)	09 14 008 3111	09 14 008 3116	09 14 008 3121	09 14 020 3113	
	with PE shielding termination	with PE shielding termination	with PE shielding termination	-	
Male insert (M)	09 14 008 3012	09 14 008 3017	09 14 008 3022		
Female insert (F)	09 14 008 3112	09 14 008 3117	09 14 008 3122		
Serial Bus modules		Han D-Sub module	Han® USB module	Han® FireWire module	
	Number of contacts	9 + shielding	8	6	
	Datenrate	12 Mbit/s (Profibus)	5 Gbit/s (USB 3.0)	400 Mbit/s (IEEE 1394a)	
	Electrical data	5 A / 50 V	1 A / 50 V	1 A / 50 V	
	Cross-section	0.09 ... 0.52 mm <sup>2</sup>			
Termination type	Crimp termination, D-Sub	USB patch cable	FireWire patch cable		
Male module (M)	09 14 009 3001	09 14 001 4601	09 14 001 4611		
Female module (F)	09 14 009 3101	09 14 001 4703	09 14 001 4711		

\* Double module, requires two places in the frame

For more technical details see chapter 06

Removal tools 09 99 000 0331, 09 99 000 0828 and 09 99 000 0842 see chapter 90

\* Take care of the wiring space! Choose inner positions.

Han Eco

	Han® SC module	Han® Multi module	Han® Multi module
Number of contacts	4	4	12*
Male module (M)	09 14 004 4701	09 14 004 4501	09 14 012 4501
Female module (F)	09 14 004 4713	09 14 004 4512	09 14 012 4512
Contacts			
1 mm POF	20 10 001 5211	Male: 20 10 001 4211 Female: 20 10 001 4221	Male: 20 10 001 4211 Female: 20 10 001 4221
1 mm POF Fast assembly termination	20 10 001 5217		
SI-Fibre 200 / 230 µm Multi-Mode	20 10 230 5211	Male: 20 10 230 4211 Female: 20 10 230 4221	Male: 20 10 230 4211 Female: 20 10 230 4221
GI-Fibre 50-62.5 / 125 µm Multi-Mode	20 10 125 5211	Male: 20 10 125 4212 Female: 20 10 125 4222	Male: 20 10 125 4212 Female: 20 10 125 4222

	Han-Eco® PE module	Han® Dummy module
Field of application	for Han-Eco® hoods/housings only	to fill-up empty module places
Number of contacts	1 x PE	
Electrical data		
Cross-section	1.5 ... 16 mm <sup>2</sup>	
Termination type	Screw termination	
Male module (M)	19 41 001 2600	09 14 000 9950
Female module (F)	19 41 001 2700	

\* Double module, requires two places in the frame

	6 B	10 B	16 B	24 B
Number of contacts	10	14	20	28
Electrical data	16 A / 500 V	16 A / 500 V	16 A / 500 V	16 A / 500 V
Cross section	0.75 ... 2.5 mm <sup>2</sup>	0.75 ... 2.5 mm <sup>2</sup>	0.75 ... 2.5 mm <sup>2</sup>	0.75 ... 2.5 mm <sup>2</sup>
Termination type	Screw termination	Screw termination	Screw termination	Screw termination
Male	19 41 010 2601	19 41 014 2601	19 41 020 2601	19 41 028 2601
Female	19 41 010 2701	19 41 014 2701	19 41 020 2701	19 41 028 2701

## Features

- With integrated cable gland
- Optional PE contact module to hold the protective ground conductor
- Suitable for applications according to protection class II

## Technical characteristics

Limiting temperature	-40 ... +125 °C
Degree of protection acc. to IEC 60529	IP65
Material (hood/housing)	Polyamide, Fibre-glass reinforced
Colour (hood/housing)	RAL 9005 (jet black)
Material (seal)	NBR
Colour (seal)	RAL 9005 (jet black)
Material (locking)	Polyamide, Fibre-glass reinforced
Colour (locking)	RAL 9005 (jet black)
Material flammability class acc. to UL 94	V-0
Material flammability class acc. to UL 94 (locking levers)	V-0
RoHS	compliant

## Specifications and approvals


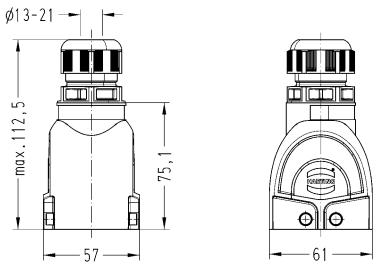

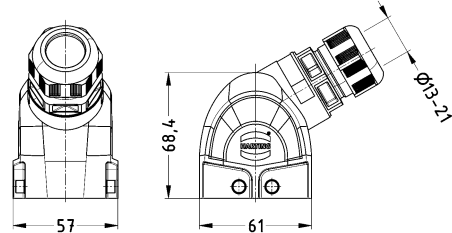

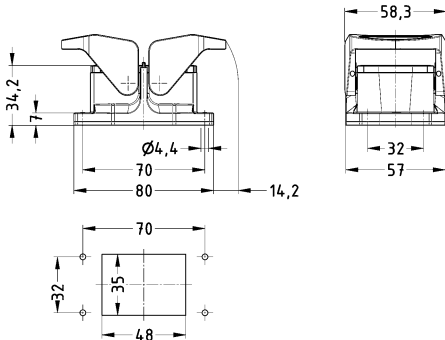
IEC 61984  
 EN 45545-2  
 R22: HL1, HL2, HL3  
 R23: HL1, HL2, HL3  
 R24: HL1, HL2, HL3  
 UL 1977 ECBT2.E235076  
 CSA-C22.2 No. 182.3 ECBT8.E235076

## Details


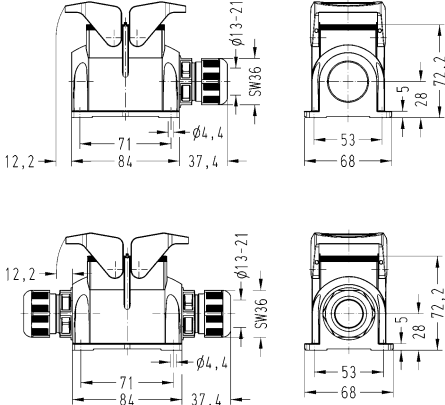

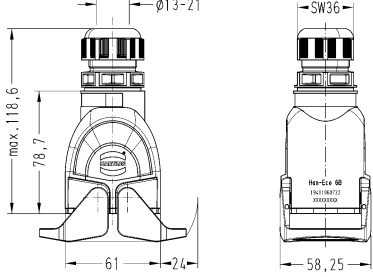

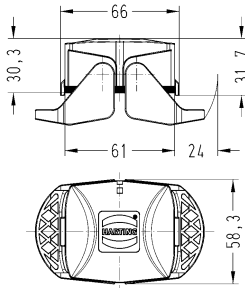

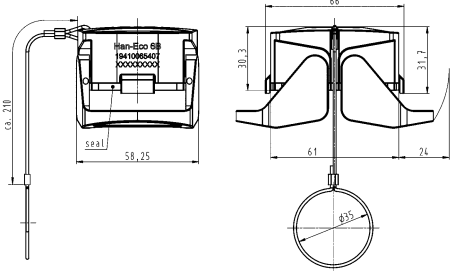
Assembly dimensions are identical for the Han® B bulkhead mounted housings - not mating compatible with the hoods and housings of the series Han® B.

Double locking lever

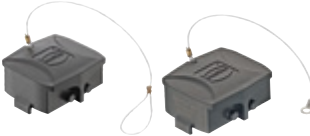
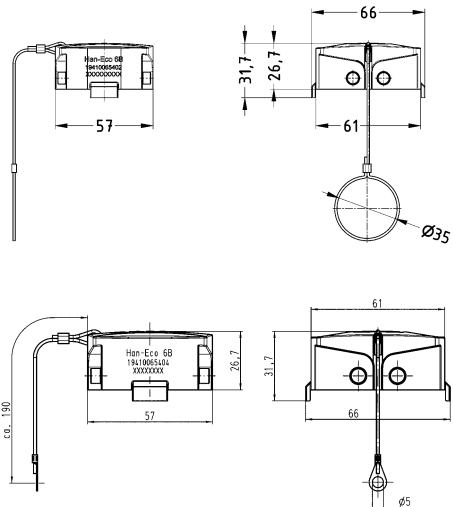

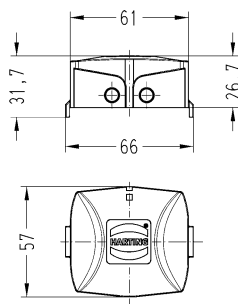
Han  
Eco

Identification	Cable entry	Clamping range (mm)	Part number	Drawing (dimensions in mm)
Han-Eco® Modular, Hoods, With integrated cable gland, Top entry 	1x M32	13 ... 21	19 41 106 0422	
Han-Eco® Modular, Hoods, With integrated cable gland, Side entry 	1x M32	13 ... 21	19 41 106 0522	
Han-Eco® Modular, Bulkhead mounted housings 			19 41 006 0301	 <p data-bbox="963 1603 1098 1630">Panel cut out</p>




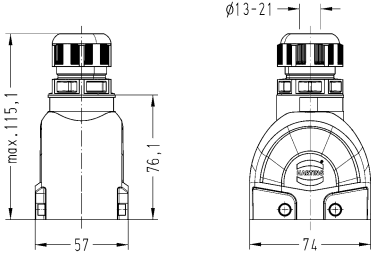

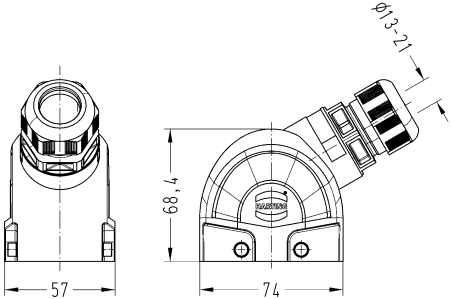

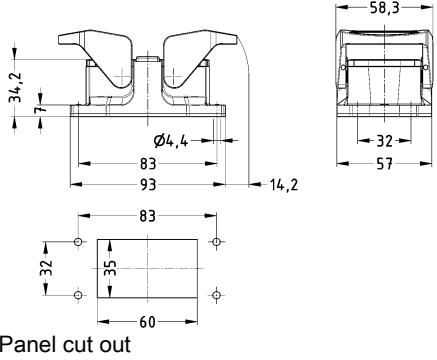
Identification	Cable entry	Clamping range (mm)	Part number	Drawing (dimensions in mm)
<p>Han-Eco® Modular, Surface mounted housing, With integrated cable gland, Side entry</p> 	<p>1x M32 2x M32</p>	<p>13 ... 21 13 ... 21</p>	<p>19 41 106 0232 19 41 106 0272</p>	
<p>Han-Eco® Modular, Cable to cable housing, With integrated cable gland, Top entry</p> 	<p>1x M32</p>	<p>13 ... 21</p>	<p>19 41 106 0722</p>	
<p>Han-Eco® Modular, Protection cover, for hoods</p> 			<p>19 41 006 5406</p>	
<p>Han-Eco® Modular, Protection cover, for hoods, With fixing cord</p> 			<p>19 41 006 5407</p>	

Han  
Eco

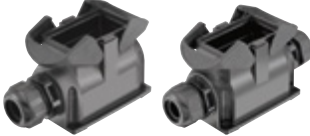
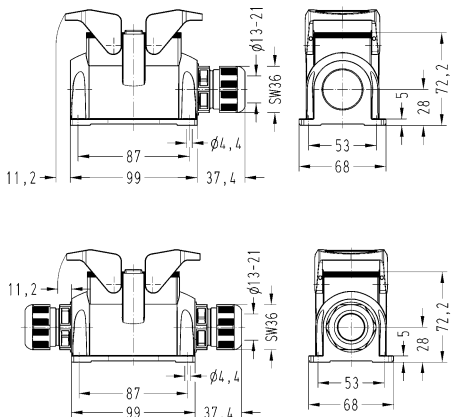

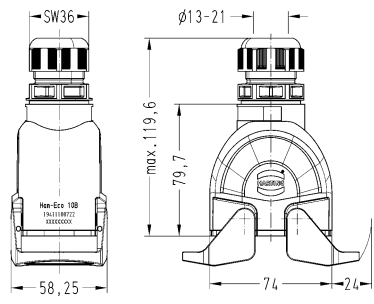


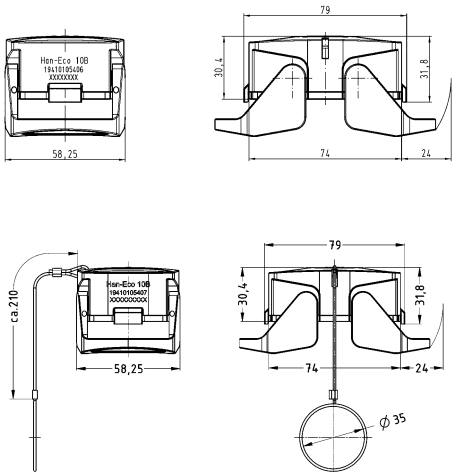
Identification	Cable entry	Clamping range (mm)	Part number	Drawing (dimensions in mm)
<p>Han-Eco® Modular, Protection cover, for bulkhead mounted housings, for surface mounted housings, for cable to cable housing, With fixing cord</p> 			<p>19 41 006 5402 19 41 006 5404</p>	
<p>Han-Eco® Modular, Protection cover, for bulkhead mounted housings, for surface mounted housings, for cable to cable housing</p> 			<p>19 41 006 5405</p>	


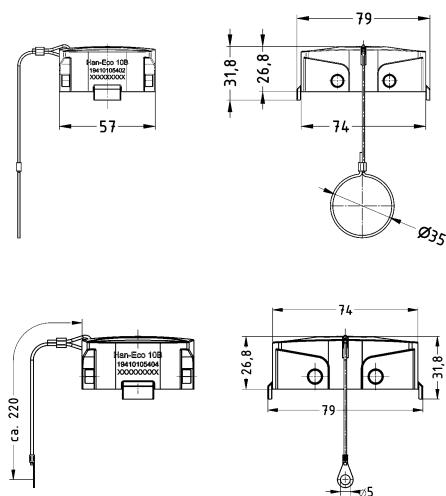

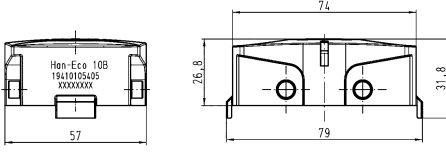
Double locking lever

Han Eco

Identification	Cable entry	Clamping range (mm)	Part number	Drawing (dimensions in mm)
Han-Eco® Modular, Hoods, With integrated cable gland, Top entry 	1x M32	13 ... 21	19 41 110 0422	
Han-Eco® Modular, Hoods, With integrated cable gland, Side entry 	1x M32	13 ... 21	19 41 110 0522	
Han-Eco® Modular, Bulkhead mounted housings 			19 41 010 0301	 <p>Panel cut out</p>


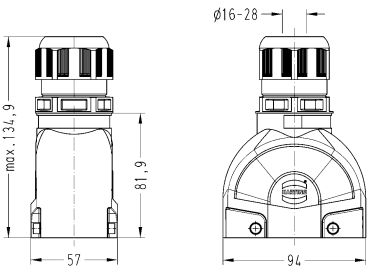

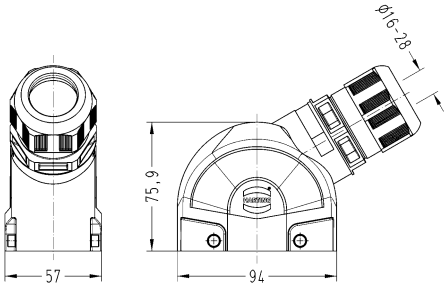

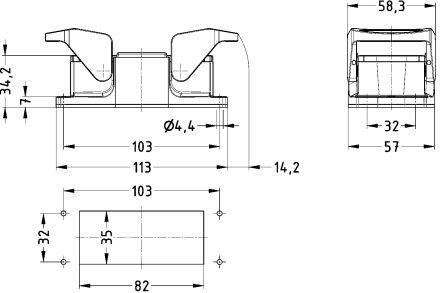
Han Eco

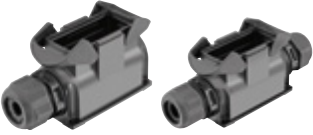
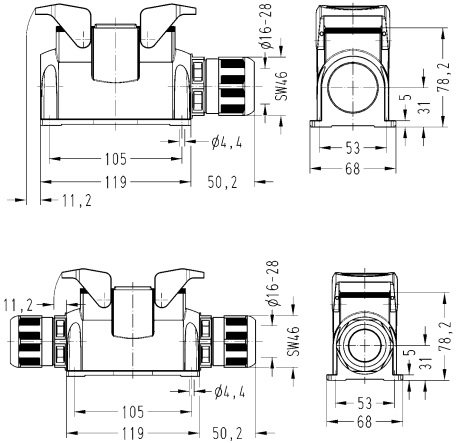

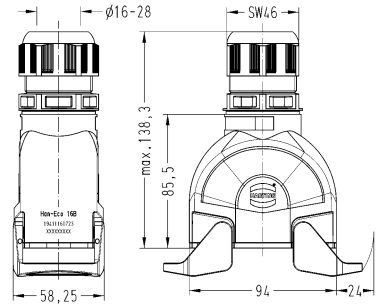


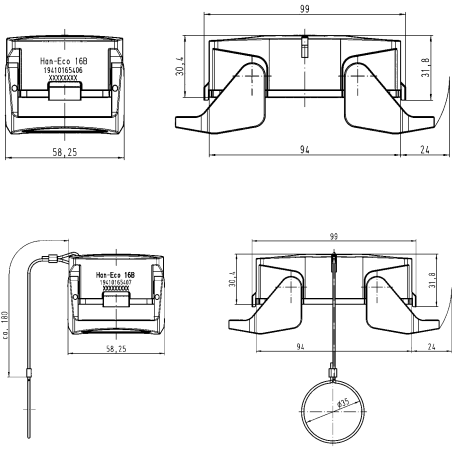
Identification	Cable entry	Clamping range (mm)	Part number	Drawing (dimensions in mm)
<p>Han-Eco® Modular, Surface mounted housing, With integrated cable gland, Side entry</p> 	<p>1x M32 2x M32</p>	<p>13 ... 21 13 ... 21</p>	<p>19 41 110 0232 19 41 110 0272</p>	
<p>Han-Eco® Modular, Cable to cable housing, With integrated cable gland, Top entry</p> 	<p>1x M32</p>	<p>13 ... 21</p>	<p>19 41 110 0722</p>	
<p>Han-Eco® Modular, Protection cover, for hoods</p>  <p>Han-Eco® Modular, Protection cover, for hoods, With fixing cord</p> 			<p>19 41 010 5406  19 41 010 5407</p>	

Identification	Cable entry	Clamping range (mm)	Part number	Drawing (dimensions in mm)
<p>Han-Eco® Modular, Protection cover, for bulkhead mounted housings, for surface mounted housings, for cable to cable housing, With fixing cord</p> 			<p>19 41 010 5402 19 41 010 5404</p>	
<p>Han-Eco® Modular, Protection cover, for bulkhead mounted housings, for surface mounted housings, for cable to cable housing</p> 			<p>19 41 010 5405</p>	


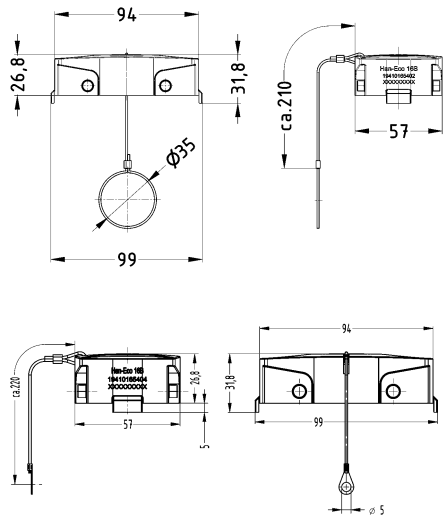

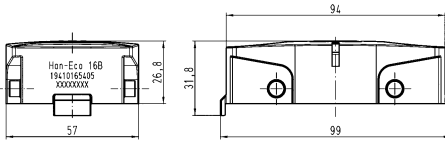
Double locking lever

Han  
Eco

Identification	Cable entry	Clamping range (mm)	Part number	Drawing (dimensions in mm)
Han-Eco® Modular, Hoods, With integrated cable gland, Top entry 	1x M40	16 ... 28	19 41 116 0423	
Han-Eco® Modular, Hoods, With integrated cable gland, Side entry 	1x M40	16 ... 28	19 41 116 0523	
Han-Eco® Modular, Bulkhead mounted housings 			19 41 016 0301	 <p>Panel cut out</p>

Identification	Cable entry	Clamping range (mm)	Part number	Drawing (dimensions in mm)
<p>Han-Eco® Modular, Surface mounted housing, With integrated cable gland, Side entry</p> 	<p>1x M40 2x M40</p>	<p>16 ... 28 16 ... 28</p>	<p>19 41 116 0233 19 41 116 0273</p>	
<p>Han-Eco® Modular, Cable to cable housing, With integrated cable gland, Top entry</p> 	<p>1x M40</p>	<p>16 ... 28</p>	<p>19 41 116 0723</p>	
<p>Han-Eco® Modular, Protection cover, for hoods</p>  <p>Han-Eco® Modular, Protection cover, for hoods, With fixing cord</p> 			<p>19 41 016 5406  19 41 016 5407</p>	


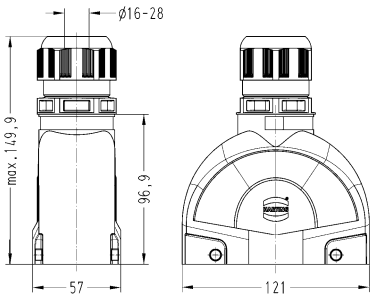

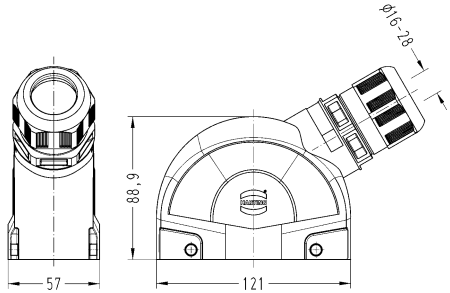

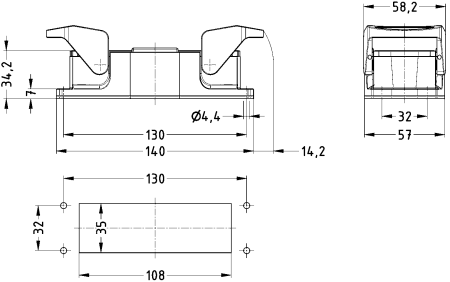
Han Eco

Identification	Cable entry	Clamping range (mm)	Part number	Drawing (dimensions in mm)
<p>Han-Eco® Modular, Protection cover, for bulkhead mounted housings, for surface mounted housings, for cable to cable housing, With fixing cord</p> 			<p>19 41 016 5402 19 41 016 5404</p>	
<p>Han-Eco® Modular, Protection cover, for bulkhead mounted housings, for surface mounted housings, for cable to cable housing</p> 			<p>19 41 016 5405</p>	


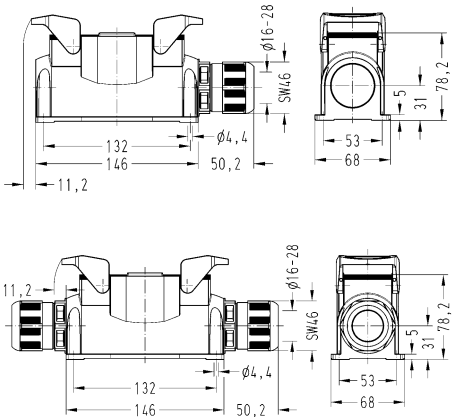

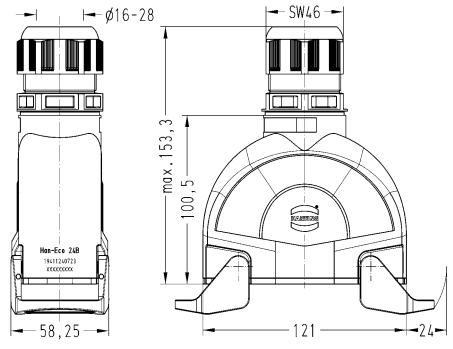


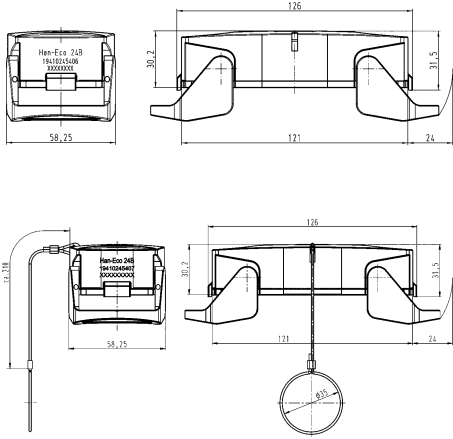



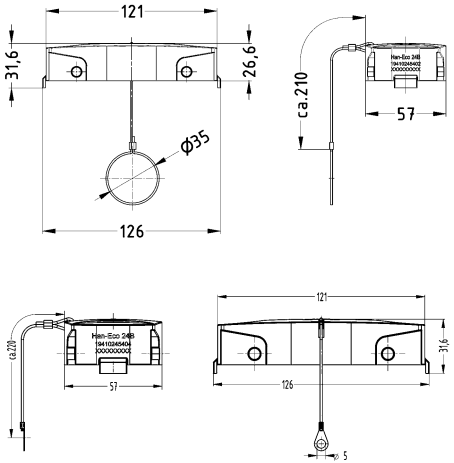

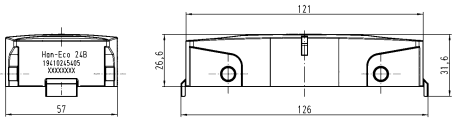
Double locking lever

Han Eco

Identification	Cable entry	Clamping range (mm)	Part number	Drawing (dimensions in mm)
Han-Eco® Modular, Hoods, With integrated cable gland, Top entry 	1x M40	16 ... 28	19 41 124 0423	
Han-Eco® Modular, Hoods, With integrated cable gland, Side entry 	1x M40	16 ... 28	19 41 124 0523	
Han-Eco® Modular, Bulkhead mounted housings 			19 41 024 0301	 <p>Panel cut out</p>

Han Eco

Identification	Cable entry	Clamping range (mm)	Part number	Drawing (dimensions in mm)
<p>Han-Eco® Modular, Surface mounted housing, With integrated cable gland, Side entry</p> 	<p>1x M40 2x M40</p>	<p>16 ... 28 16 ... 28</p>	<p>19 41 124 0233 19 41 124 0273</p>	
<p>Han-Eco® Modular, Cable to cable housing, With integrated cable gland, Top entry</p> 	<p>1x M40</p>	<p>16 ... 28</p>	<p>19 41 124 0723</p>	
<p>Han-Eco® Modular, Protection cover, for hoods</p>  <p>Han-Eco® Modular, Protection cover, for hoods, With fixing cord</p> 			<p>19 41 024 5406  19 41 024 5407</p>	

Identification	Cable entry	Clamping range (mm)	Part number	Drawing (dimensions in mm)
<p>Han-Eco® Modular, Protection cover, for bulkhead mounted housings, for surface mounted housings, for cable to cable housing, With fixing cord</p> 			<p>19 41 024 5402 19 41 024 5404</p>	
<p>Han-Eco® Modular, Protection cover, for bulkhead mounted housings, for surface mounted housings, for cable to cable housing</p> 			<p>19 41 024 5405</p>	

## Features

- With integrated cable gland
- Optional PE contact module to hold the protective ground conductor
- Suitable for applications according to protection class II

## Technical characteristics

Limiting temperature	-40 ... +125 °C
Degree of protection acc. to IEC 60529	IP65
Material (hood/housing)	Polyamide, Fibre-glass reinforced
Colour (hood/housing)	RAL 9005 (jet black)
Material (seal)	FPM
Colour (seal)	RAL 7001 (silver-grey)
Material (locking)	Polyamide, Fibre-glass reinforced
Colour (locking)	RAL 9005 (jet black)
Material flammability class acc. to UL 94	V-0
Material flammability class acc. to UL 94 (locking levers)	V-0
RoHS	compliant

## Specifications and approvals


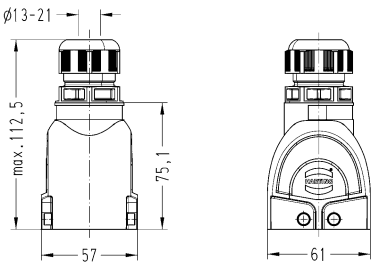

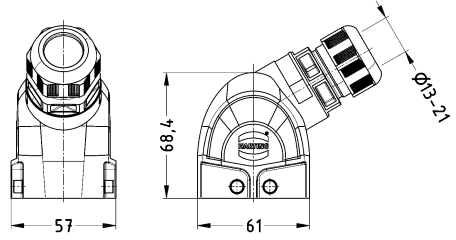

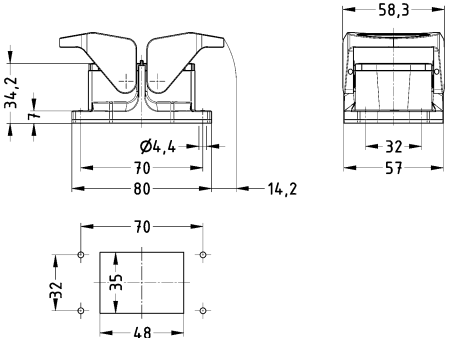
IEC 61984  
 EN 45545-2  
 R22: HL1, HL2, HL3  
 R23: HL1, HL2, HL3  
 R24: HL1, HL2, HL3  
 UL 1977 ECBT2.E235076  
 CSA-C22.2 No. 182.3 ECBT8.E235076

## Details


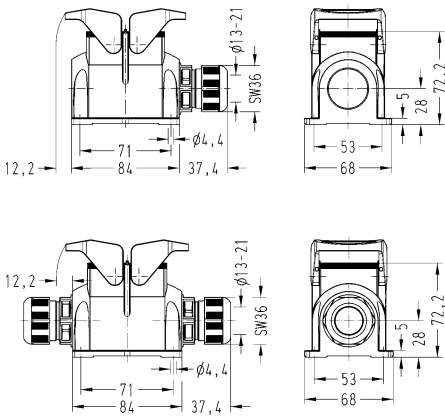

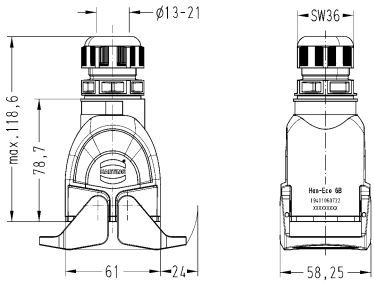


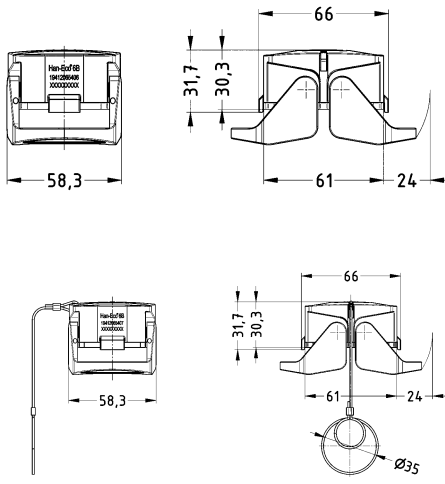
Assembly dimensions are identical for the Han® B bulkhead mounted housings - not mating compatible with the hoods and housings of the series Han® B.

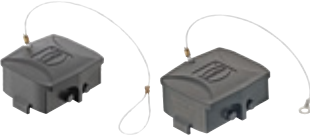
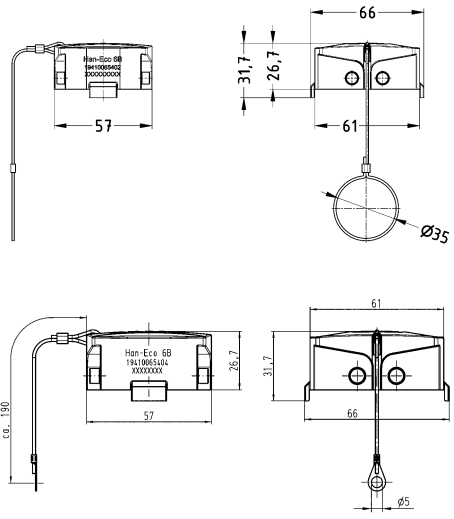

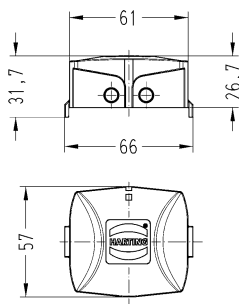
Double locking lever

Han  
Eco

Identification	Cable entry	Clamping range (mm)	Part number	Drawing (dimensions in mm)
Han-Eco® Modular, Hoods, With integrated cable gland, Top entry 	1x M32	13 ... 21	19 41 106 0422	
Han-Eco® Modular, Hoods, With integrated cable gland, Side entry 	1x M32	13 ... 21	19 41 106 0522	
Han-Eco® Modular, Bulkhead mounted housings 			19 41 206 0301	 <p>Panel cut out</p>


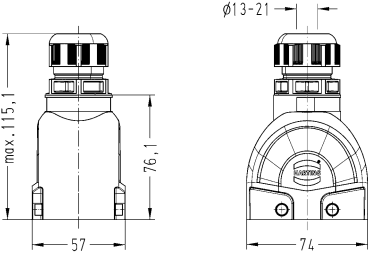

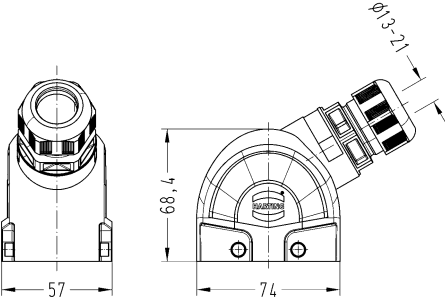

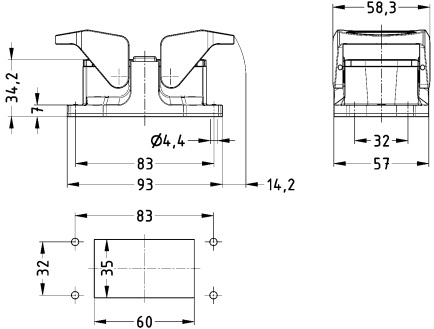
Han  
Eco

Identification	Cable entry	Clamping range (mm)	Part number	Drawing (dimensions in mm)
<p>Han-Eco® Modular, Surface mounted housing, With integrated cable gland, Side entry</p> 	<p>1x M32 2x M32</p>	<p>13 ... 21 13 ... 21</p>	<p>19 41 306 0232 19 41 306 0272</p>	
<p>Han-Eco® Modular, Cable to cable housing, With integrated cable gland, Top entry</p> 	<p>1x M32</p>	<p>13 ... 21</p>	<p>19 41 306 0722</p>	
<p>Han-Eco® Modular, Protection cover, for hoods</p>  <p>Han-Eco® Modular, Protection cover, for hoods, With fixing cord</p> 			<p>19 41 206 5406</p> <p>19 41 206 5407</p>	


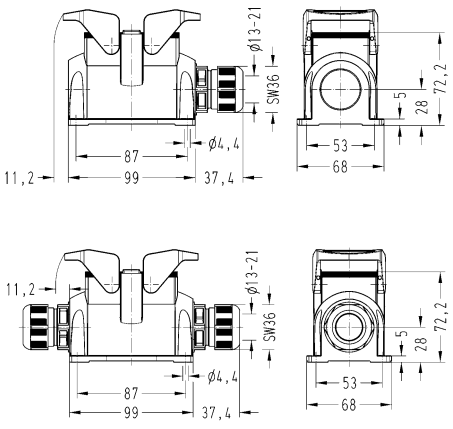

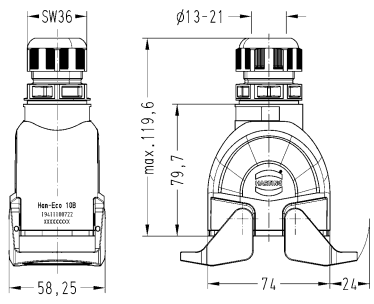


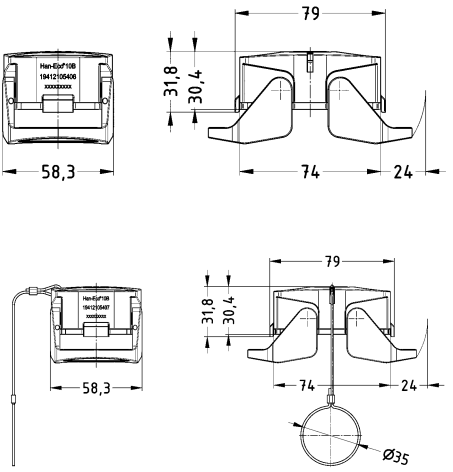
Identification	Cable entry	Clamping range (mm)	Part number	Drawing (dimensions in mm)
<p>Han-Eco® Modular, Protection cover, for bulkhead mounted housings, for surface mounted housings, for cable to cable housing, With fixing cord</p> 			<p>19 41 006 5402 19 41 006 5404</p>	
<p>Han-Eco® Modular, Protection cover, for bulkhead mounted housings, for surface mounted housings, for cable to cable housing</p> 			<p>19 41 006 5405</p>	

Double locking lever


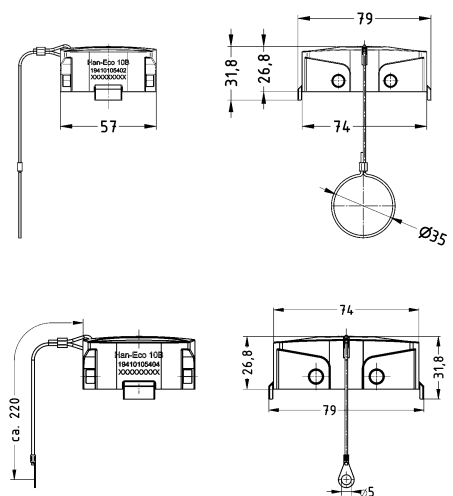

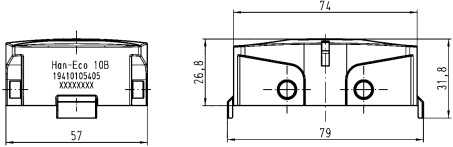
Han  
Eco

Identification	Cable entry	Clamping range (mm)	Part number	Drawing (dimensions in mm)
Han-Eco® Modular, Hoods, With integrated cable gland, Top entry 	1x M32	13 ... 21	19 41 110 0422	
Han-Eco® Modular, Hoods, With integrated cable gland, Side entry 	1x M32	13 ... 21	19 41 110 0522	
Han-Eco® Modular, Bulkhead mounted housings 			19 41 210 0301	 <p>Panel cut out</p>




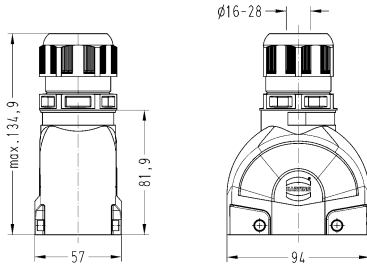

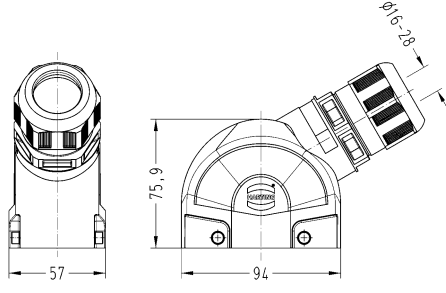

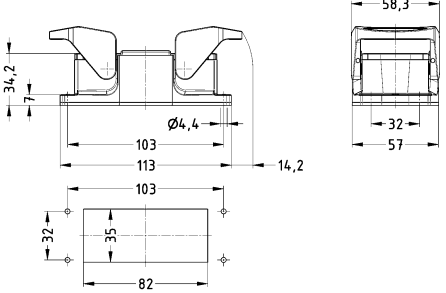
Identification	Cable entry	Clamping range (mm)	Part number	Drawing (dimensions in mm)
<p>Han-Eco® Modular, Surface mounted housing, With integrated cable gland, Side entry</p> 	<p>1x M32 2x M32</p>	<p>13 ... 21 13 ... 21</p>	<p>19 41 310 0232 19 41 310 0272</p>	
<p>Han-Eco® Modular, Cable to cable housing, With integrated cable gland, Top entry</p> 	<p>1x M32</p>	<p>13 ... 21</p>	<p>19 41 310 0722</p>	
<p>Han-Eco® Modular, Protection cover, for hoods</p>  <p>Han-Eco® Modular, Protection cover, for hoods, With fixing cord</p> 			<p>19 41 210 5406</p> <p>19 41 210 5407</p>	

Han  
Eco


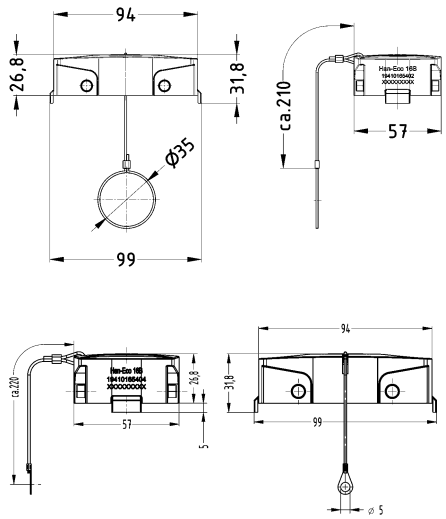

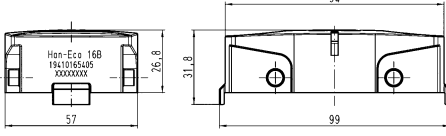
Identification	Cable entry	Clamping range (mm)	Part number	Drawing (dimensions in mm)
<p>Han-Eco® Modular, Protection cover, for bulkhead mounted housings, for surface mounted housings, for cable to cable housing, With fixing cord</p> 			<p>19 41 010 5402 19 41 010 5404</p>	
<p>Han-Eco® Modular, Protection cover, for bulkhead mounted housings, for surface mounted housings, for cable to cable housing</p> 			<p>19 41 010 5405</p>	

Double locking lever

Han  
Eco

Identification	Cable entry	Clamping range (mm)	Part number	Drawing (dimensions in mm)
Han-Eco® Modular, Hoods, With integrated cable gland, Top entry 	1x M40	16 ... 28	19 41 116 0423	
Han-Eco® Modular, Hoods, With integrated cable gland, Side entry 	1x M40	16 ... 28	19 41 116 0523	
Han-Eco® Modular, Bulkhead mounted housings 			19 41 216 0301	 <p>Panel cut out</p>


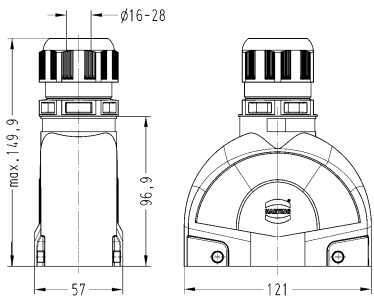

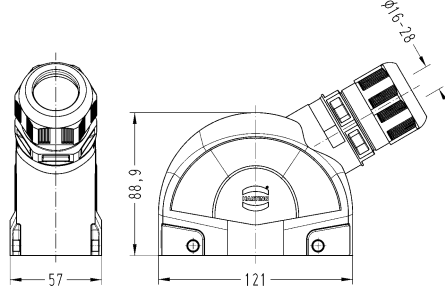

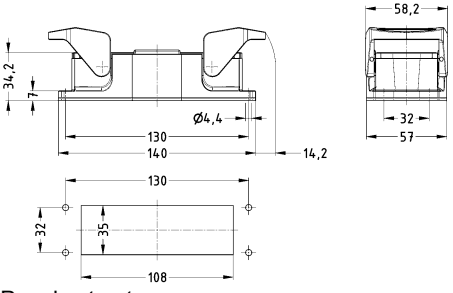



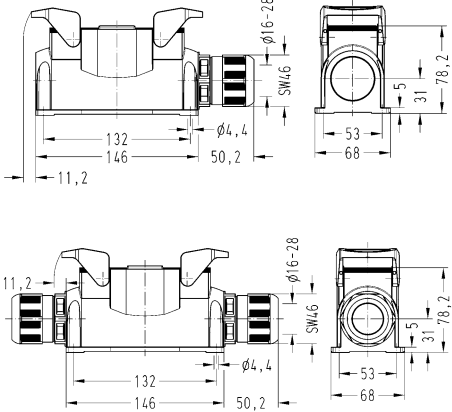

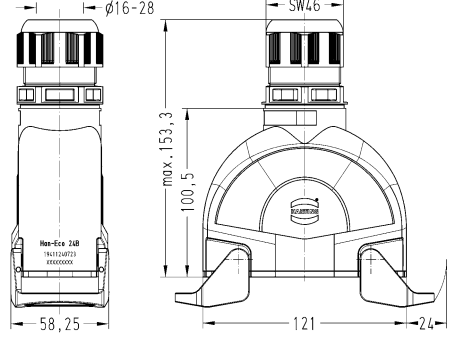


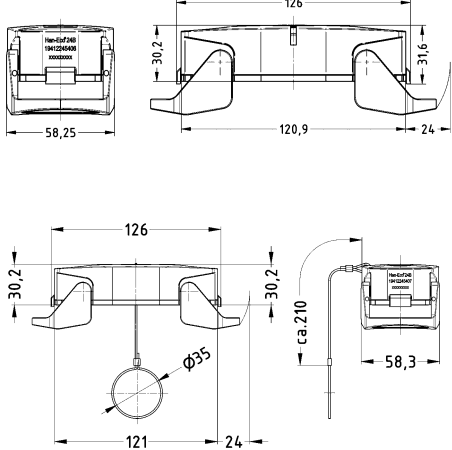
Identification	Cable entry	Clamping range (mm)	Part number	Drawing (dimensions in mm)
<p>Han-Eco® Modular, Protection cover, for bulkhead mounted housings, for surface mounted housings, for cable to cable housing, With fixing cord</p> 			<p>19 41 016 5402 19 41 016 5404</p>	
<p>Han-Eco® Modular, Protection cover, for bulkhead mounted housings, for surface mounted housings, for cable to cable housing</p> 			<p>19 41 016 5405</p>	

Han Eco


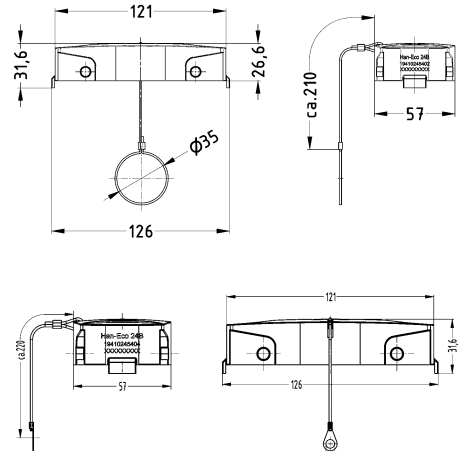

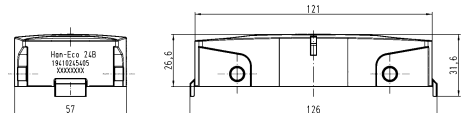
Double locking lever

Han  
Eco

Identification	Cable entry	Clamping range (mm)	Part number	Drawing (dimensions in mm)
Han-Eco® Modular, Hoods, With integrated cable gland, Top entry 	1x M40	16 ... 28	19 41 124 0423	
Han-Eco® Modular, Hoods, With integrated cable gland, Side entry 	1x M40	16 ... 28	19 41 124 0523	
Han-Eco® Modular, Bulkhead mounted housings 			19 41 224 0301	 <p>Panel cut out</p>

Identification	Cable entry	Clamping range (mm)	Part number	Drawing (dimensions in mm)
<p>Han-Eco® Modular, Surface mounted housing, With integrated cable gland, Side entry</p> 	<p>1x M40 2x M40</p>	<p>16 ... 28 16 ... 28</p>	<p>19 41 324 0233 19 41 324 0273</p>	
<p>Han-Eco® Modular, Cable to cable housing, With integrated cable gland, Top entry</p> 	<p>1x M40</p>	<p>16 ... 28</p>	<p>19 41 324 0723</p>	
<p>Han-Eco® Modular, Protection cover, for hoods</p>  <p>Han-Eco® Modular, Protection cover, for hoods, With fixing cord</p> 			<p>19 41 224 5406  19 41 224 5407</p>	

Han  
Eco

Identification	Cable entry	Clamping range (mm)	Part number	Drawing (dimensions in mm)
<p>Han-Eco® Modular, Protection cover, for bulkhead mounted housings, for surface mounted housings, for cable to cable housing, With fixing cord</p> 			<p>19 41 024 5402 19 41 024 5404</p>	
<p>Han-Eco® Modular, Protection cover, for bulkhead mounted housings, for surface mounted housings, for cable to cable housing</p> 			<p>19 41 024 5405</p>	



## Features

- With integrated cable gland
- Suitable for applications according to protection class II

## Technical characteristics

Limiting temperature	-40 ... +125 °C
Degree of protection acc. to IEC 60529	IP65
Material (hood/housing)	Polyamide, Fibre-glass reinforced
Colour (hood/housing)	RAL 9005 (jet black)
Material (seal)	NBR
Colour (seal)	RAL 9005 (jet black)
Material (locking)	Polyamide, Fibre-glass reinforced
Colour (locking)	RAL 9005 (jet black)
Material flammability class acc. to UL 94	V-0
Material flammability class acc. to UL 94 (locking levers)	V-0
RoHS	compliant with exemption
RoHS exemptions	<b>6c:</b> Copper alloy containing up to 4 % lead by weight

## Specifications and approvals

IEC 61984  
 EN 45545-2  
 R22: HL1, HL2, HL3  
 R23: HL1, HL2, HL3  
 R24: HL1, HL2, HL3


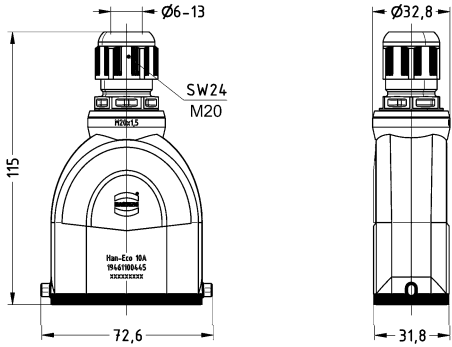

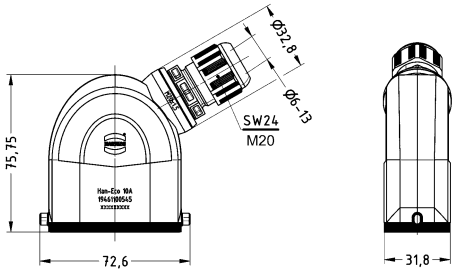

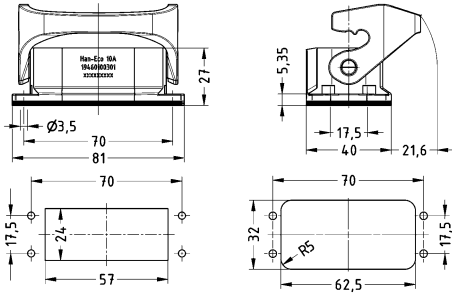
## Details

Assembly dimensions are identical for the Han® A bulkhead and surface mounted housings – mating compatible with all metal hoods and housings of the series Han® A.

As an option a larger panel cut out for the rear assembly of the bulkhead mounted housings is possible.


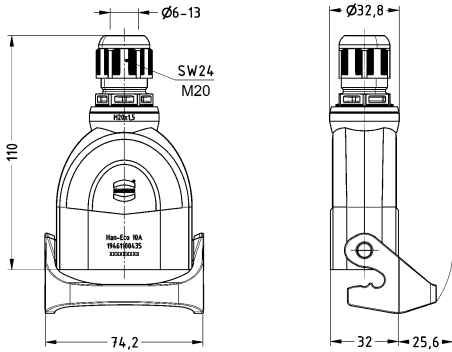

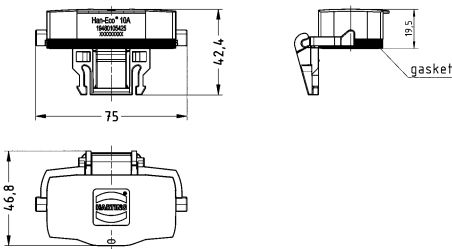
Single locking lever

Han  
Eco

Identification	Cable entry	Clamping range (mm)	Part number	Drawing (dimensions in mm)
Han-Eco® A, Hoods, With integrated cable gland, Top entry  	1x M20 1x M25	6 ... 13 9 ... 17	19 46 110 0445 19 46 110 0446	
Han-Eco® A, Hoods, With integrated cable gland, Side entry  	1x M20 1x M25	6 ... 13 9 ... 17	19 46 110 0545 19 46 110 0546	
Han-Eco® A, Bulkhead mounted housings  			19 46 010 0301	 <p>Panel cut out Front mounting / Rear mounting</p>




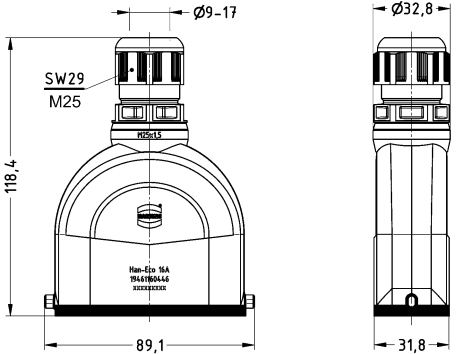

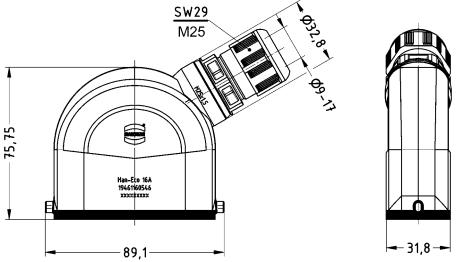

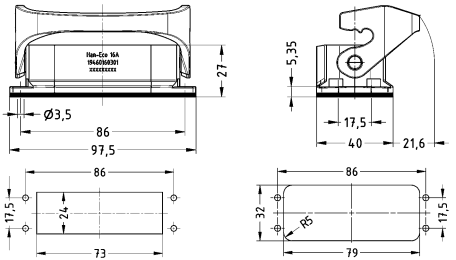
Han  
Eco

Identification	Cable entry	Clamping range (mm)	Part number	Drawing (dimensions in mm)
<p>Han-Eco® A, Cable to cable housing, With integrated cable gland, Top entry</p> 	<p>1x M20 1x M25</p>	<p>6 ... 13 9 ... 17</p>	<p>19 46 110 0435 19 46 110 0436</p>	
<p>Han-Eco® A, Protection cover, for bulkhead mounted housings, for surface mounted housings</p> 			<p>19 46 010 5425</p>	


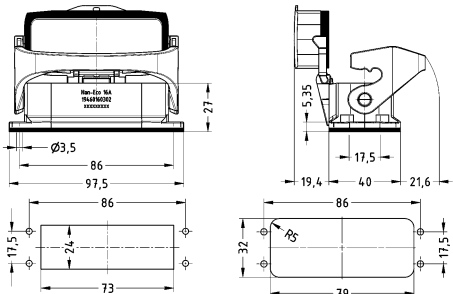

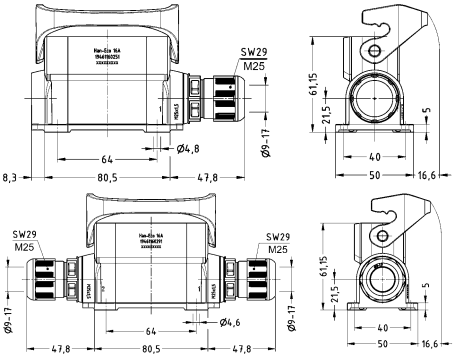

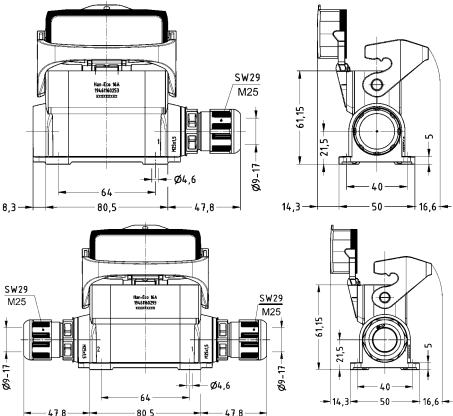

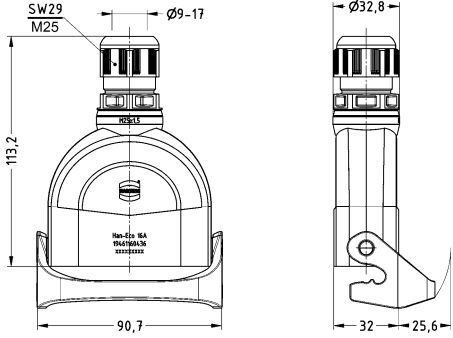
Single locking lever


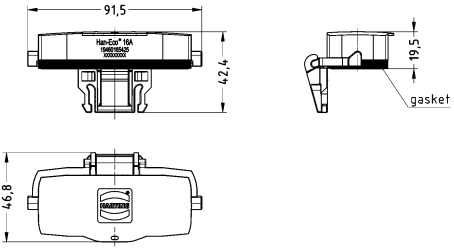


Han Eco

Identification	Cable entry	Clamping range (mm)	Part number	Drawing (dimensions in mm)
Han-Eco® A, Hoods, With integrated cable gland, Top entry 	1x M20 1x M25	6 ... 13 9 ... 17	19 46 116 0445 19 46 116 0446	
Han-Eco® A, Hoods, With integrated cable gland, Side entry 	1x M20 1x M25	6 ... 13 9 ... 17	19 46 116 0545 19 46 116 0546	
Han-Eco® A, Bulkhead mounted housings 			19 46 016 0301	 <p>Panel cut out Front mounting / Rear mounting</p>

Han Eco

Identification	Cable entry	Clamping range (mm)	Part number	Drawing (dimensions in mm)
<p>Han-Eco® A, Bulkhead mounted housings, With thermo-plastic cover</p> 			19 46 016 0302	 <p>Panel cut out Front mounting / Rear mounting</p>
<p>Han-Eco® A, Surface mounted housing, With integrated cable gland, Side entry</p> 	1x M20 1x M25 2x M20 2x M25	6 ... 13 9 ... 17 6 ... 13 9 ... 17	19 46 116 0250 19 46 116 0251 19 46 116 0290 19 46 116 0291	
<p>Han-Eco® A, Surface mounted housing, With thermo-plastic cover, With integrated cable gland, Side entry</p> 	1x M20 1x M25 2x M20 2x M25	6 ... 13 9 ... 17 6 ... 13 9 ... 17	19 46 116 0252 19 46 116 0253 19 46 116 0292 19 46 116 0293	
<p>Han-Eco® A, Cable to cable housing, With integrated cable gland, Top entry</p> 	1x M20 1x M25	6 ... 13 9 ... 17	19 46 116 0435 19 46 116 0436	

Identification	Cable entry	Clamping range (mm)	Part number	Drawing (dimensions in mm)
<p>Han-Eco® A, Protection cover, for bulkhead mounted housings, for surface mounted housings</p> 			<p>19 46 016 5425</p>	

## Features

- With integrated cable gland
- Suitable for applications according to protection class II

## Technical characteristics

Limiting temperature	-40 ... +125 °C
Degree of protection acc. to IEC 60529	IP65
Material (hood/housing)	Polyamide, Fibre-glass reinforced
Colour (hood/housing)	RAL 9005 (jet black)
Material (seal)	FPM
Colour (seal)	RAL 7001 (silver-grey)
Material (locking)	Polyamide, Fibre-glass reinforced
Colour (locking)	RAL 9005 (jet black)
Material flammability class acc. to UL 94	V-0
Material flammability class acc. to UL 94 (locking levers)	V-0
RoHS	compliant with exemption, compliant
RoHS exemptions	<b>6c:</b> Copper alloy containing up to 4 % lead by weight

## Specifications and approvals

IEC 61984  
 EN 45545-2  
 R22: HL1, HL2, HL3  
 R23: HL1, HL2, HL3  
 R24: HL1, HL2, HL3

## Details


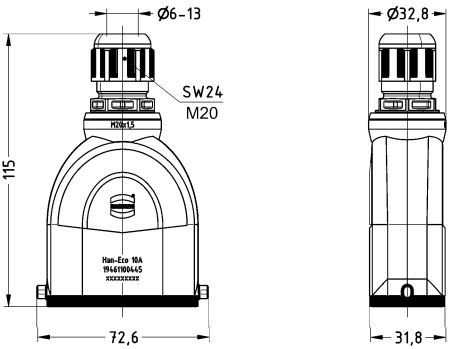

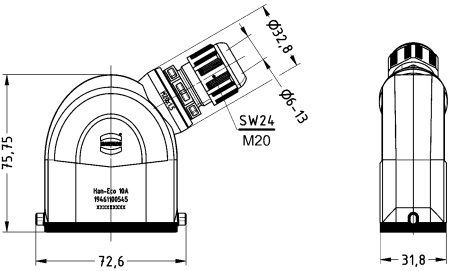

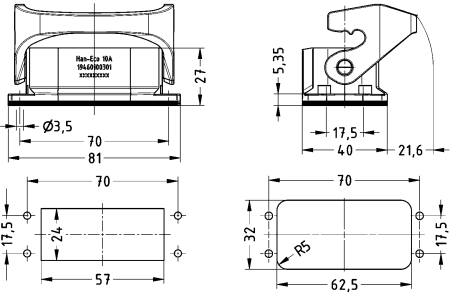
Assembly dimensions are identical for the Han® A bulkhead and surface mounted housings – mating compatible with all metal hoods and housings of the series Han® A.

As an option a larger panel cut out for the rear assembly of the bulkhead mounted housings is possible.


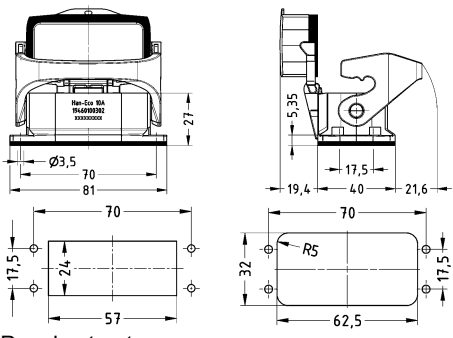

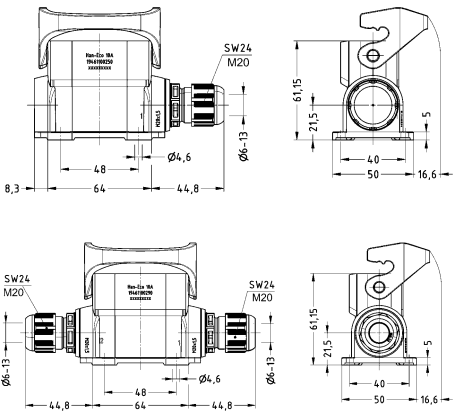

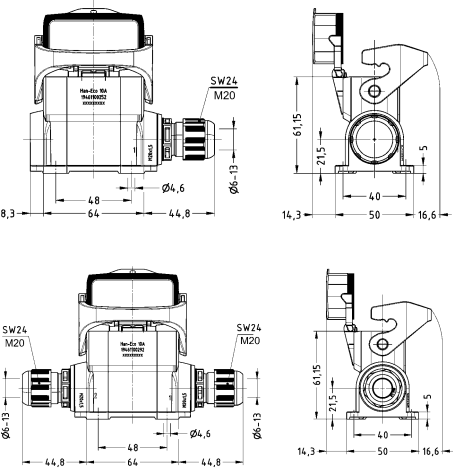



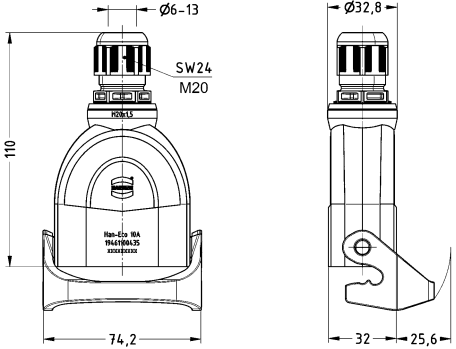

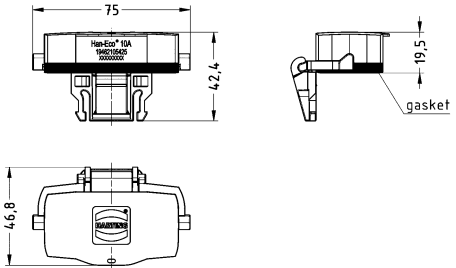
Single locking lever

Han  
Eco

Identification	Cable entry	Clamping range (mm)	Part number	Drawing (dimensions in mm)
<p>Han-Eco® A, Hoods, With integrated cable gland, Top entry</p> 	<p>1x M20 1x M25</p>	<p>6 ... 13 9 ... 17</p>	<p>19 46 310 0445 19 46 310 0446</p>	
<p>Han-Eco® A, Hoods, With integrated cable gland, Side entry</p> 	<p>1x M20 1x M25</p>	<p>6 ... 13 9 ... 17</p>	<p>19 46 310 0545 19 46 310 0546</p>	
<p>Han-Eco® A, Bulkhead mounted housings</p> 			<p>19 46 210 0301</p>	 <p>Panel cut out Front mounting / Rear mounting</p>

Han Eco




Identification	Cable entry	Clamping range (mm)	Part number	Drawing (dimensions in mm)
<p>Han-Eco® A, Bulkhead mounted housings, With thermo-plastic cover</p> 			19 46 210 0302	 <p>Panel cut out Front mounting / Rear mounting</p>
<p>Han-Eco® A, Surface mounted housing, With integrated cable gland, Side entry</p> 	<p>1x M20 1x M25 2x M20 2x M25</p>	<p>6 ... 13 9 ... 17 6 ... 13 9 ... 17</p>	<p>19 46 110 0250 19 46 110 0251 19 46 110 0290 19 46 110 0291</p>	
<p>Han-Eco® A, Surface mounted housing, With thermo-plastic cover, With integrated cable gland, Side entry</p> 	<p>1x M20 1x M25 2x M20 2x M25</p>	<p>6 ... 13 9 ... 17 6 ... 13 9 ... 17</p>	<p>19 46 310 0252 19 46 310 0253 19 46 310 0292 19 46 310 0293</p>	


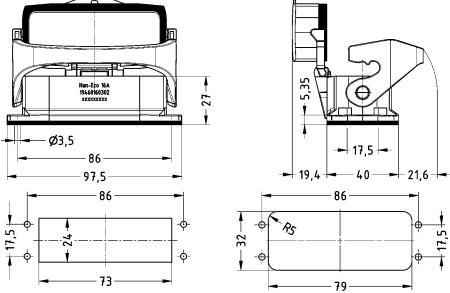

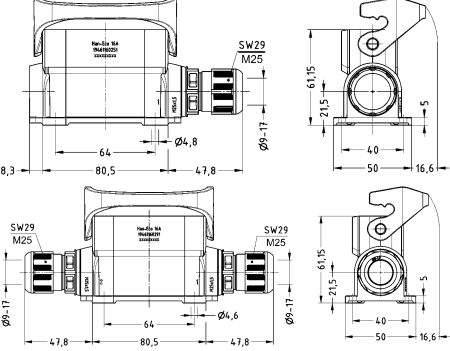

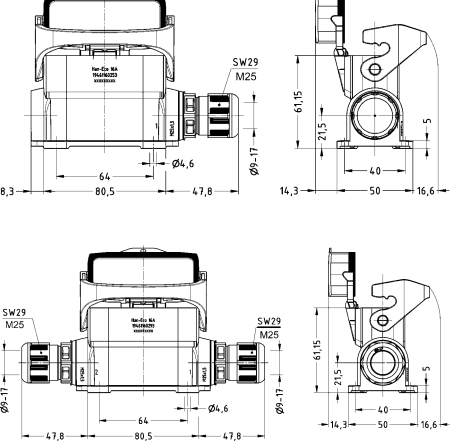

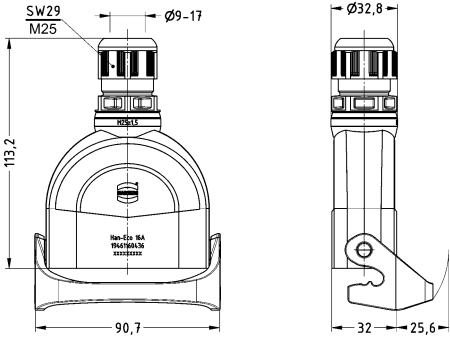
Identification	Cable entry	Clamping range (mm)	Part number	Drawing (dimensions in mm)	
<p>Han-Eco® A, Cable to cable housing, With integrated cable gland, Top entry</p> 	<p>1x M20 1x M25</p>	<p>6 ... 13 9 ... 17</p>	<p>19 46 110 0435 19 46 110 0436</p>		
<p>Han-Eco® A, Protection cover, for bulkhead mounted housings, for surface mounted housings</p> 			<p>19 46 210 5425</p>		

Single locking lever




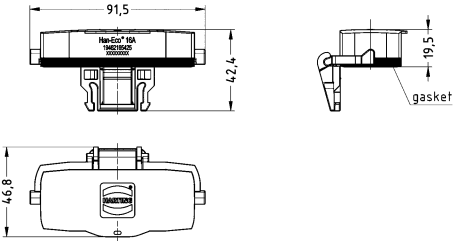
Han  
Eco

Identification	Cable entry	Clamping range (mm)	Part number	Drawing (dimensions in mm)
Han-Eco® A, Hoods, With integrated cable gland, Top entry  	1x M20 1x M25	6 ... 13 9 ... 17	19 46 316 0445 19 46 316 0446	
Han-Eco® A, Hoods, With integrated cable gland, Side entry  	1x M20 1x M25	6 ... 13 9 ... 17	19 46 316 0545 19 46 316 0546	
Han-Eco® A, Bulkhead mounted housings  			19 46 216 0301	<p>Panel cut out Front mounting / Rear mounting</p>

Identification	Cable entry	Clamping range (mm)	Part number	Drawing (dimensions in mm)
Han-Eco® A, Bulkhead mounted housings, With thermo-plastic cover  			19 46 216 0302	 <p>Panel cut out Front mounting / Rear mounting</p>
Han-Eco® A, Surface mounted housing, With integrated cable gland, Side entry  	1x M20 1x M25 2x M20 2x M25	6 ... 13 9 ... 17 6 ... 13 9 ... 17	19 46 116 0250 19 46 116 0251 19 46 116 0290 19 46 116 0291	
Han-Eco® A, Surface mounted housing, With thermo-plastic cover, With integrated cable gland, Side entry  	1x M20 1x M25 2x M20 2x M25	6 ... 13 9 ... 17 6 ... 13 9 ... 17	19 46 316 0252 19 46 316 0253 19 46 316 0292 19 46 316 0293	
Han-Eco® A, Cable to cable housing, With integrated cable gland, Top entry  	1x M20 1x M25	6 ... 13 9 ... 17	19 46 116 0435 19 46 116 0436	



Han  
Eco

Identification	Cable entry	Clamping range (mm)	Part number	Drawing (dimensions in mm)
<p>Han-Eco® A, Protection cover, for bulkhead mounted housings, for surface mounted housings</p> 			19 46 216 5425	

## Features

- Suitable for standard inserts and modules from the Han-Modular® portfolio
- With integrated cable gland
- Suitable for applications according to protection class II
- Minimal weight with excellent mechanical robustness

## Technical characteristics

Limiting temperature	-40 ... +125 °C
Degree of protection acc. to IEC 60529	IP65
Material (hood/housing)	Polyamide, Fibre-glass reinforced
Colour (hood/housing)	RAL 9005 (jet black)
Material (seal)	NBR
Colour (seal)	RAL 9005 (jet black)
Material (locking)	Polyamide, Fibre-glass reinforced
Colour (locking)	RAL 9005 (jet black)
Material flammability class acc. to UL 94	V-0
Material flammability class acc. to UL 94 (locking levers)	V-0

## Specifications and approvals

IEC 61984  
 EN 45545-2  
 R22: HL1, HL2, HL3  
 R23: HL1, HL2, HL3  
 R24: HL1, HL2, HL3

## Details


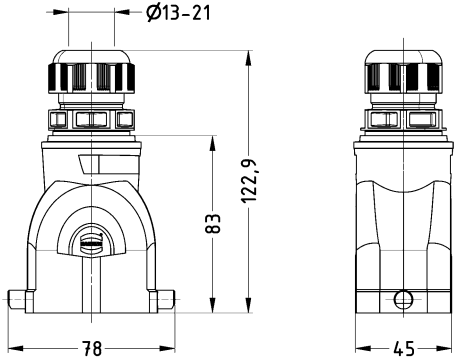

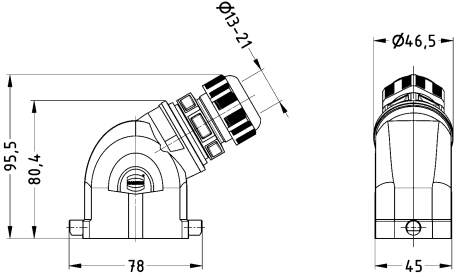

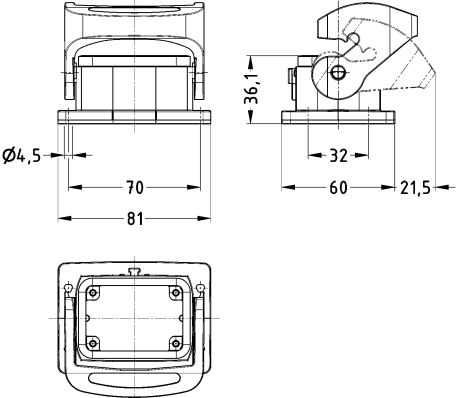
Mating compatible with all metal hoods and housings of the series Han® B.

As an option a larger panel cut out for the rear assembly of the bulkhead mounted housings is possible.


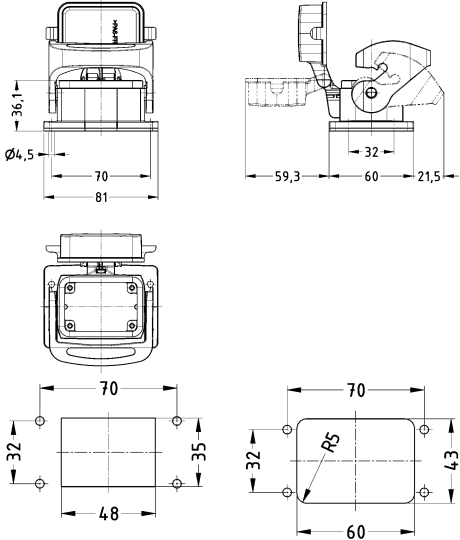

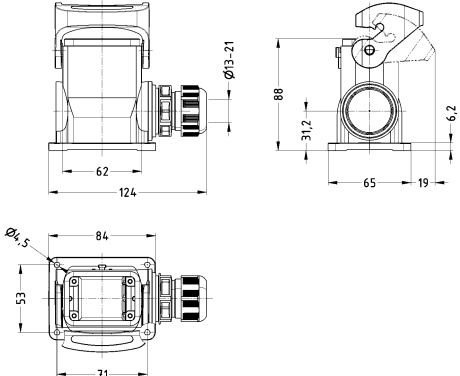

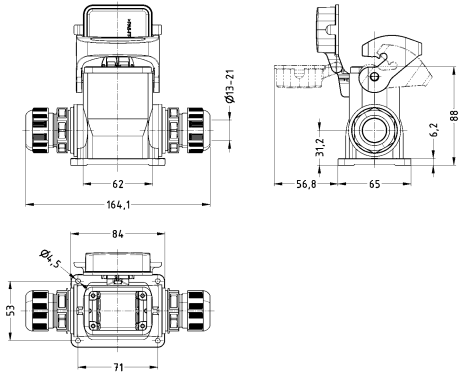
Available as from July 2018

Single locking lever


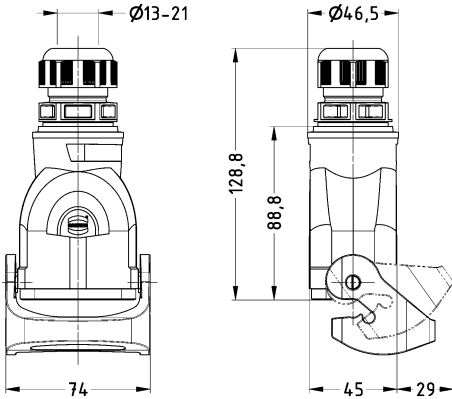
Han  
Eco

Identification	Cable entry	Clamping range (mm)	Part number	Drawing (dimensions in mm)
Han-Eco® B, Hoods, With integrated cable gland, Top entry  	1x M20 1x M25 1x M32	6 ... 13 9 ... 17 13 ... 21	19 43 106 0445 19 43 106 0446 19 43 106 0447	
Han-Eco® B, Hoods, With integrated cable gland, Side entry  	1x M20 1x M25 1x M32	6 ... 13 9 ... 17 13 ... 21	19 43 106 0545 19 43 106 0546 19 43 106 0547	
Han-Eco® B, Bulkhead mounted housings  			19 43 006 0340	




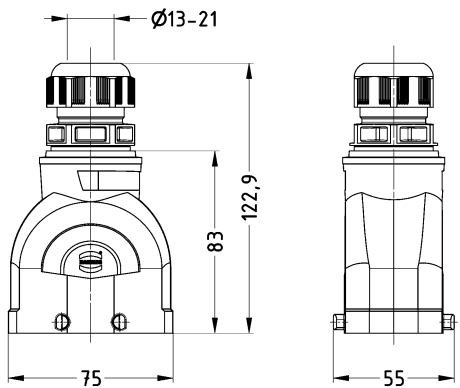

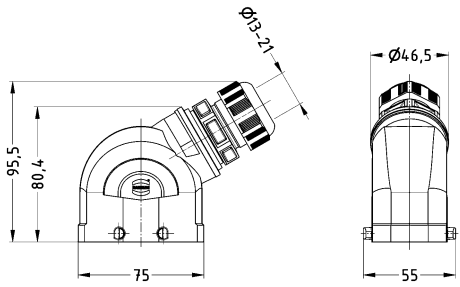

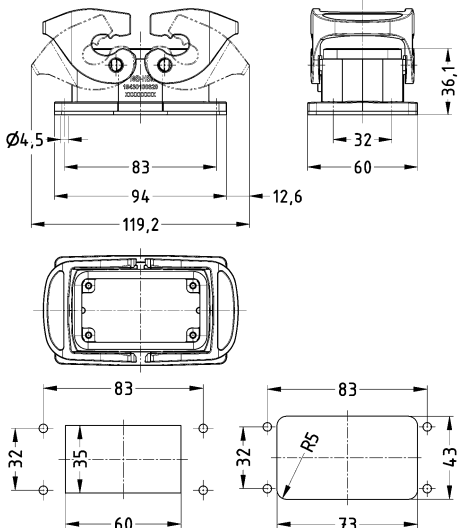
Identification	Cable entry	Clamping range (mm)	Part number	Drawing (dimensions in mm)
<p>Han-Eco® B, Bulkhead mounted housings, With thermo-plastic cover</p> 			19 43 006 0341	 <p>Panel cut out Front mounting / Rear mounting</p>
<p>Han-Eco® B, Surface mounted housing, With integrated cable gland, Side entry</p> 	<p>1x M20 1x M25 1x M32 2x M20 2x M25 2x M32</p>	<p>6 ... 13 9 ... 17 13 ... 21 6 ... 13 9 ... 17 13 ... 21</p>	<p>19 43 106 0250 19 43 106 0251 19 43 106 0252 19 43 106 0290 19 43 106 0291 19 43 106 0292</p>	
<p>Han-Eco® B, Surface mounted housing, With thermo-plastic cover, With integrated cable gland, Side entry</p> 	<p>1x M20 1x M25 1x M32 2x M20 2x M25 2x M32</p>	<p>6 ... 13 9 ... 17 13 ... 21 6 ... 13 9 ... 17 13 ... 21</p>	<p>19 43 106 0255 19 43 106 0256 19 43 106 0257 19 43 106 0295 19 43 106 0296 19 43 106 0297</p>	

Han  
Eco


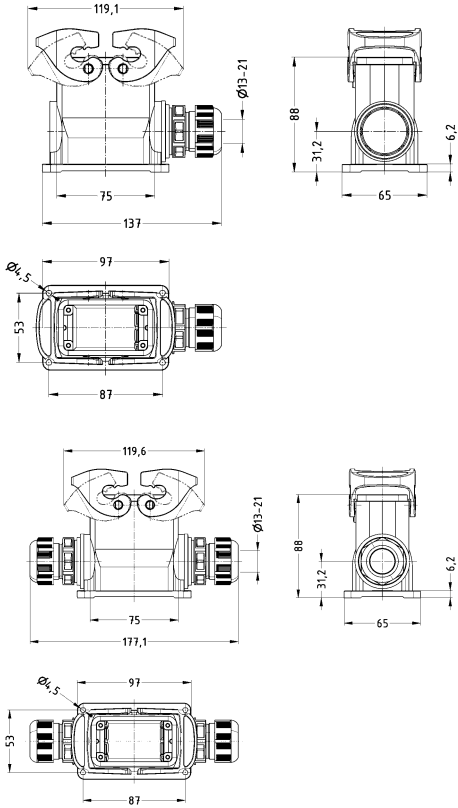

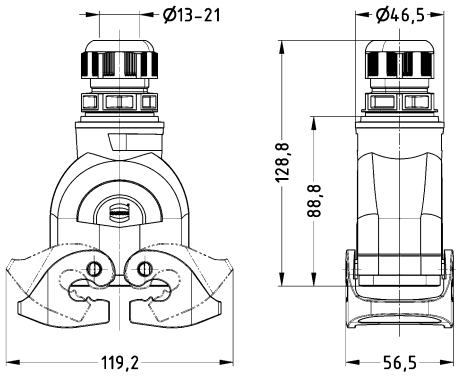

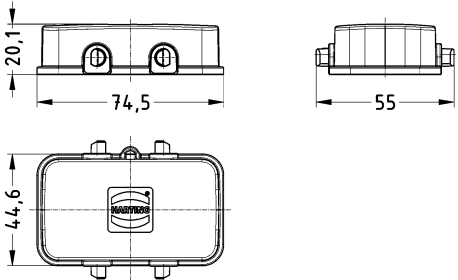
Identification	Cable entry	Clamping range (mm)	Part number	Drawing (dimensions in mm)
<p>Han-Eco® B, Cable to cable housing, With integrated cable gland, Top entry</p> 	<p>1x M20 1x M25 1x M32</p>	<p>6 ... 13 9 ... 17 13 ... 21</p>	<p>19 43 106 0755 19 43 106 0756 19 43 106 0757</p>	
<p>Han-Eco® B, Protection cover, for hoods</p> <p>Han-Eco® B, Protection cover, for bulkhead mounted housings, for surface mounted housings</p> <p>Han-Eco® B, Protection cover, for cable to cable housing</p>			<p>19 43 006 5442</p> <p>19 43 006 5410</p> <p>19 43 006 5446</p>	

Double locking lever

Han  
Eco

Identification	Cable entry	Clamping range (mm)	Part number	Drawing (dimensions in mm)
Han-Eco® B, Hoods, With integrated cable gland, Top entry 	1x M20 1x M25 1x M32	6 ... 13 9 ... 17 13 ... 21	19 43 110 0425 19 43 110 0426 19 43 110 0427	
Han-Eco® B, Hoods, With integrated cable gland, Side entry 	1x M20 1x M25 1x M32	6 ... 13 9 ... 17 13 ... 21	19 43 110 0525 19 43 110 0526 19 43 110 0527	
Han-Eco® B, Bulkhead mounted housings 			19 43 010 0320	 <p>Panel cut out Front mounting / Rear mounting</p>

Han Eco

Identification	Cable entry	Clamping range (mm)	Part number	Drawing (dimensions in mm)
<p>Han-Eco® B, Surface mounted housing, With integrated cable gland, Side entry</p> 	<p>1x M20 1x M25 1x M32 1x M40 2x M20 2x M25 2x M32</p>	<p>6 ... 13 9 ... 17 13 ... 21 16 ... 28 6 ... 13 9 ... 17 13 ... 21</p>	<p>19 43 110 0230 19 43 110 0231 19 43 110 0232 19 43 110 0233 19 43 110 0270 19 43 110 0271 19 43 110 0272</p>	
<p>Han-Eco® B, Cable to cable housing, With integrated cable gland, Top entry</p> 	<p>1x M20 1x M25 1x M32</p>	<p>6 ... 13 9 ... 17 13 ... 21</p>	<p>19 43 110 0735 19 43 110 0736 19 43 110 0737</p>	
<p>Han-Eco® B, Protection cover, for hoods</p> <p>Han-Eco® B, Protection cover, for bulkhead mounted housings, for surface mounted housings</p> 			<p>19 43 010 5422</p> <p>19 43 010 5425</p>	


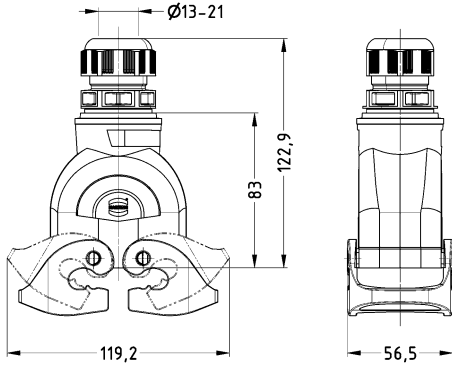
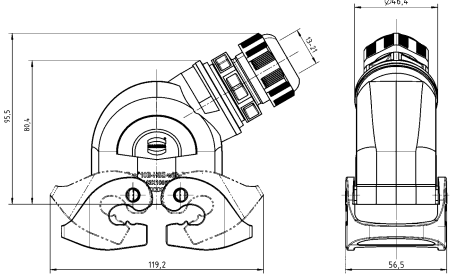

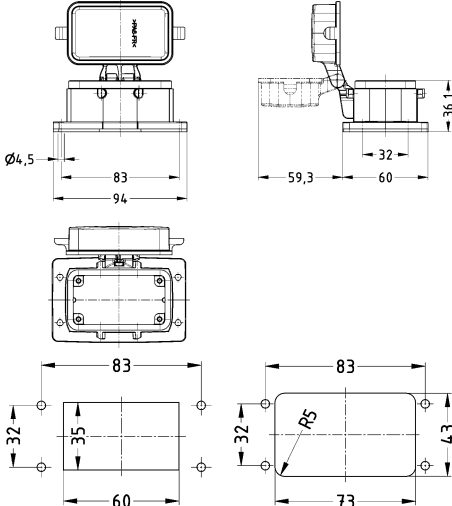



Identification	Cable entry	Clamping range (mm)	Part number	Drawing (dimensions in mm)
Han-Eco® B, Protection cover, for cable to cable housing			19 43 010 5426	

Han  
Eco

Double locking lever (on the hood)


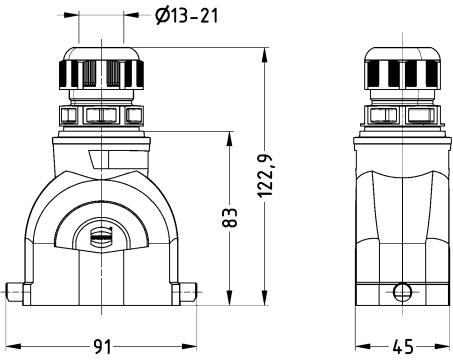

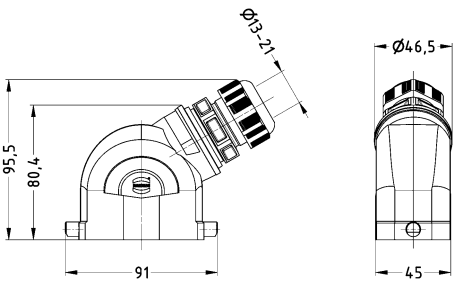

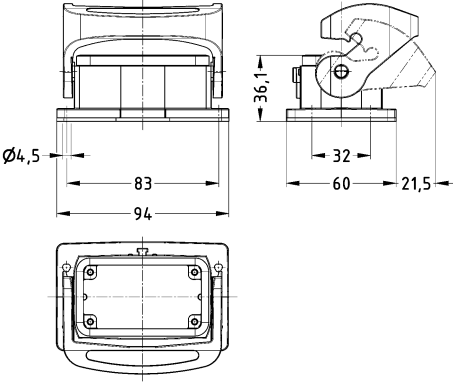
Han  
Eco

Identification	Cable entry	Clamping range (mm)	Part number	Drawing (dimensions in mm)
<p>Han-Eco® B, Hoods, With integrated cable gland, Top entry</p> 	1x M32	13 ... 21	19 43 110 0437	
<p>Han-Eco® B, Hoods, With integrated cable gland, Side entry</p>	1x M32	13 ... 21	19 43 110 0537	
<p>Han-Eco® B, Bulkhead mounted housings, With thermo-plastic cover</p> 			19 43 010 0322	 <p>Panel cut out Front mounting / Rear mounting</p>


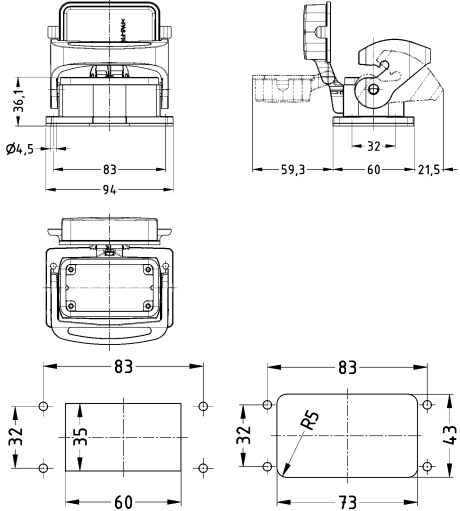

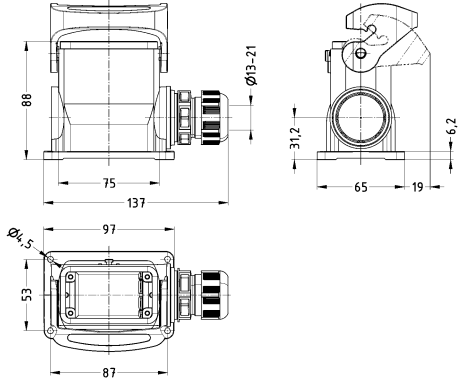

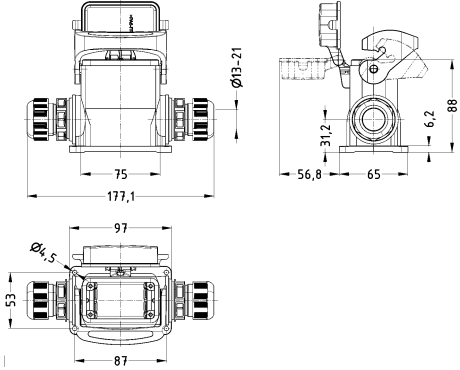
Identification	Cable entry	Clamping range (mm)	Part number	Drawing (dimensions in mm)
<p>Han-Eco® B, Surface mounted housing, With thermo-plastic cover, With integrated cable gland, Side entry</p> 	<p>1x M32 2x M32</p>	<p>13 ... 21 13 ... 21</p>	<p>19 43 110 0227 19 43 110 0267</p>	

Single locking lever

Han  
Eco


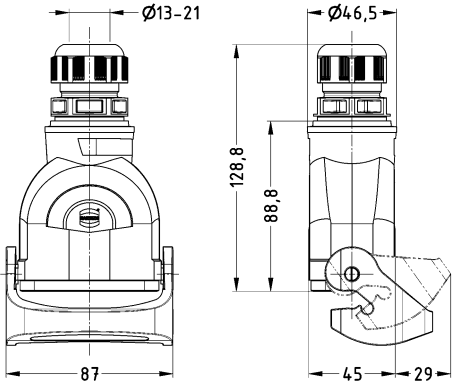
Identification	Cable entry	Clamping range (mm)	Part number	Drawing (dimensions in mm)
Han-Eco® B, Hoods, With integrated cable gland, Top entry  	1x M20 1x M25 1x M32	6 ... 13 9 ... 17 13 ... 21	19 43 110 0445 19 43 110 0446 19 43 110 0447	
Han-Eco® B, Hoods, With integrated cable gland, Side entry  	1x M20 1x M25 1x M32	6 ... 13 9 ... 17 13 ... 21	19 43 110 0545 19 43 110 0546 19 43 110 0547	
Han-Eco® B, Bulkhead mounted housings  			19 43 010 0340	



Identification	Cable entry	Clamping range (mm)	Part number	Drawing (dimensions in mm)
<p>Han-Eco® B, Bulkhead mounted housings, With thermo-plastic cover</p> 			19 43 010 0341	 <p>Panel cut out Front mounting / Rear mounting</p>
<p>Han-Eco® B, Surface mounted housing, With integrated cable gland, Side entry</p> 	<p>1x M20 1x M25 1x M32 2x M20 2x M25 2x M32</p>	<p>6 ... 13 9 ... 17 13 ... 21 6 ... 13 9 ... 17 13 ... 21</p>	<p>19 43 110 0250 19 43 110 0251 19 43 110 0252 19 43 110 0290 19 43 110 0291 19 43 110 0292</p>	
<p>Han-Eco® B, Surface mounted housing, With thermo-plastic cover, With integrated cable gland, Side entry</p> 	<p>1x M20 1x M25 1x M32 2x M20 2x M25 2x M32</p>	<p>6 ... 13 9 ... 17 13 ... 21 6 ... 13 9 ... 17 13 ... 21</p>	<p>19 43 110 0255 19 43 110 0256 19 43 110 0257 19 43 110 0295 19 43 110 0296 19 43 110 0297</p>	



Han  
Eco


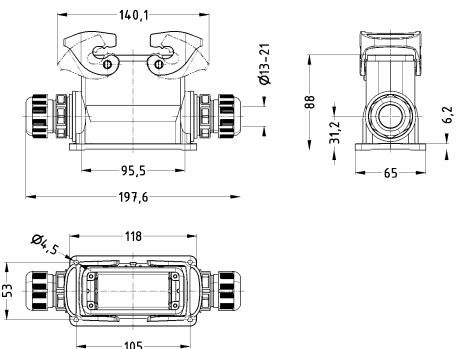

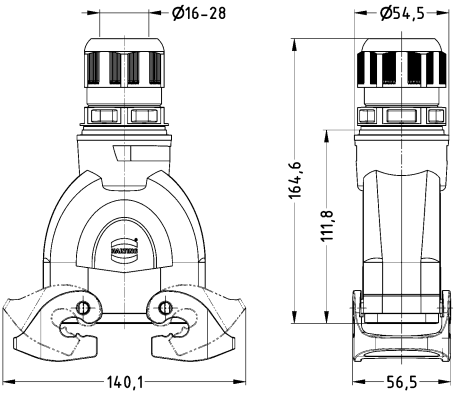

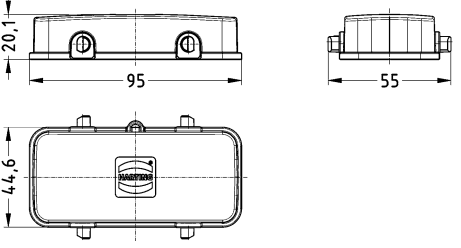
Identification	Cable entry	Clamping range (mm)	Part number	Drawing (dimensions in mm)
<p>Han-Eco® B, Cable to cable housing, With integrated cable gland, Top entry</p> 	<p>1x M20 1x M25 1x M32</p>	<p>6 ... 13 9 ... 17 13 ... 21</p>	<p>19 43 110 0755 19 43 110 0756 19 43 110 0757</p>	
<p>Han-Eco® B, Protection cover, for hoods</p> <p>Han-Eco® B, Protection cover, for bulkhead mounted housings, for surface mounted housings</p> <p>Han-Eco® B, Protection cover, for cable to cable housing</p>			<p>19 43 010 5442</p> <p>19 43 010 5410</p> <p>19 43 010 5446</p>	

Double locking lever

Han Eco


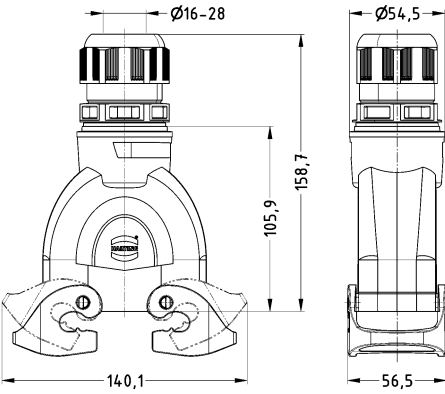
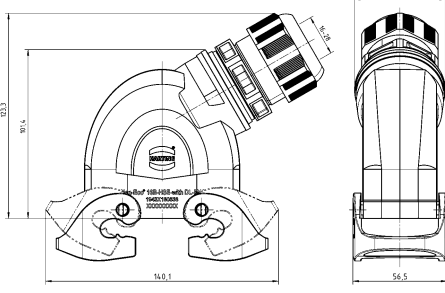

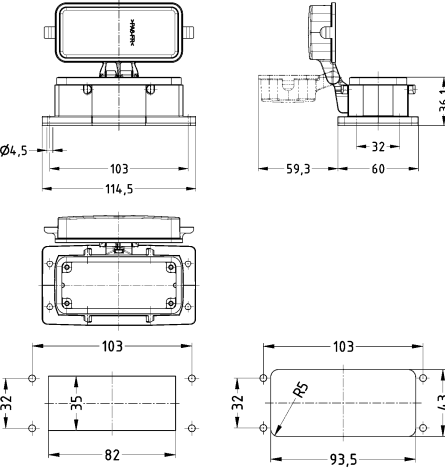
Identification	Cable entry	Clamping range (mm)	Part number	Drawing (dimensions in mm)	
Han-Eco® B, Hoods, With integrated cable gland, Top entry	1x M25 1x M32 1x M40	9 ... 17 13 ... 21 16 ... 28	19 43 116 0426 19 43 116 0427 19 43 116 0428		
Han-Eco® B, Hoods, With integrated cable gland, Side entry	1x M25 1x M32 1x M40	9 ... 17 13 ... 21 16 ... 28	19 43 116 0526 19 43 116 0527 19 43 116 0528		
Han-Eco® B, Bulkhead mounted housings			19 43 016 0320	<p>Panel cut out Front mounting / Rear mounting</p>	

Han Eco

Identification	Cable entry	Clamping range (mm)	Part number	Drawing (dimensions in mm)
<p>Han-Eco® B, Surface mounted housing, With integrated cable gland, Side entry</p> 	<p>1x M25 1x M32 1x M40 2x M25 2x M32 2x M40</p>	<p>9 ... 17 13 ... 21 16 ... 28 9 ... 17 13 ... 21 16 ... 28</p>	<p>19 43 116 0231 19 43 116 0232 19 43 116 0233 19 43 116 0271 19 43 116 0272 19 43 116 0273</p>	
<p>Han-Eco® B, Cable to cable housing, With integrated cable gland, Top entry</p> 	<p>1x M25 1x M32 1x M40</p>	<p>9 ... 17 13 ... 21 16 ... 28</p>	<p>19 43 116 0736 19 43 116 0737 19 43 116 0738</p>	
<p>Han-Eco® B, Protection cover, for hoods</p> <p>Han-Eco® B, Protection cover, for bulkhead mounted housings, for surface mounted housings</p>  <p>Han-Eco® B, Protection cover, for cable to cable housing</p>			<p>19 43 016 5422</p> <p>19 43 016 5425</p> <p>19 43 016 5426</p>	


Double locking lever (on the hood)

Han  
Eco

Identification	Cable entry	Clamping range (mm)	Part number	Drawing (dimensions in mm)
<p>Han-Eco® B, Hoods, With integrated cable gland, Top entry</p> 	1x M40	16 ... 28	19 43 116 0438	
<p>Han-Eco® B, Hoods, With integrated cable gland, Side entry</p>	1x M40	16 ... 28	19 43 116 0538	
<p>Han-Eco® B, Bulkhead mounted housings, With thermo-plastic cover</p> 			19 43 016 0322	 <p>Panel cut out Front mounting / Rear mounting</p>


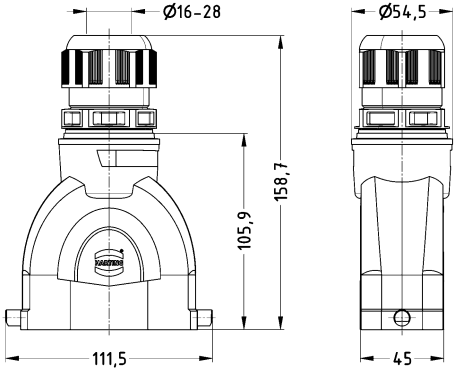

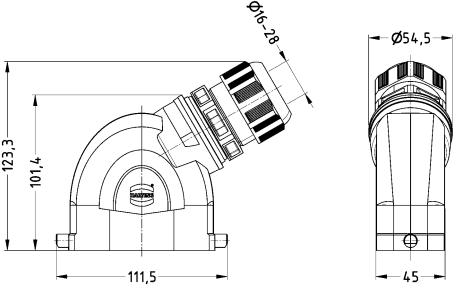

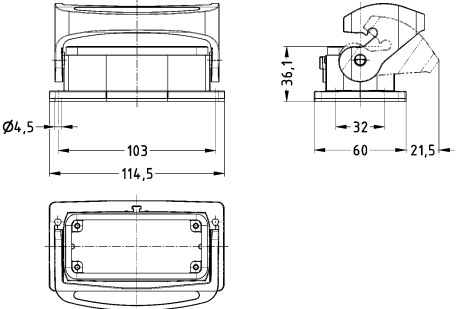


Han  
Eco

Identification	Cable entry	Clamping range (mm)	Part number	Drawing (dimensions in mm)
<p>Han-Eco® B, Surface mounted housing, With thermo-plastic cover, With integrated cable gland, Side entry</p> 	<p>1x M40 2x M40</p>	<p>16 ... 28 16 ... 28</p>	<p>19 43 116 0228 19 43 116 0268</p>	


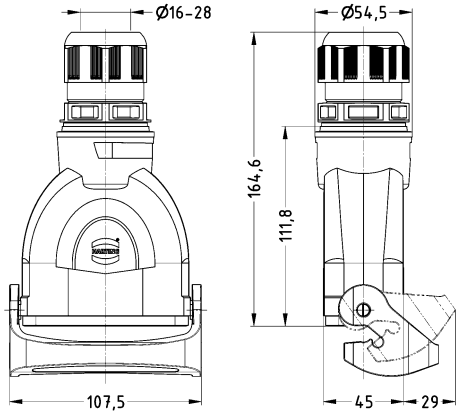
Single locking lever

Han Eco

Identification	Cable entry	Clamping range (mm)	Part number	Drawing (dimensions in mm)
<p>Han-Eco® B, Hoods, With integrated cable gland, Top entry</p> 	<p>1x M25 1x M32 1x M40</p>	<p>9 ... 17 13 ... 21 16 ... 28</p>	<p>19 43 116 0446 19 43 116 0447 19 43 116 0448</p>	
<p>Han-Eco® B, Hoods, With integrated cable gland, Side entry</p> 	<p>1x M25 1x M32 1x M40</p>	<p>9 ... 17 13 ... 21 16 ... 28</p>	<p>19 43 116 0546 19 43 116 0547 19 43 116 0548</p>	
<p>Han-Eco® B, Bulkhead mounted housings</p> 			<p>19 43 016 0340</p>	


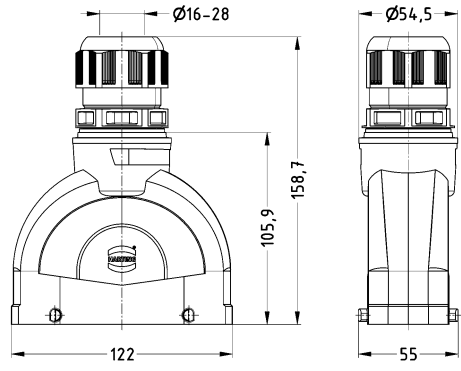

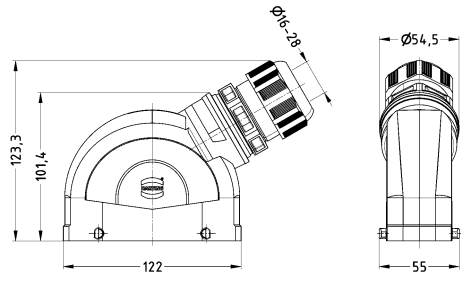

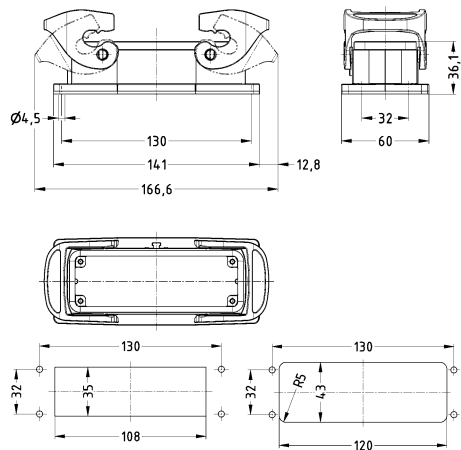



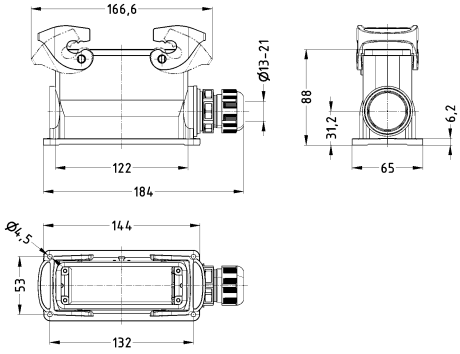

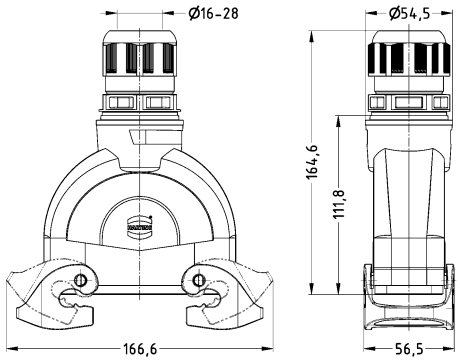

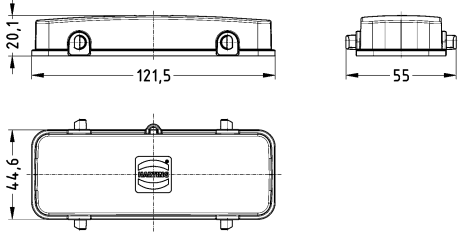


Identification	Cable entry	Clamping range (mm)	Part number	Drawing (dimensions in mm)
<p>Han-Eco® B, Cable to cable housing, With integrated cable gland, Top entry</p> 	<p>1x M25 1x M32 1x M40</p>	<p>9 ... 17 13 ... 21 16 ... 28</p>	<p>19 43 116 0756 19 43 116 0757 19 43 116 0758</p>	
<p>Han-Eco® B, Protection cover, for hoods</p> <p>Han-Eco® B, Protection cover, for bulkhead mounted housings, for surface mounted housings</p> <p>Han-Eco® B, Protection cover, for cable to cable housing</p>			<p>19 43 016 5442</p> <p>19 43 016 5410</p> <p>19 43 016 5446</p>	

Double locking lever


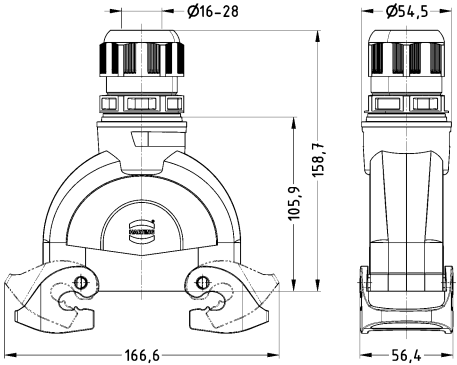

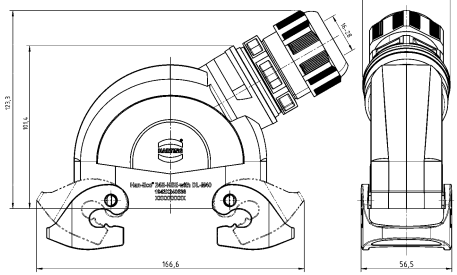

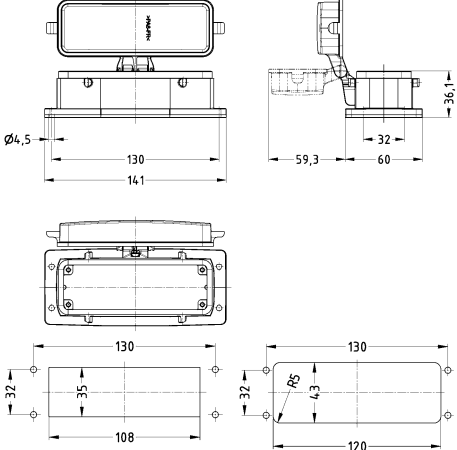
Han  
Eco


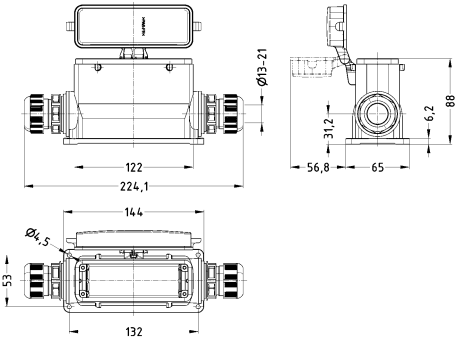
Identification	Cable entry	Clamping range (mm)	Part number	Drawing (dimensions in mm)
<p>Han-Eco® B, Hoods, With integrated cable gland, Top entry</p> 	<p>1x M32 1x M40</p>	<p>13 ... 21 16 ... 28</p>	<p>19 43 124 0427 19 43 124 0428</p>	
<p>Han-Eco® B, Hoods, With integrated cable gland, Side entry</p> 	<p>1x M32 1x M40</p>	<p>13 ... 21 16 ... 28</p>	<p>19 43 124 0527 19 43 124 0528</p>	
<p>Han-Eco® B, Bulkhead mounted housings</p> 			<p>19 43 024 0320</p>	 <p>Panel cut out Front mounting / Rear mounting</p>

Identification	Cable entry	Clamping range (mm)	Part number	Drawing (dimensions in mm)
<p>Han-Eco® B, Surface mounted housing, With integrated cable gland, Side entry</p> 	<p>1x M25 1x M32 1x M40 2x M25 2x M32 2x M40</p>	<p>9 ... 17 13 ... 21 16 ... 28 9 ... 17 13 ... 21 16 ... 28</p>	<p>19 43 124 0231 19 43 124 0232 19 43 124 0233 19 43 124 0271 19 43 124 0272 19 43 124 0273</p>	
<p>Han-Eco® B, Cable to cable housing, With integrated cable gland, Top entry</p> 	<p>1x M32 1x M40</p>	<p>13 ... 21 16 ... 28</p>	<p>19 43 124 0737 19 43 124 0738</p>	
<p>Han-Eco® B, Protection cover, for hoods</p> <p>Han-Eco® B, Protection cover, for bulkhead mounted housings, for surface mounted housings</p>  <p>Han-Eco® B, Protection cover, for cable to cable housing</p>			<p>19 43 024 5422</p> <p>19 43 024 5425</p> <p>19 43 024 5426</p>	

Double locking lever (on the hood)


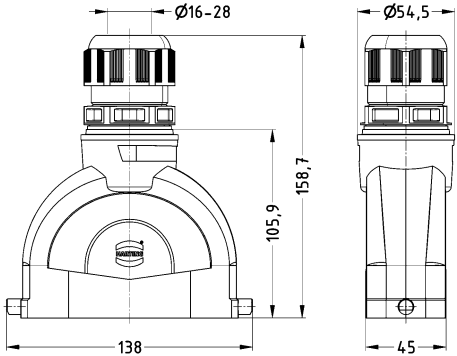

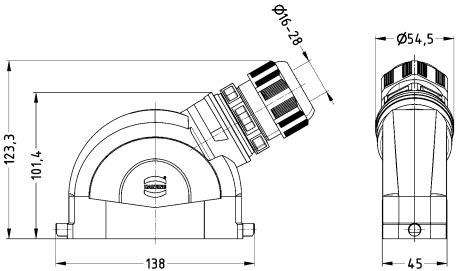

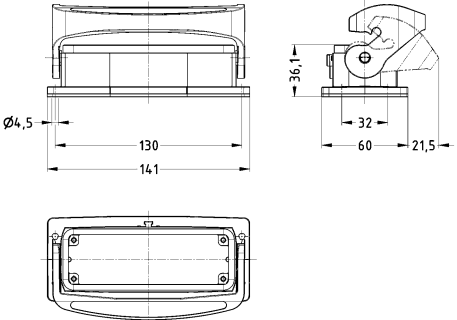
Han  
Eco


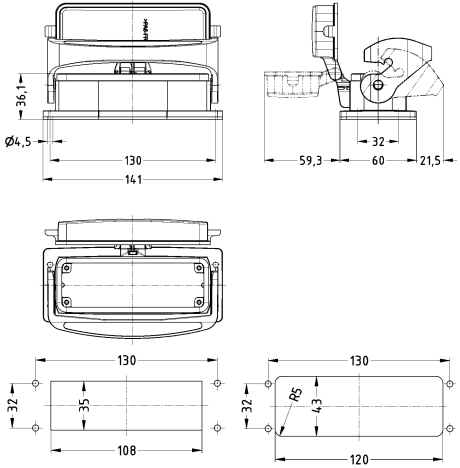

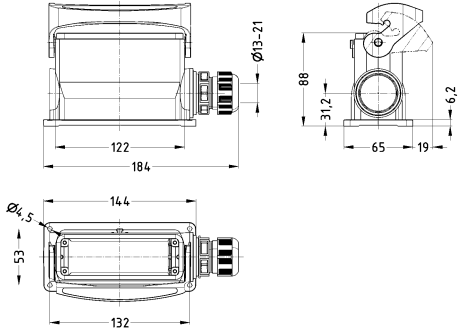

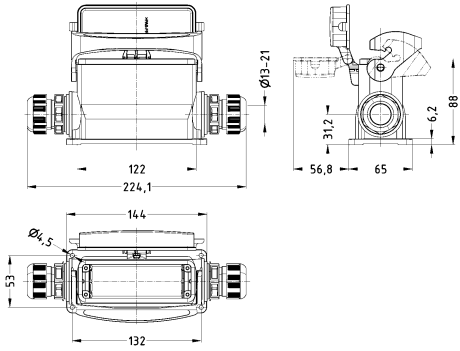
Identification	Cable entry	Clamping range (mm)	Part number	Drawing (dimensions in mm)
Han-Eco® B, Hoods, With integrated cable gland, Top entry  	1x M40	16 ... 28	19 43 124 0438	
Han-Eco® B, Hoods, With integrated cable gland, Side entry  	1x M40	16 ... 28	19 43 124 0538	
Han-Eco® B, Bulkhead mounted housings, With thermo-plastic cover  			19 43 024 0322	 <p>Panel cut out Front mounting / Rear mounting</p>

Identification	Cable entry	Clamping range (mm)	Part number	Drawing (dimensions in mm)
<p>Han-Eco® B, Surface mounted housing, With thermo-plastic cover, With integrated cable gland, Side entry</p> 	<p>1x M32 1x M40 2x M32 2x M40</p>	<p>13 ... 21 16 ... 28 13 ... 21 16 ... 28</p>	<p>19 43 124 0227 19 43 124 0228 19 43 124 0267 19 43 124 0268</p>	

Single locking lever


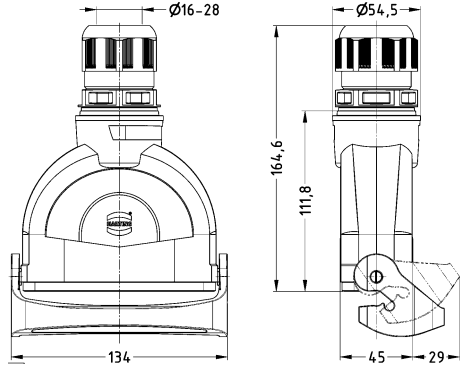
Han  
Eco

Identification	Cable entry	Clamping range (mm)	Part number	Drawing (dimensions in mm)
<p>Han-Eco® B, Hoods, With integrated cable gland, Top entry</p> 	<p>1x M32 1x M40</p>	<p>13 ... 21 16 ... 28</p>	<p>19 43 124 0447 19 43 124 0448</p>	
<p>Han-Eco® B, Hoods, With integrated cable gland, Side entry</p> 	<p>1x M32 1x M40</p>	<p>13 ... 21 16 ... 28</p>	<p>19 43 124 0547 19 43 124 0548</p>	
<p>Han-Eco® B, Bulkhead mounted housings</p> 			<p>19 43 024 0340</p>	

Identification	Cable entry	Clamping range (mm)	Part number	Drawing (dimensions in mm)
<p>Han-Eco® B, Bulkhead mounted housings, With thermo-plastic cover</p> 			19 43 024 0341	 <p>Panel cut out Front mounting / Rear mounting</p>
<p>Han-Eco® B, Surface mounted housing, With integrated cable gland, Side entry</p> 	<p>1x M25 1x M32 1x M40 2x M25 2x M32 2x M40</p>	<p>9 ... 17 13 ... 21 16 ... 28 9 ... 17 13 ... 21 16 ... 28</p>	<p>19 43 124 0251 19 43 124 0252 19 43 124 0253 19 43 124 0291 19 43 124 0292 19 43 124 0293</p>	
<p>Han-Eco® B, Surface mounted housing, With thermo-plastic cover, With integrated cable gland, Side entry</p> 	<p>1x M25 1x M32 1x M40 2x M25 2x M32 2x M40</p>	<p>9 ... 17 13 ... 21 16 ... 28 9 ... 17 13 ... 21 16 ... 28</p>	<p>19 43 124 0256 19 43 124 0257 19 43 124 0258 19 43 124 0296 19 43 124 0297 19 43 124 0298</p>	



Han  
Eco

Identification	Cable entry	Clamping range (mm)	Part number	Drawing (dimensions in mm)
<p>Han-Eco® B, Cable to cable housing, With integrated cable gland, Top entry</p> 	<p>1x M32 1x M40</p>	<p>13 ... 21 16 ... 28</p>	<p>19 43 124 0757 19 43 124 0758</p>	
<p>Han-Eco® B, Protection cover, for hoods</p> <p>Han-Eco® B, Protection cover, for bulkhead mounted housings, for surface mounted housings</p> <p>Han-Eco® B, Protection cover, for cable to cable housing</p>			<p>19 43 024 5442</p> <p>19 43 024 5410</p> <p>19 43 024 5446</p>	



## Features

- Suitable for standard inserts and modules from the Han-Modular® portfolio
- With integrated cable gland
- Suitable for applications according to protection class II
- Minimal weight with excellent mechanical robustness

## Technical characteristics

Limiting temperature	-40 ... +125 °C
Degree of protection acc. to IEC 60529	IP65
Material (hood/housing)	Polyamide, Fibre-glass reinforced
Colour (hood/housing)	RAL 9005 (jet black)
Material (seal)	FPM
Colour (seal)	RAL 7001 (silver-grey)
Material (locking)	Polyamide, Fibre-glass reinforced
Colour (locking)	RAL 9005 (jet black)
Material flammability class acc. to UL 94	V-0
Material flammability class acc. to UL 94 (locking levers)	V-0

## Specifications and approvals

IEC 61984  
 EN 45545-2  
 R22: HL1, HL2, HL3  
 R23: HL1, HL2, HL3  
 R24: HL1, HL2, HL3

## Details


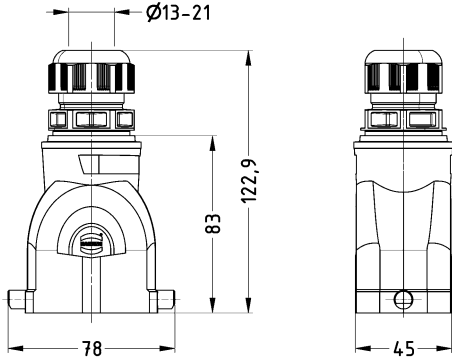

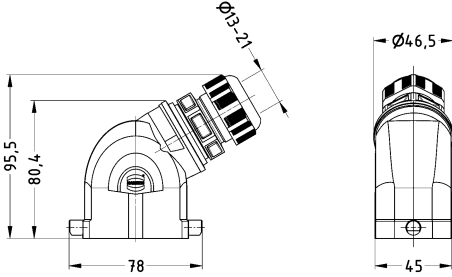

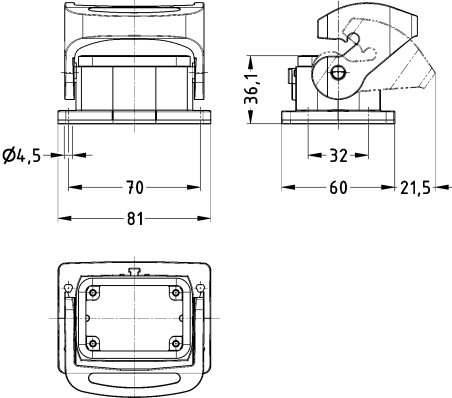
Mating compatible with all metal hoods and housings of the series Han® B.


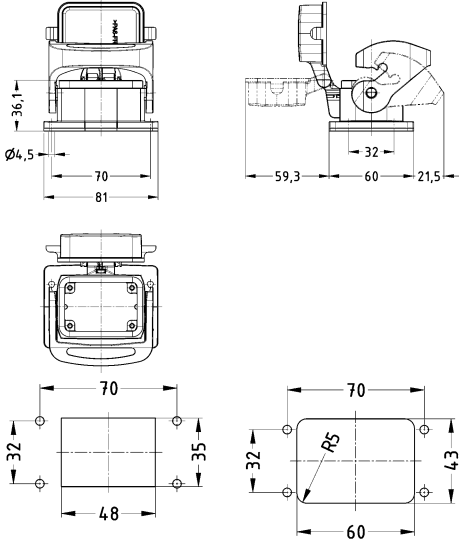

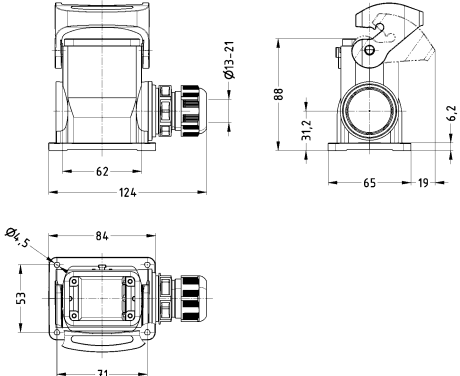

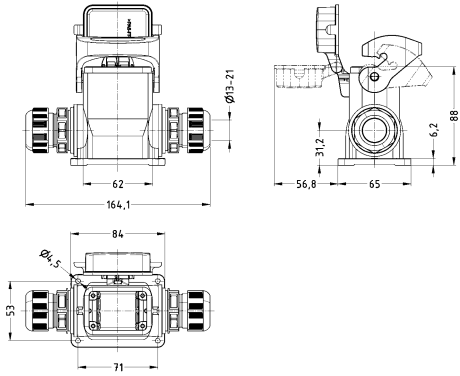
As an option a larger panel cut out for the rear assembly of the bulkhead mounted housings is possible.

Available as from October 2018


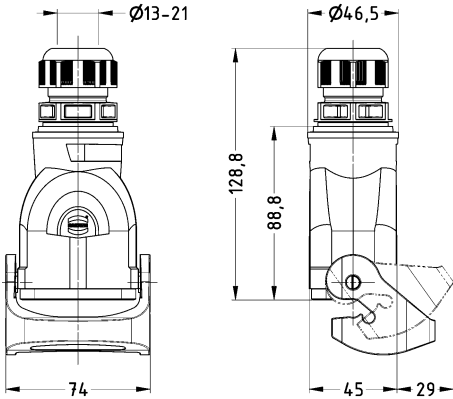
Single locking lever

Han  
Eco

Identification	Cable entry	Clamping range (mm)	Part number	Drawing (dimensions in mm)
Han-Eco® B, Hoods, With integrated cable gland, Top entry  	1x M20 1x M25 1x M32	6 ... 13 9 ... 17 13 ... 21	19 43 106 0445 19 43 106 0446 19 43 106 0447	
Han-Eco® B, Hoods, With integrated cable gland, Side entry  	1x M20 1x M25 1x M32	6 ... 13 9 ... 17 13 ... 21	19 43 106 0545 19 43 106 0546 19 43 106 0547	
Han-Eco® B, Bulkhead mounted housings  			19 43 206 0340	


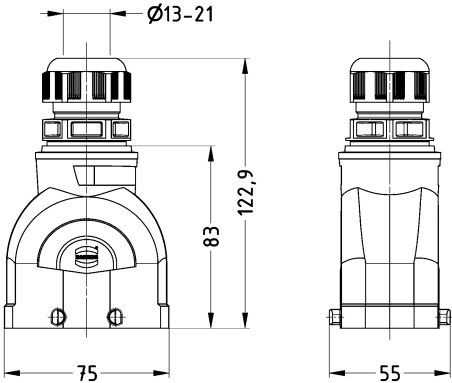

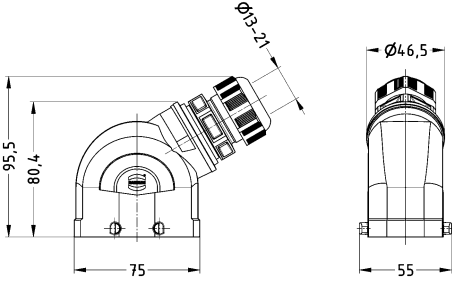

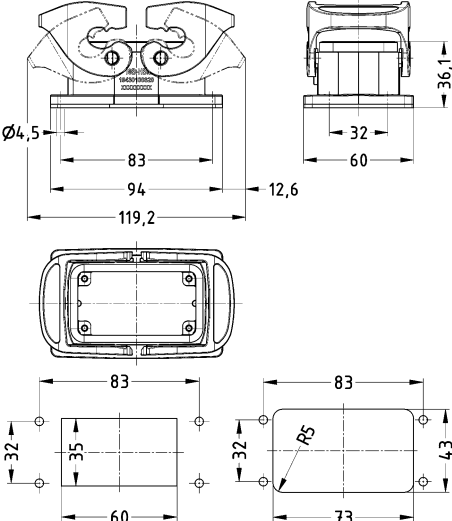
Identification	Cable entry	Clamping range (mm)	Part number	Drawing (dimensions in mm)
<p>Han-Eco® B, Bulkhead mounted housings, With thermo-plastic cover</p> 			19 43 206 0341	 <p>Panel cut out Front mounting / Rear mounting</p>
<p>Han-Eco® B, Surface mounted housing, With integrated cable gland, Side entry</p> 	<p>1x M20 1x M25 1x M32 2x M20 2x M25 2x M32</p>	<p>6 ... 13 9 ... 17 13 ... 21 6 ... 13 9 ... 17 13 ... 21</p>	<p>19 43 306 0250 19 43 306 0251 19 43 306 0252 19 43 306 0290 19 43 306 0291 19 43 306 0292</p>	
<p>Han-Eco® B, Surface mounted housing, With thermo-plastic cover, With integrated cable gland, Side entry</p> 	<p>1x M20 1x M25 1x M32 2x M20 2x M25 2x M32</p>	<p>6 ... 13 9 ... 17 13 ... 21 6 ... 13 9 ... 17 13 ... 21</p>	<p>19 43 306 0255 19 43 306 0256 19 43 306 0257 19 43 306 0295 19 43 306 0296 19 43 306 0297</p>	

Han  
Eco


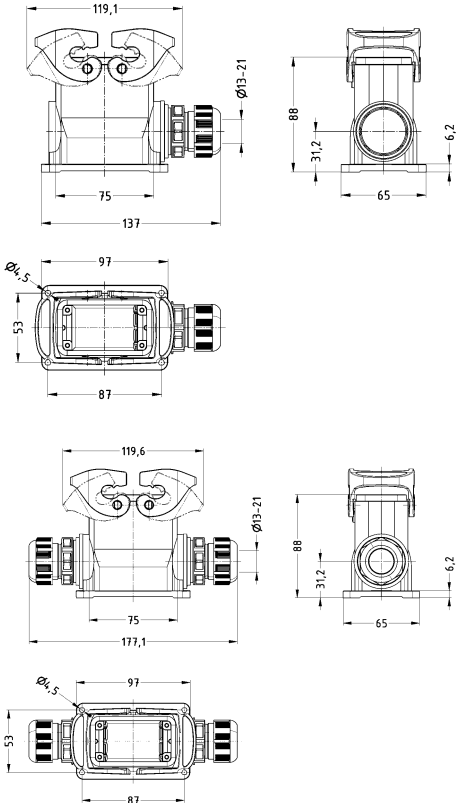

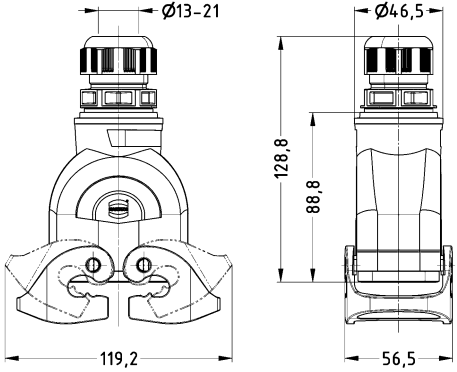
Identification	Cable entry	Clamping range (mm)	Part number	Drawing (dimensions in mm)
<p>Han-Eco® B, Cable to cable housing, With integrated cable gland, Top entry</p> 	<p>1x M20 1x M25 1x M32</p>	<p>6 ... 13 9 ... 17 13 ... 21</p>	<p>19 43 306 0755 19 43 306 0756 19 43 306 0757</p>	
<p>Han-Eco® B, Protection cover, for hoods</p> <p>Han-Eco® B, Protection cover, for bulkhead mounted housings, for surface mounted housings</p> <p>Han-Eco® B, Protection cover, for cable to cable housing</p>			<p>19 43 206 5442</p> <p>19 43 006 5410</p> <p>19 43 006 5446</p>	

Double locking lever

Han  
Eco


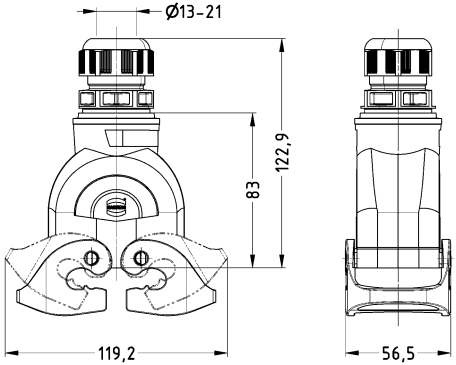
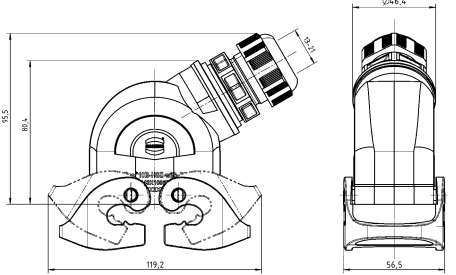

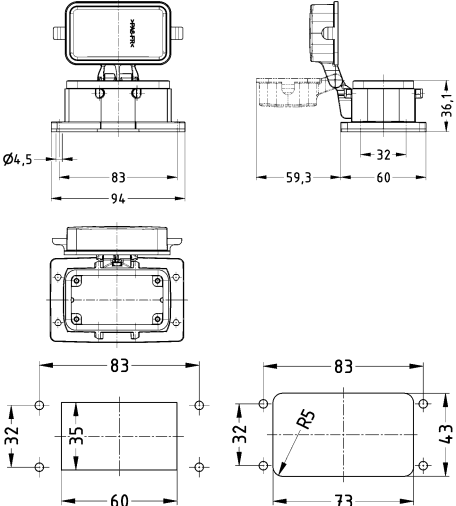
Identification	Cable entry	Clamping range (mm)	Part number	Drawing (dimensions in mm)
Han-Eco® B, Hoods, With integrated cable gland, Top entry  	1x M20 1x M25 1x M32	6 ... 13 9 ... 17 13 ... 21	19 43 110 0425 19 43 110 0426 19 43 110 0427	
Han-Eco® B, Hoods, With integrated cable gland, Side entry  	1x M20 1x M25 1x M32	6 ... 13 9 ... 17 13 ... 21	19 43 110 0525 19 43 110 0526 19 43 110 0527	
Han-Eco® B, Bulkhead mounted housings  			19 43 210 0320	 <p>Panel cut out Front mounting / Rear mounting</p>

Han Eco

Identification	Cable entry	Clamping range (mm)	Part number	Drawing (dimensions in mm)
<p>Han-Eco® B, Surface mounted housing, With integrated cable gland, Side entry</p> 	<p>1x M20 1x M25 1x M32 1x M40 2x M20 2x M25 2x M32</p>	<p>6 ... 13 9 ... 17 13 ... 21 16 ... 28 6 ... 13 9 ... 17 13 ... 21</p>	<p>19 43 310 0230 19 43 310 0231 19 43 310 0232 19 43 310 0233 19 43 310 0270 19 43 310 0271 19 43 310 0272</p>	
<p>Han-Eco® B, Cable to cable housing, With integrated cable gland, Top entry</p> 	<p>1x M20 1x M25 1x M32</p>	<p>6 ... 13 9 ... 17 13 ... 21</p>	<p>19 43 310 0735 19 43 310 0736 19 43 310 0737</p>	
<p>Han-Eco® B, Protection cover, for hoods</p>			<p>19 43 210 5422</p>	


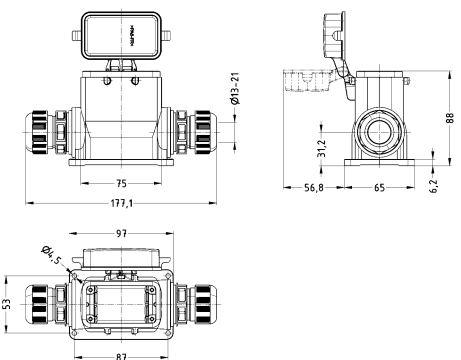
Double locking lever (on the hood)

Han  
Eco

Identification	Cable entry	Clamping range (mm)	Part number	Drawing (dimensions in mm)
<p>Han-Eco® B, Hoods, With integrated cable gland, Top entry</p> 	1x M32	13 ... 21	19 43 110 0437	
<p>Han-Eco® B, Hoods, With integrated cable gland, Side entry</p>	1x M32	13 ... 21	19 43 110 0537	
<p>Han-Eco® B, Bulkhead mounted housings, With thermo-plastic cover</p> 			19 43 210 0322	 <p>Panel cut out Front mounting / Rear mounting</p>




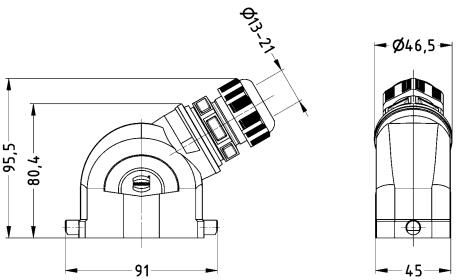

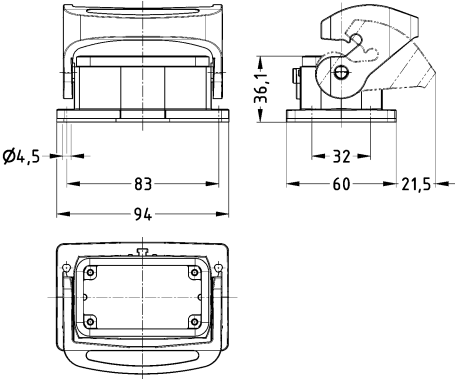

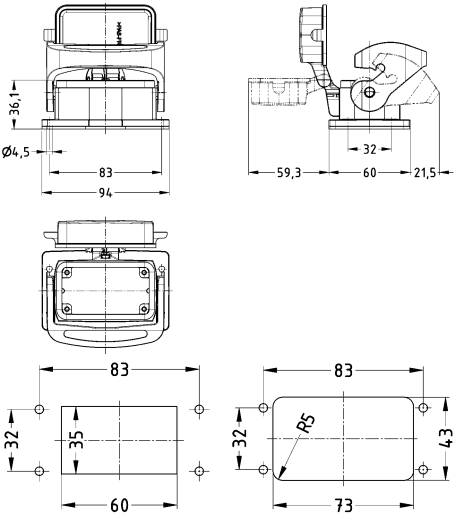
Han  
Eco

Identification	Cable entry	Clamping range (mm)	Part number	Drawing (dimensions in mm)
<p>Han-Eco® B, Surface mounted housing, With thermo-plastic cover, With integrated cable gland, Side entry</p> 	<p>1x M32 2x M32</p>	<p>13 ... 21 13 ... 21</p>	<p>19 43 310 0227 19 43 310 0267</p>	



Single locking lever

Han  
Eco

Identification	Cable entry	Clamping range (mm)	Part number	Drawing (dimensions in mm)
Han-Eco® B, Hoods, With integrated cable gland, Side entry  	1x M20 1x M25 1x M32	6 ... 13 9 ... 17 13 ... 21	19 43 110 0545 19 43 110 0546 19 43 110 0547	
Han-Eco® B, Bulkhead mounted housings  			19 43 210 0340	
Han-Eco® B, Bulkhead mounted housings, With thermo-plastic cover  			19 43 210 0341	 <p data-bbox="995 1921 1318 1971">Panel cut out Front mounting / Rear mounting</p>

Han Eco

Identification	Cable entry	Clamping range (mm)	Part number	Drawing (dimensions in mm)
Han-Eco® B, Surface mounted housing, With integrated cable gland, Side entry	1x M20 1x M25 1x M32 2x M20 2x M25 2x M32	6 ... 13 9 ... 17 13 ... 21 6 ... 13 9 ... 17 13 ... 21	19 43 310 0250 19 43 310 0251 19 43 310 0252 19 43 310 0290 19 43 310 0291 19 43 310 0292	
Han-Eco® B, Surface mounted housing, With thermo-plastic cover, With integrated cable gland, Side entry	1x M20 1x M25 1x M32 2x M20 2x M25 2x M32	6 ... 13 9 ... 17 13 ... 21 6 ... 13 9 ... 17 13 ... 21	19 43 310 0255 19 43 310 0256 19 43 310 0257 19 43 310 0295 19 43 310 0296 19 43 310 0297	
Han-Eco® B, Cable to cable housing, With integrated cable gland, Top entry	1x M20 1x M25 1x M32	6 ... 13 9 ... 17 13 ... 21	19 43 310 0755 19 43 310 0756 19 43 310 0757	
Han-Eco® B, Protection cover, for hoods			19 43 210 5442	


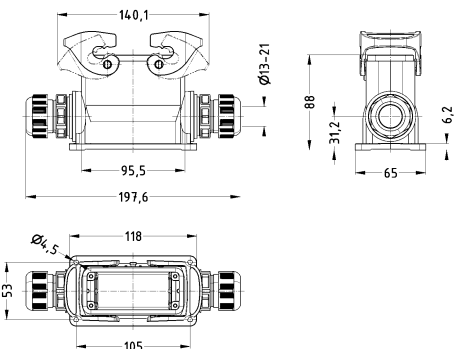

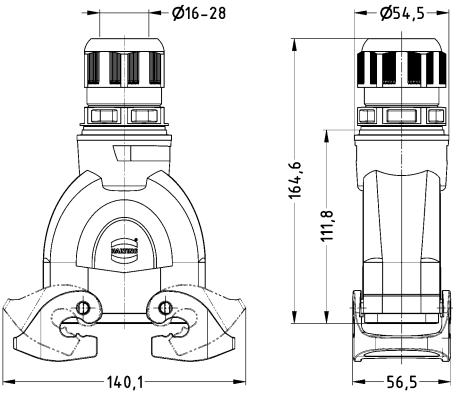
Double locking lever

Han  
Eco

Identification	Cable entry	Clamping range (mm)	Part number	Drawing (dimensions in mm)	
Han-Eco® B, Hoods, With integrated cable gland, Top entry	1x M25 1x M32 1x M40	9 ... 17 13 ... 21 16 ... 28	19 43 116 0426 19 43 116 0427 19 43 116 0428		
Han-Eco® B, Hoods, With integrated cable gland, Side entry	1x M25 1x M32 1x M40	9 ... 17 13 ... 21 16 ... 28	19 43 116 0526 19 43 116 0527 19 43 116 0528		
Han-Eco® B, Bulkhead mounted housings			19 43 216 0320	<p>Panel cut out Front mounting / Rear mounting</p>	


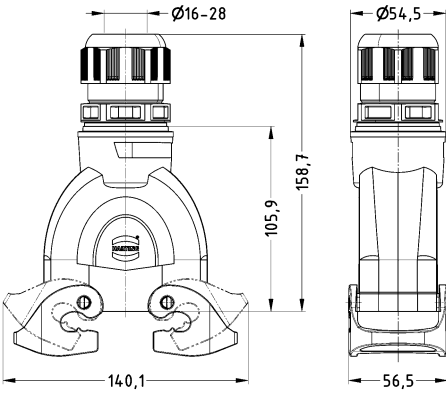
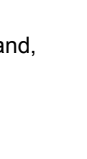
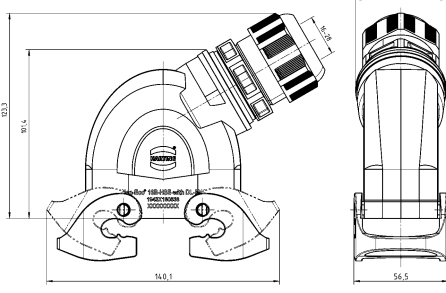

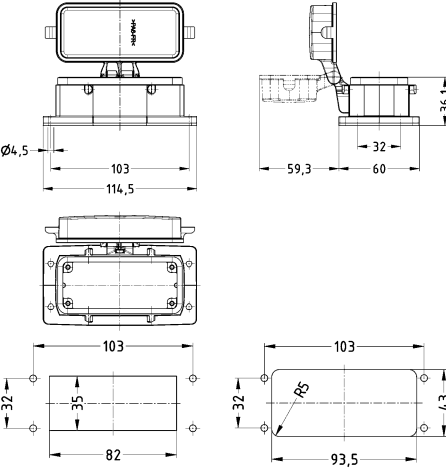


Han Eco

Identification	Cable entry	Clamping range (mm)	Part number	Drawing (dimensions in mm)
<p>Han-Eco® B, Surface mounted housing, With integrated cable gland, Side entry</p> 	<p>1x M25 1x M32 1x M40 2x M25 2x M32 2x M40</p>	<p>9 ... 17 13 ... 21 16 ... 28 9 ... 17 13 ... 21 16 ... 28</p>	<p>19 43 316 0231 19 43 316 0232 19 43 316 0233 19 43 316 0271 19 43 316 0272 19 43 316 0273</p>	
<p>Han-Eco® B, Cable to cable housing, With integrated cable gland, Top entry</p> 	<p>1x M25 1x M32 1x M40</p>	<p>9 ... 17 13 ... 21 16 ... 28</p>	<p>19 43 316 0736 19 43 316 0737 19 43 316 0738</p>	
<p>Han-Eco® B, Protection cover, for hoods</p>			<p>19 43 216 5422</p>	


Double locking lever (on the hood)

Han  
Eco

Identification	Cable entry	Clamping range (mm)	Part number	Drawing (dimensions in mm)
Han-Eco® B, Hoods, With integrated cable gland, Top entry  	1x M40	16 ... 28	19 43 116 0438	
Han-Eco® B, Hoods, With integrated cable gland, Side entry  	1x M40	16 ... 28	19 43 116 0538	
Han-Eco® B, Bulkhead mounted housings, With thermo-plastic cover  			19 43 216 0322	 <p>Panel cut out Front mounting / Rear mounting</p>


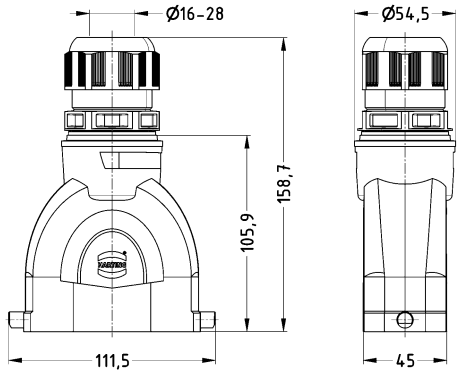

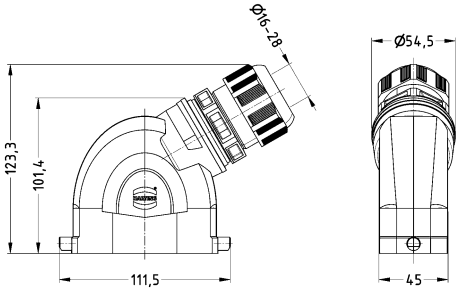

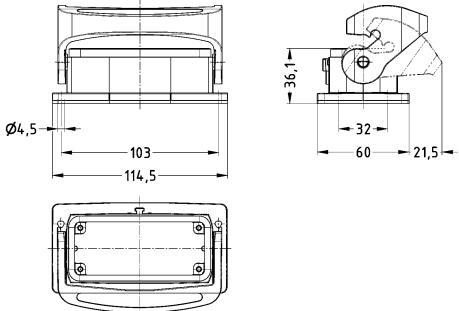


Han  
Eco

Identification	Cable entry	Clamping range (mm)	Part number	Drawing (dimensions in mm)
<p>Han-Eco® B, Surface mounted housing, With thermo-plastic cover, With integrated cable gland, Side entry</p> 	<p>1x M40 2x M40</p>	<p>16 ... 28 16 ... 28</p>	<p>19 43 316 0228 19 43 316 0268</p>	


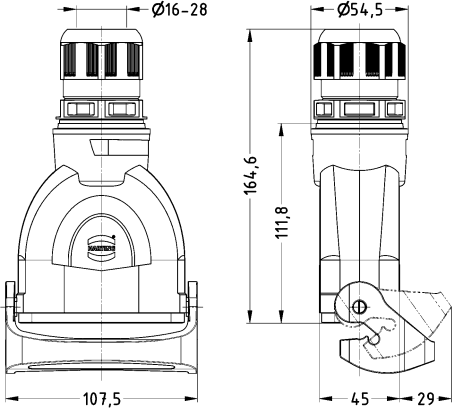
Single locking lever

Han  
Eco

Identification	Cable entry	Clamping range (mm)	Part number	Drawing (dimensions in mm)
Han-Eco® B, Hoods, With integrated cable gland, Top entry  	1x M25 1x M32 1x M40	9 ... 17 13 ... 21 16 ... 28	19 43 116 0446 19 43 116 0447 19 43 116 0448	
Han-Eco® B, Hoods, With integrated cable gland, Side entry  	1x M25 1x M32 1x M40	9 ... 17 13 ... 21 16 ... 28	19 43 116 0546 19 43 116 0547 19 43 116 0548	
Han-Eco® B, Bulkhead mounted housings  			19 43 216 0340	


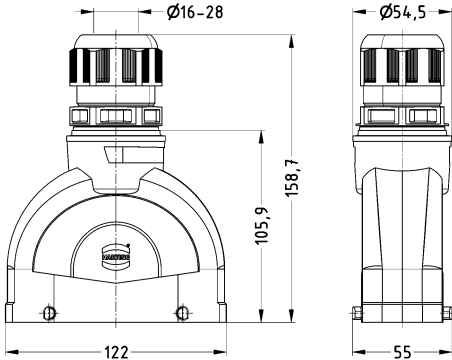

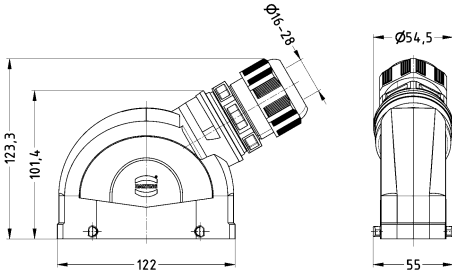

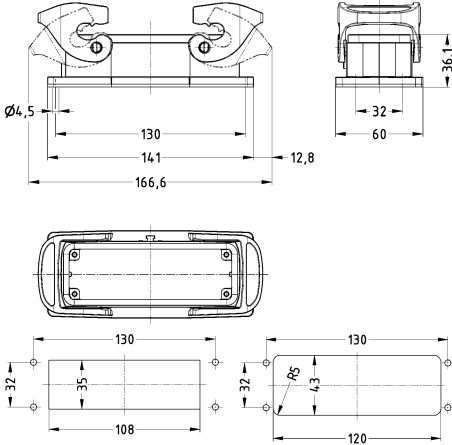




Identification	Cable entry	Clamping range (mm)	Part number	Drawing (dimensions in mm)
Han-Eco® B, Cable to cable housing, With integrated cable gland, Top entry 	1x M25 1x M32 1x M40	9 ... 17 13 ... 21 16 ... 28	19 43 316 0756 19 43 316 0757 19 43 316 0758	
Han-Eco® B, Protection cover, for hoods			19 43 216 5442	

Double locking lever


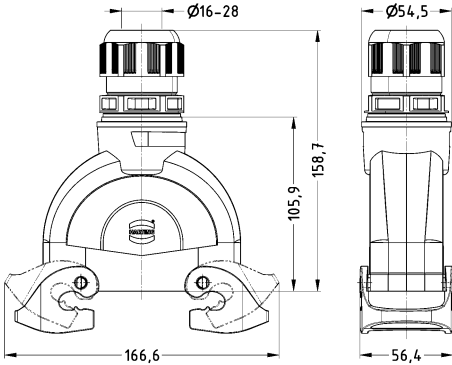

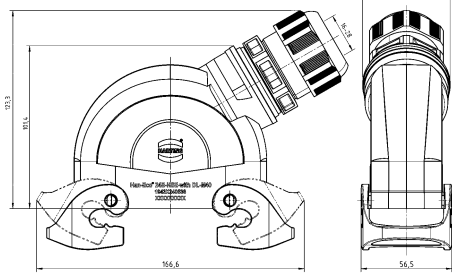

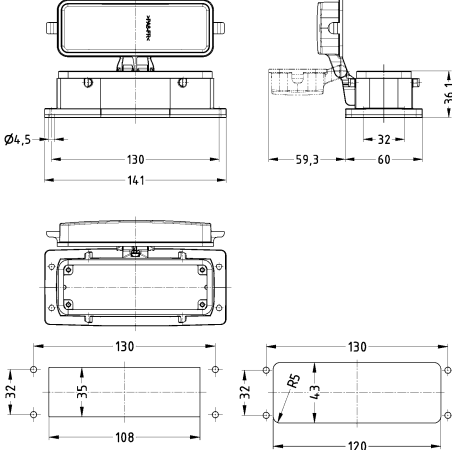
Han  
Eco

Identification	Cable entry	Clamping range (mm)	Part number	Drawing (dimensions in mm)
<p>Han-Eco® B, Hoods, With integrated cable gland, Top entry</p> 	<p>1x M32 1x M40</p>	<p>13 ... 21 16 ... 28</p>	<p>19 43 124 0427 19 43 124 0428</p>	
<p>Han-Eco® B, Hoods, With integrated cable gland, Side entry</p> 	<p>1x M32 1x M40</p>	<p>13 ... 21 16 ... 28</p>	<p>19 43 124 0527 19 43 124 0528</p>	
<p>Han-Eco® B, Bulkhead mounted housings</p> 			<p>19 43 224 0320</p>	 <p>Panel cut out Front mounting / Rear mounting</p>


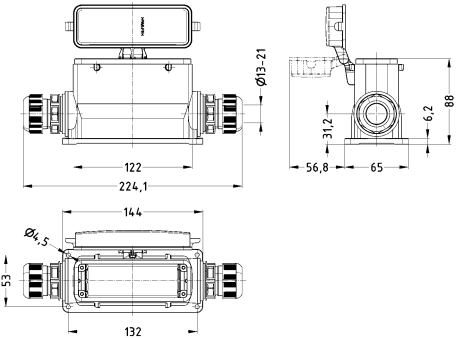
Identification	Cable entry	Clamping range (mm)	Part number	Drawing (dimensions in mm)
Han-Eco® B, Surface mounted housing, With integrated cable gland, Side entry	1x M25 1x M32 1x M40 2x M25 2x M32 2x M40	9 ... 17 13 ... 21 16 ... 28 9 ... 17 13 ... 21 16 ... 28	19 43 324 0231 19 43 324 0232 19 43 324 0233 19 43 324 0271 19 43 324 0272 19 43 324 0273	
Han-Eco® B, Cable to cable housing, With integrated cable gland, Top entry	1x M32 1x M40	13 ... 21 16 ... 28	19 43 324 0737 19 43 324 0738	
Han-Eco® B, Protection cover, for hoods			19 43 224 5422	

Double locking lever (on the hood)

Han  
Eco


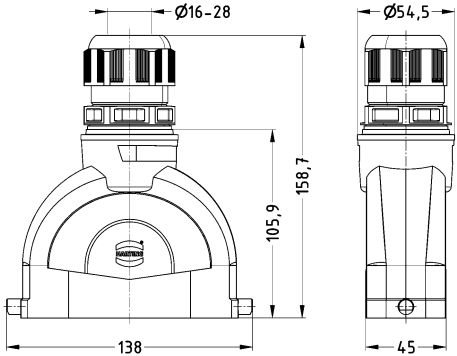

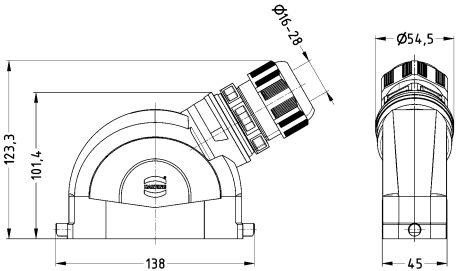

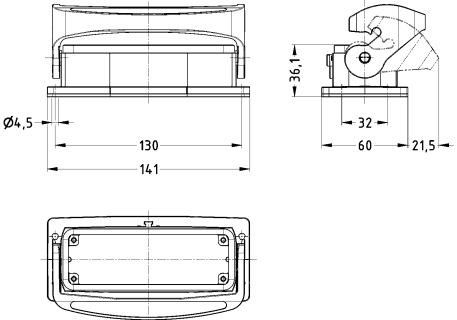
Identification	Cable entry	Clamping range (mm)	Part number	Drawing (dimensions in mm)
Han-Eco® B, Hoods, With integrated cable gland, Top entry  	1x M40	16 ... 28	19 43 124 0438	
Han-Eco® B, Hoods, With integrated cable gland, Side entry  	1x M40	16 ... 28	19 43 124 0538	
Han-Eco® B, Bulkhead mounted housings, With thermo-plastic cover  			19 43 224 0322	 <p>Panel cut out Front mounting / Rear mounting</p>


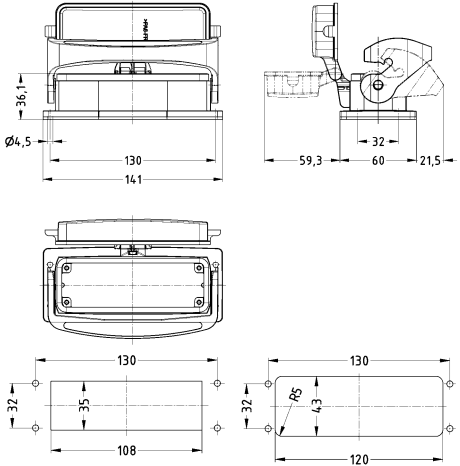

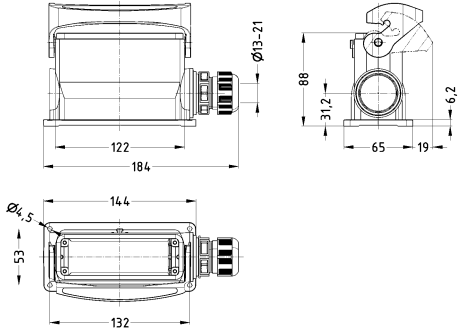

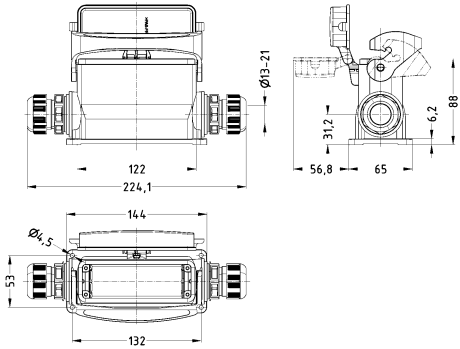


Identification	Cable entry	Clamping range (mm)	Part number	Drawing (dimensions in mm)
<p>Han-Eco® B, Surface mounted housing, With thermo-plastic cover, With integrated cable gland, Side entry</p> 	<p>1x M32 1x M40 2x M32 2x M40</p>	<p>13 ... 21 16 ... 28 13 ... 21 16 ... 28</p>	<p>19 43 324 0227 19 43 324 0228 19 43 324 0267 19 43 324 0268</p>	

Single locking lever


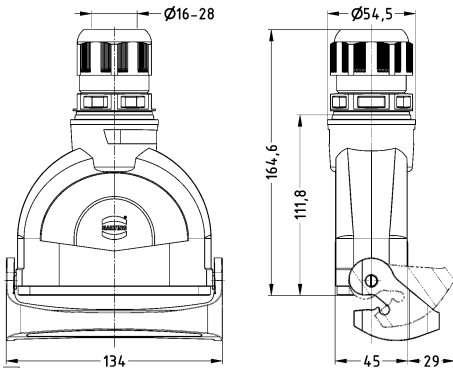
Han  
Eco

Identification	Cable entry	Clamping range (mm)	Part number	Drawing (dimensions in mm)
<p>Han-Eco® B, Hoods, With integrated cable gland, Top entry</p> 	<p>1x M32 1x M40</p>	<p>13 ... 21 16 ... 28</p>	<p>19 43 124 0447 19 43 124 0448</p>	
<p>Han-Eco® B, Hoods, With integrated cable gland, Side entry</p> 	<p>1x M32 1x M40</p>	<p>13 ... 21 16 ... 28</p>	<p>19 43 124 0547 19 43 124 0548</p>	
<p>Han-Eco® B, Bulkhead mounted housings</p> 			<p>19 43 224 0340</p>	

Identification	Cable entry	Clamping range (mm)	Part number	Drawing (dimensions in mm)
<p>Han-Eco® B, Bulkhead mounted housings, With thermo-plastic cover</p> 			19 43 224 0341	 <p>Panel cut out Front mounting / Rear mounting</p>
<p>Han-Eco® B, Surface mounted housing, With integrated cable gland, Side entry</p> 	<p>1x M25 1x M32 1x M40 2x M25 2x M32 2x M40</p>	<p>9 ... 17 13 ... 21 16 ... 28 9 ... 17 13 ... 21 16 ... 28</p>	<p>19 43 324 0251 19 43 324 0252 19 43 324 0253 19 43 324 0291 19 43 324 0292 19 43 324 0293</p>	
<p>Han-Eco® B, Surface mounted housing, With thermo-plastic cover, With integrated cable gland, Side entry</p> 	<p>1x M25 1x M32 1x M40 2x M25 2x M32 2x M40</p>	<p>9 ... 17 13 ... 21 16 ... 28 9 ... 17 13 ... 21 16 ... 28</p>	<p>19 43 324 0256 19 43 324 0257 19 43 324 0258 19 43 324 0296 19 43 324 0297 19 43 324 0298</p>	



Han  
Eco

Identification	Cable entry	Clamping range (mm)	Part number	Drawing (dimensions in mm)
<p>Han-Eco® B, Cable to cable housing, With integrated cable gland, Top entry</p> 	<p>1x M32 1x M40</p>	<p>13 ... 21 16 ... 28</p>	<p>19 43 324 0757 19 43 324 0758</p>	
<p>Han-Eco® B, Protection cover, for hoods</p>			<p>19 43 224 5442</p>	



Number of contacts

# 1


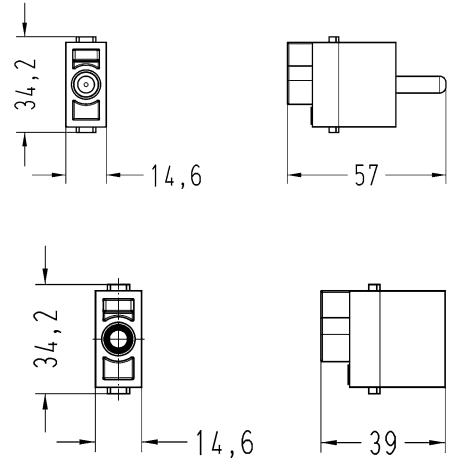

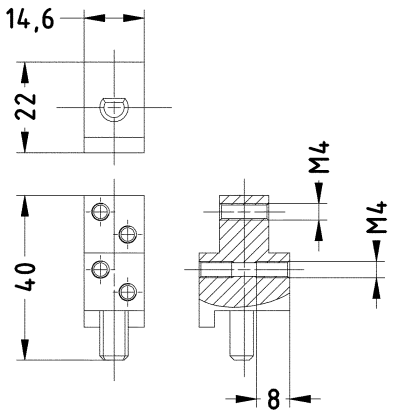
Han  
Eco

## Technical characteristics

Number of contacts	1
Limiting temperature	-40 ... +125 °C
Mating cycles	≥500
Colour (insert)	RAL 7032 (pebble grey)
Material (accessories)	Brass, zinc plated
RoHS	compliant with exemption
RoHS exemptions	<b>6a:</b> Lead as an alloying element in steel for machining purposes and in galvanised steel containing up to 0,35 % lead by weight, <b>6c:</b> Copper alloy containing up to 4 % lead by weight

## Specifications and approvals

UL 1977 ECBT2.E235076  
IEC 61984

Identification	Conductor cross-section (mm <sup>2</sup> )	Part number		Drawing (dimensions in mm)
		Male	Female	
<p>Han-Eco® Modular, Contact module, Screw termination</p>  <p>With 09 99 000 0830 HARTING Crimping tool also cable up to 25 mm<sup>2</sup> with ferrule adaptable Not for Han-Modular® hinged frames!</p>	1,5 ... 16	19 41 001 2600	19 41 001 2700	
<p>Han-Eco® Modular, PE Multiple ground connection, Up to 8 contacts</p> 	0,5 ... 6 with cable shoe M4 (total max. 25 mm <sup>2</sup> )	19 41 000 9999	19 41 000 9999	

## Technical characteristics

Limiting temperature -20 ... +100 °C  
Material (cable glands) Polyamide

## Technical characteristics

Colour (accessories) RAL 9005 (jet black)  
RoHS compliant

Identification                      Size                      Clamping range (mm)                      Part number                      Drawing (dimensions in mm)

Han-Eco®,  
Cable gland



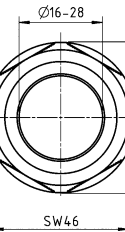
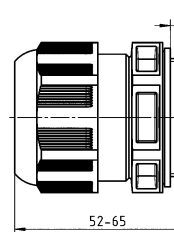
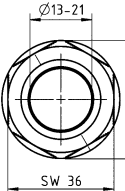
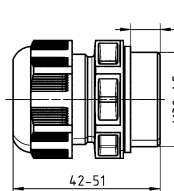
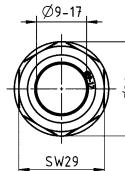
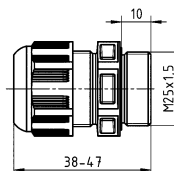
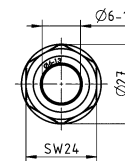
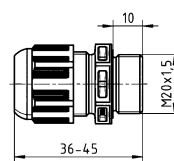
M20  
M25  
M32  
M40


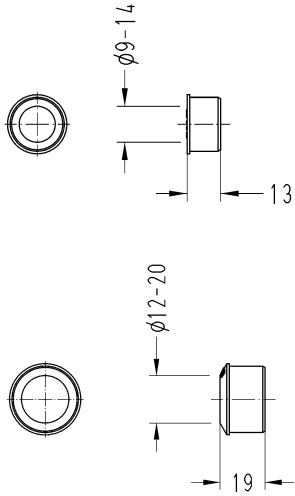
6 ... 13  
9 ... 17  
13 ... 21  
16 ... 28

19 41 000 5111  
19 41 000 5121  
19 41 000 5131  
19 41 000 5141

### Tightening torque

	Fitting	Cap nut
M20	4 Nm	3 Nm
M25	10 Nm	4 Nm
M32	15 Nm	4 Nm
M40	20 Nm	20 Nm



Identification	Size	Clamping range (mm)	Part number	Drawing (dimensions in mm)
Han-Eco®, Reduction seal insert 	M32 M40	9 ... 14 12 ... 20	19 41 000 5132 19 41 000 5142	

## Technical characteristics

Material (seal)                      NBR

## Technical characteristics

Colour (seal)                      Black  
RoHS                                      compliant

Identification	Size	Part number	Drawing (dimensions in mm)
----------------	------	-------------	-------------------------------

Han-Eco® Modular,  
Flange gasket,  
Han-Eco®



06 B  
10 B  
16 B  
24 B

19 41 000 9801  
19 41 000 9802  
19 41 000 9803  
19 41 000 9804

Han-Eco® Modular,  
Profile gasket,  
Han-Eco®



06 B  
10 B  
16 B  
24 B

19 41 000 9901  
19 41 000 9902  
19 41 000 9903  
19 41 000 9904