



Product designation	SM1R
Product type designation	Motor protective circuit breaker

**Electrical features**

Number of poles	nr.	3
Magnetic protection		Yes
Thermal protection		Yes
Phase failure detection		Yes
Rated insulation voltage $U_i$ IEC/EN	V	690
Rated impulse withstand voltage $U_{imp}$	kV	6
Rated frequency	Hz	50/60
Thermal trip adjustment range		24...32
Rated current ( $I_n$ )	A	32
Magnetic tripping		13 x $I_n$

Operational short-circuit current breaking capacity ( $I_{cs}$ ) at AC	230V	kA	100
	400V	kA	25
	440V	kA	5
	500V	kA	5
	690V	kA	2

Maximum short-circuit current breaking capacity ( $I_{cu}$ ) at AC	230V	kA	100
	400V	kA	25
	440V	kA	50
	500V	kA	10
	690V	kA	4

**Operations**

Mechanical life	Cycles	100,000
Electrical life	Cycles	100,000

**Mechanical features**

Tightening torque for terminals	min	Nm	3
	max	Nm	3
	min	lbin	2
	max	lbin	2

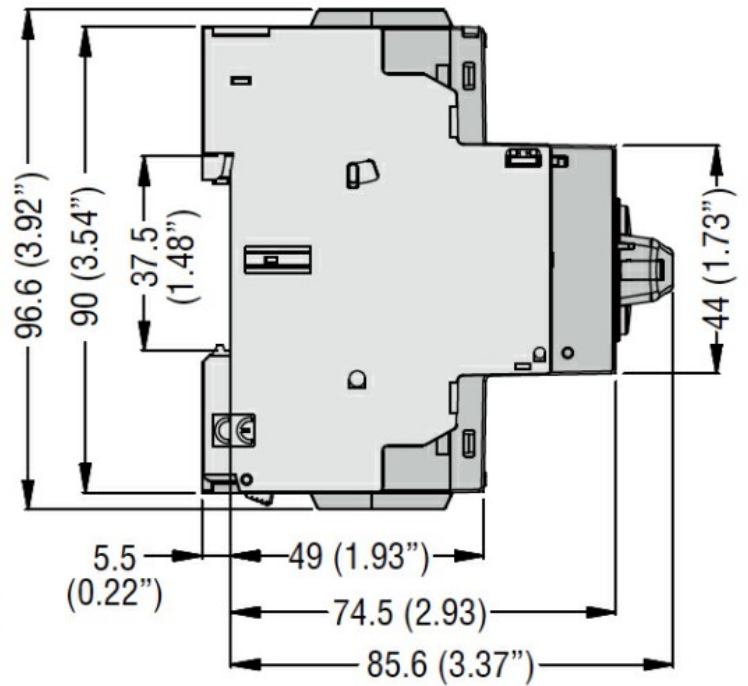
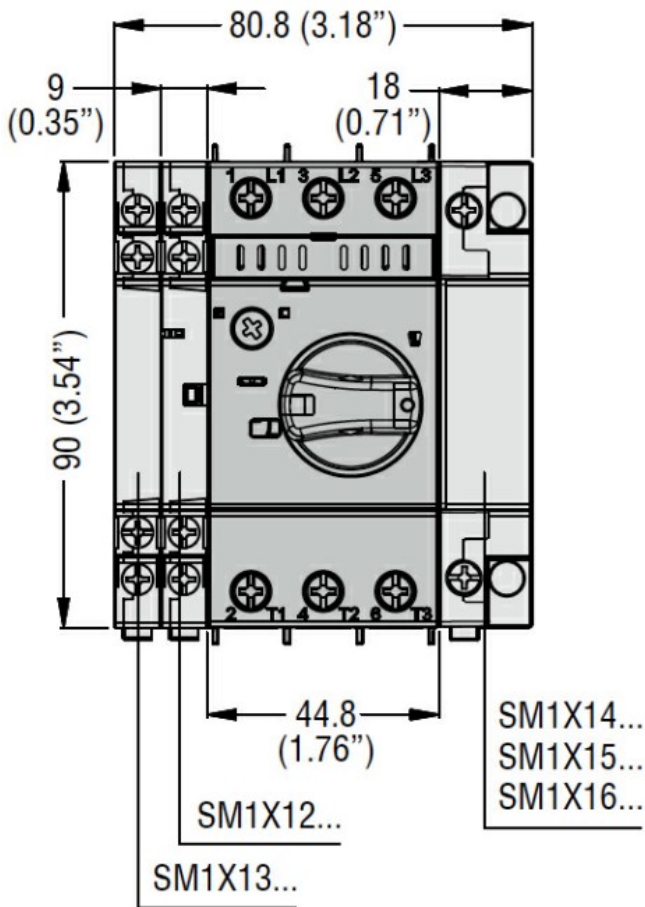
Max number of wires simultaneously connectable	nr.	2
--	-----	---

Conductor section	AWG	/kcmil min	16
		/kcmil max	8

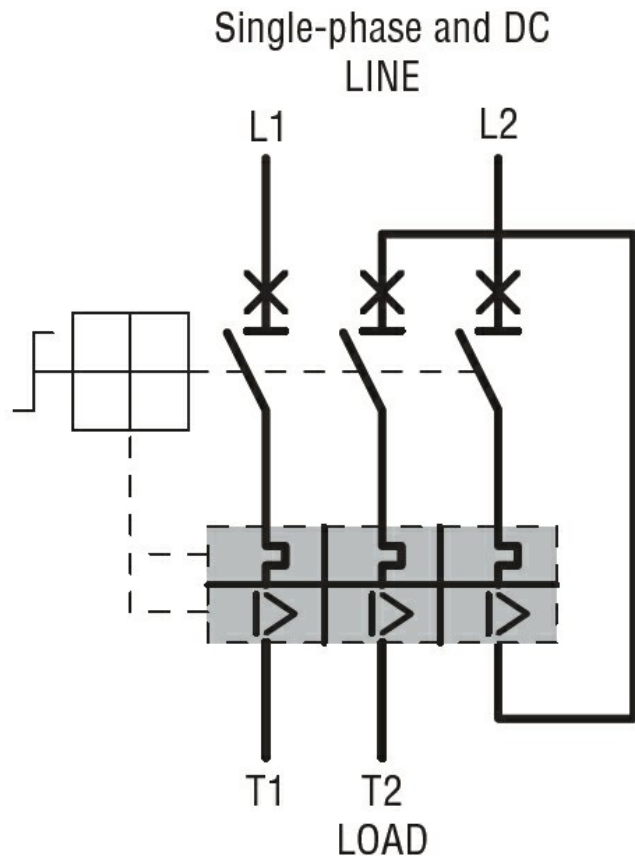
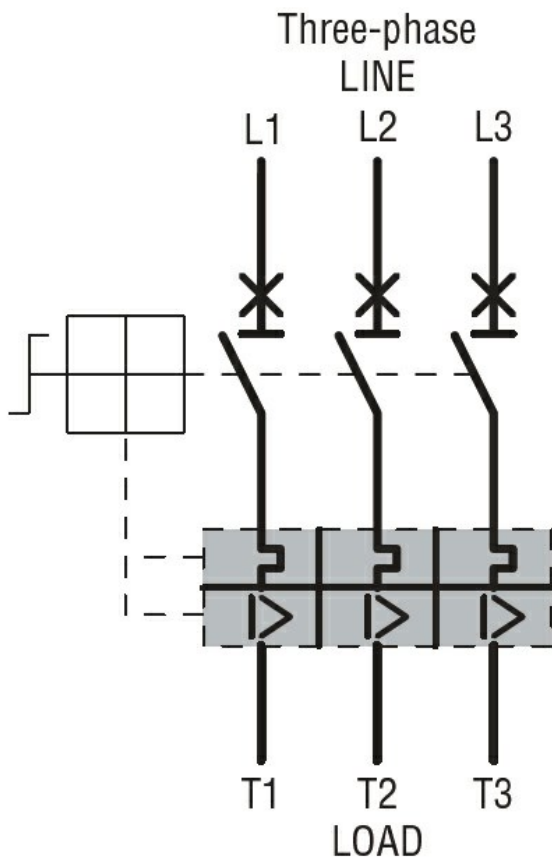
Flexible w/o lug conductor section	min	mm <sup>2</sup>	1
	max	mm <sup>2</sup>	10

Flexible c/w lug conductor section	min	mm <sup>2</sup>	1
------------------------------------	-----	-----------------	---

	max	mm <sup>2</sup>	10
Flexible with insulated spade lug conductor section	min	mm <sup>2</sup>	1
	max	mm <sup>2</sup>	10
Screwdriver			PH2
Power terminal protection according to IEC/EN 60529			IP20
Cable stripping length	main circuit	mm	1
<b>Ambient conditions</b>			
Temperature			
Operating temperature			
	min	°C	-20
	max	°C	60
Storage temperature			
	min	°C	-50
	max	°C	80
Compensation temperature			
	min	°C	-20
	max	°C	50
Max altitude		m	3,000
Operating position	normal allowable		Su piano verticale Qualsiasi
Fixing			A vite / profilato omega 35mm
Weight		g	390
<b>UL technical data</b>			
UL508 / UL60947-4-1 Manual Motor Controller - Short circuit current			
Motor Disconnect	at 480V	kA	30
	at 600V	kA	30
	protection		200A class J
Group Motor Installation	at 480V	kA	30
	at 600V	kA	30
	protection		200A class J
Maximum UL/CSA horsepower ratings single-phase	at 110V-120V	hp	1
	at 220V-240V	hp	2
Maximum UL/CSA horsepower ratings three-phase, 3-pole	at 200V-208V	hp	3
	at 220V-240V	hp	3
	at 440V-480V	hp	10
	at 550V-600V	hp	-
<b>Dimensions</b>			



**Wiring diagrams**



**Certifications and compliance**

Certifications

CSA C22.2 n° 14

IEC/EN 60947-1

IEC/EN 60947-2

IEC/EN 60947-4-1

UL508

Compliance

cULus

EAC

ETIM 6 classification