

3D PDF DATASHEET



 eCATALOG solutions



 BIM catalogs.net



 PART solutions



Create Your Individual 3D PDF Datasheet ▶

Learn How to Create Your Mechanical Product Catalog ▶

Learn How to Create Your BIM Product Catalog ▶

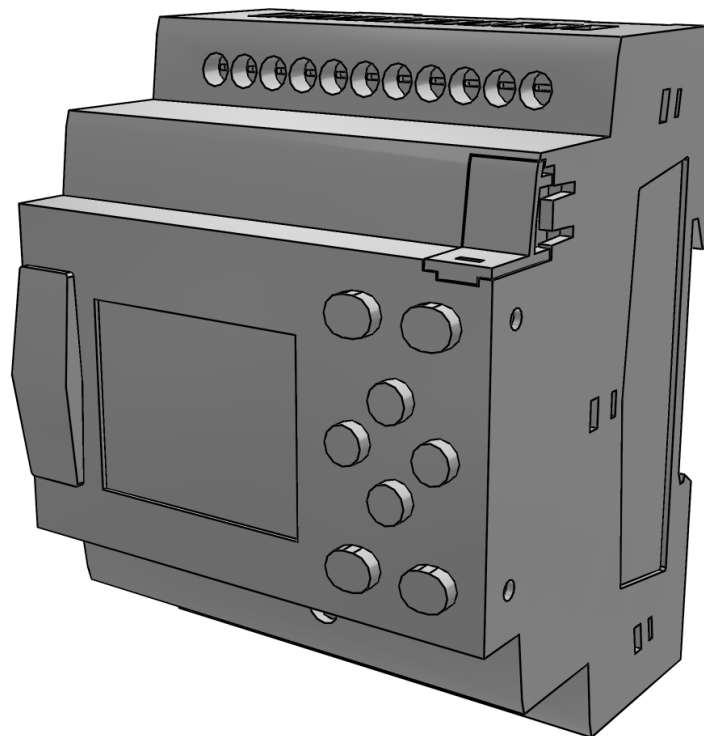
Reduce Your Costs in Engineering and Purchasing ▶

Y7-197211



3D View

To activate the interactive 3D view, you must trust this document (see hint on the top) in Adobe Acrobat and click on the question mark.



Zoom

Moves you toward or away from objects in the scene when you drag vertically. You can also zoom with the hand tool by holding down Shift as you drag.

Pan

Moves the model vertically and horizontally only. You can also pan with the hand tool: Ctrl-drag.

Rotate

Turns 3D objects around relative to the screen. How the objects move depends on the starting view, where you start dragging and the direction in which you drag.

3D PDF DATASHEET



eCATALOGsolutions



BIM catalogs.net



PARTsolutions



Create Your Individual 3D PDF Datasheet



Learn How to Create Your Mechanical Product Catalog



Learn How to Create Your BIM Product Catalog



Reduce Your Costs in Engineering and Purchasing

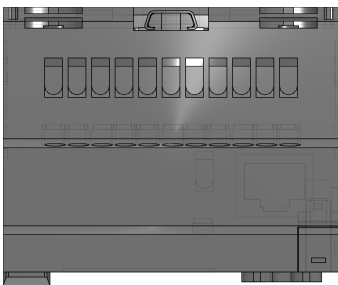
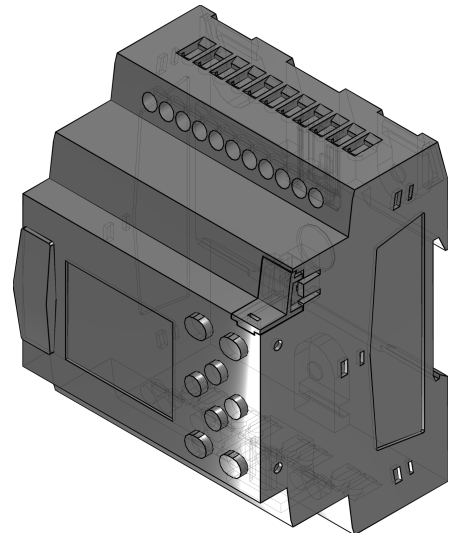
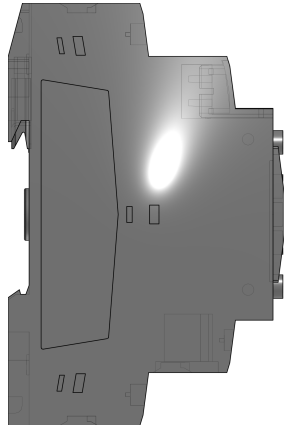
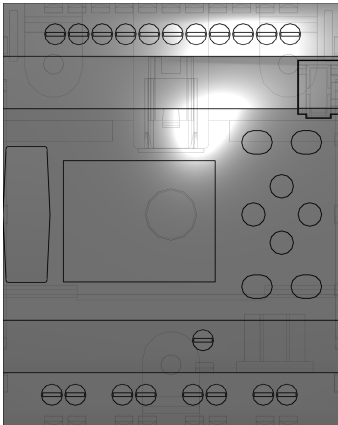


Y7-197211



2D derivation

ISO View



3D PDF DATASHEET



eCATALOGsolutions



BIM catalogs.net



PARTsolutions



Create Your Individual 3D PDF Datasheet



Learn How to Create Your Mechanical Product Catalog



Learn How to Create Your BIM Product Catalog



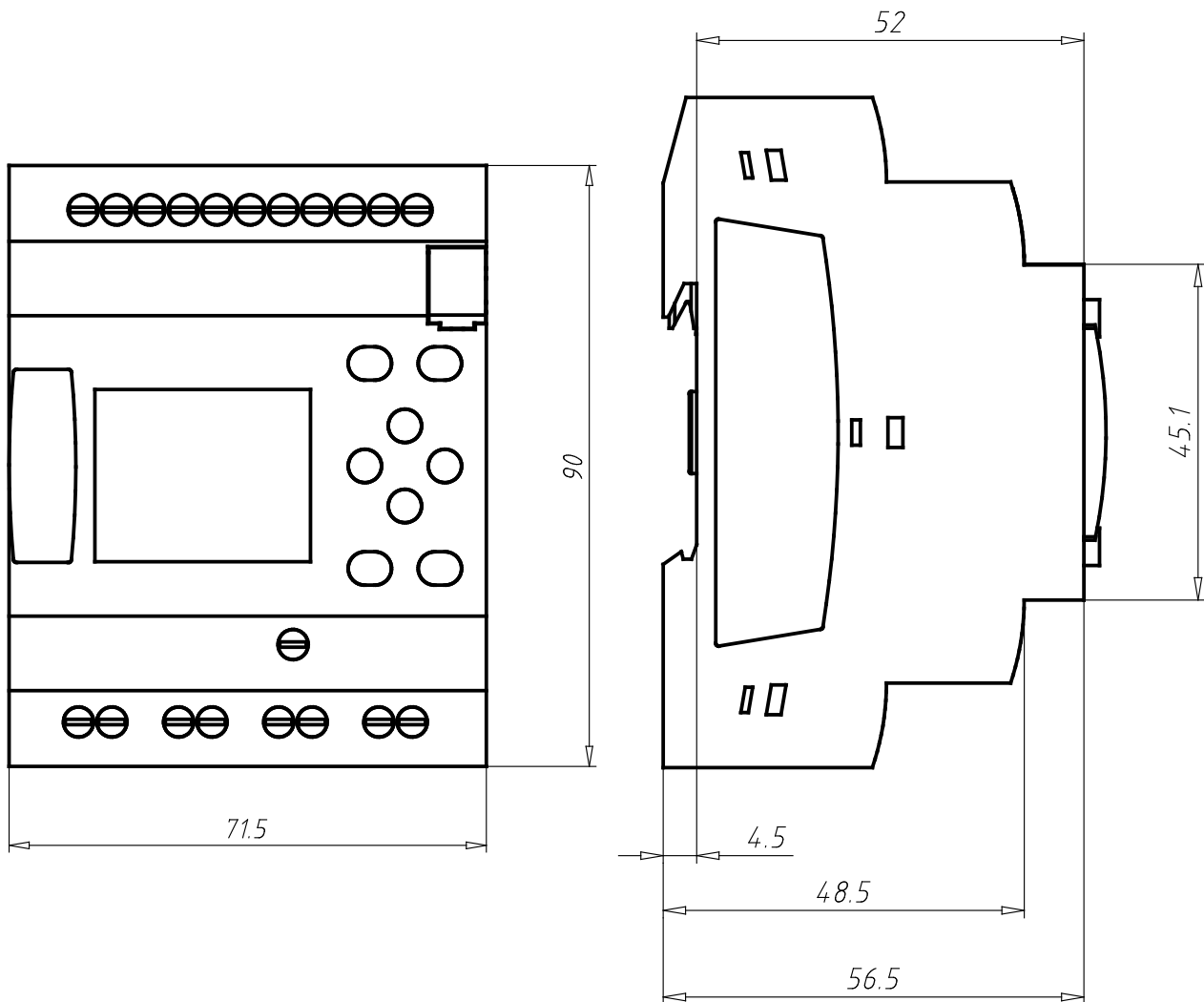
Reduce Your Costs in Engineering and Purchasing



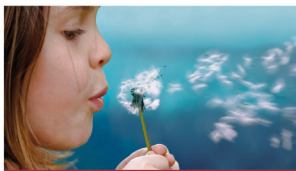
Y7-197211



Technical drawings



3D PDF DATASHEET



 eCATALOG solutions




 BIM catalogs.net



 PART solutions



Create Your Individual 3D PDF Datasheet 

Learn How to Create Your Mechanical Product Catalog 

Learn How to Create Your BIM Product Catalog 

Reduce Your Costs in Engineering and Purchasing 

Y7-197211



Technical Data

PFOTO (PFoto)	easy-e4-uc-12rc1_ltp.jpg
PLID ()	Y7-197211
DATA_SHEET (Data sheet)	Data sheet
MANUTYPEDESC (Manufacturer type description)	EASY-E4-UC-12RC1
DESCSHORT (Short Description)	Control relays, easyE4 (expandable, Ethernet), 12/24 V DC, 24 V AC, Inputs Digital: 8, of which can be used as analog: 4, screw terminal
DESCLONG (Long Description)	Control relays, Supply voltage: 12/24 V DC, 24 V AC, Inputs Digital: 8, of which can be used as analog: 4, Expansions: Expandable, networkable (Ethernet), Software: EASYSOFT-SWLIC/easySoft7, Connection type: screw terminal, Mounting position: Vertical or horizontal, Protection type (IEC/EN 60529, EN50178, VBG 4): IP20, Standards: EN 61000-6-2, EN 61000-6-3, IEC 60068-2-6, IEC 60068-2-27, IEC 60068-2-30, IEC 61131-2, EN 61010, EN 50178, cULus per UL 61010, CSA C22.2 No.61010
EAN ()	4015081939480
ECLASS_8_1 (ECLASS-8.1)	27-24-22-16
PACKAGED_WEIGHT (Packaged weight / kg)	0.25

3D PDF DATASHEET



 eCATALOG solutions




 BIM catalogs.net




 PART solutions



Create Your Individual 3D PDF Datasheet 

Learn How to Create Your Mechanical Product Catalog 

Learn How to Create Your BIM Product Catalog 

Reduce Your Costs in Engineering and Purchasing 

Y7-197211



Bill of Materials

N°	Description	Amount
1	Y7-197211	1