

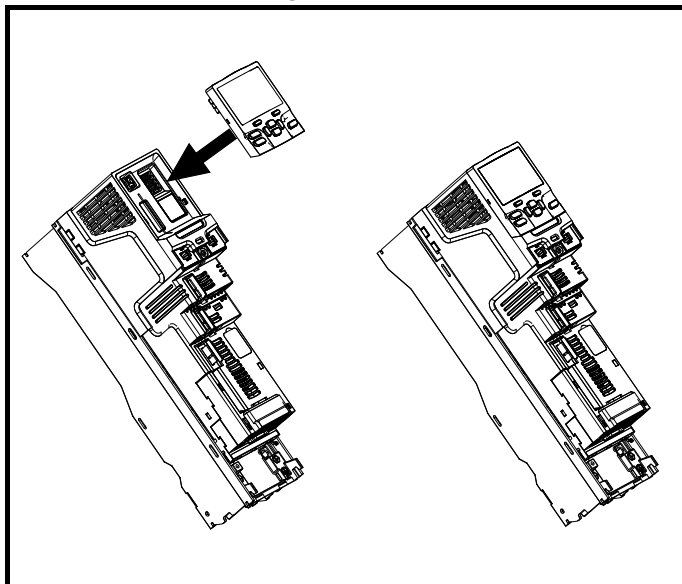
KI-Keypad Installation Sheet



The KI-Keypad is intended for use only when attached to the drive in the manner shown in this installation sheet. It is not suitable for hand-held or remote use. Operation in any other fashion may cause a hazard, and invalidates the warranty.

WARNING

1 Installation and removal of the KI-Keypad



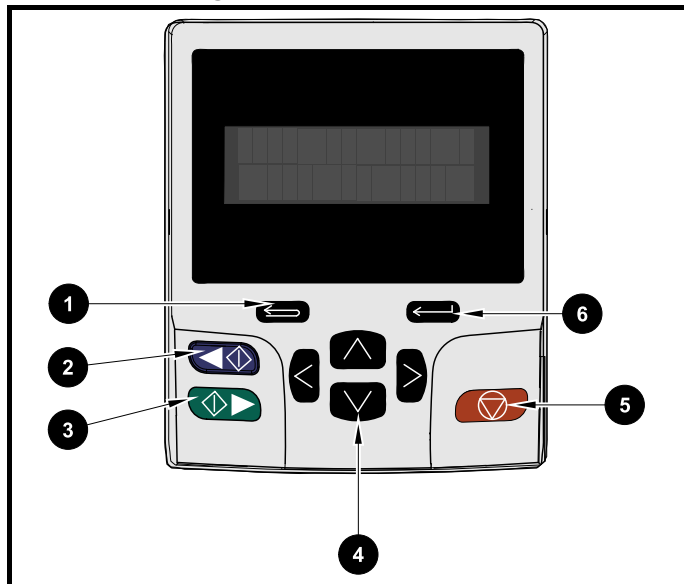
To install, align the keypad and press gently in the direction shown until it clicks into position.

To remove, reverse the installation instructions.

NOTE


The KI-Keypad can be installed / removed while the drive is powered up and running a motor, providing that the drive is not operating in keypad mode.

2 Understanding the KI-Keypad



1. Escape button
2. Start reverse (Auxiliary button)
3. Start forward
4. Navigation keys (x4)
5. Stop / Reset (red) button
6. Enter button

NOTE

The red stop  button is also used to reset the drive.

2.1 Control buttons

The keypad consists of:

- Navigation Keys - Used to navigate the parameter structure and change parameter values.
- Enter / Mode button - Used to toggle between parameter edit and view mode.
- Escape / Exit button - Used to exit from parameter edit or view mode. In parameter edit mode, if parameter values are edited and the exit button pressed the parameter value will be restored to the value it had on entry to edit mode.
- The Start forward, Start reverse and Stop / Reset buttons are used to control the drive if keypad mode is selected.

2.2 Display

The KI-Keypad display consists of two rows of text. The upper row shows the drive status or the menu and parameter number currently being viewed. The lower row of the display line shows the parameter value or the specific trip type. The last two characters on the upper row may display special indications.



0478-0005-02