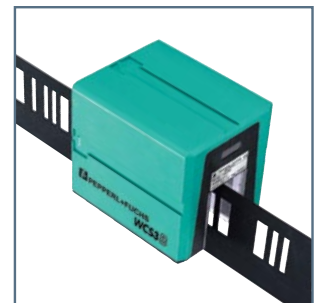
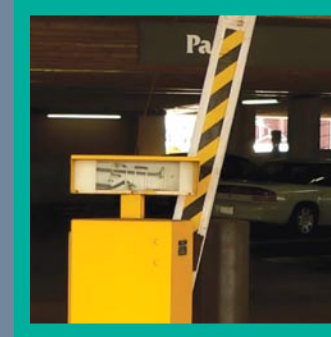


SENSOR TECHNOLOGY FOR DOORS, GATES, AND ELEVATORS



ABSOLUTE SENSING SOLUTIONS FROM PEPPERL+FUCHS

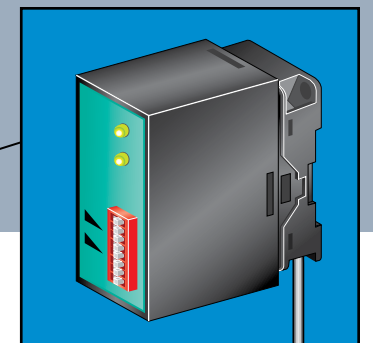
When precision, safety, and reliability are vital, Pepperl+Fuchs is the only sensor supplier you'll ever need



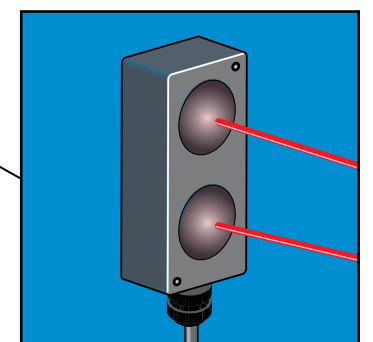
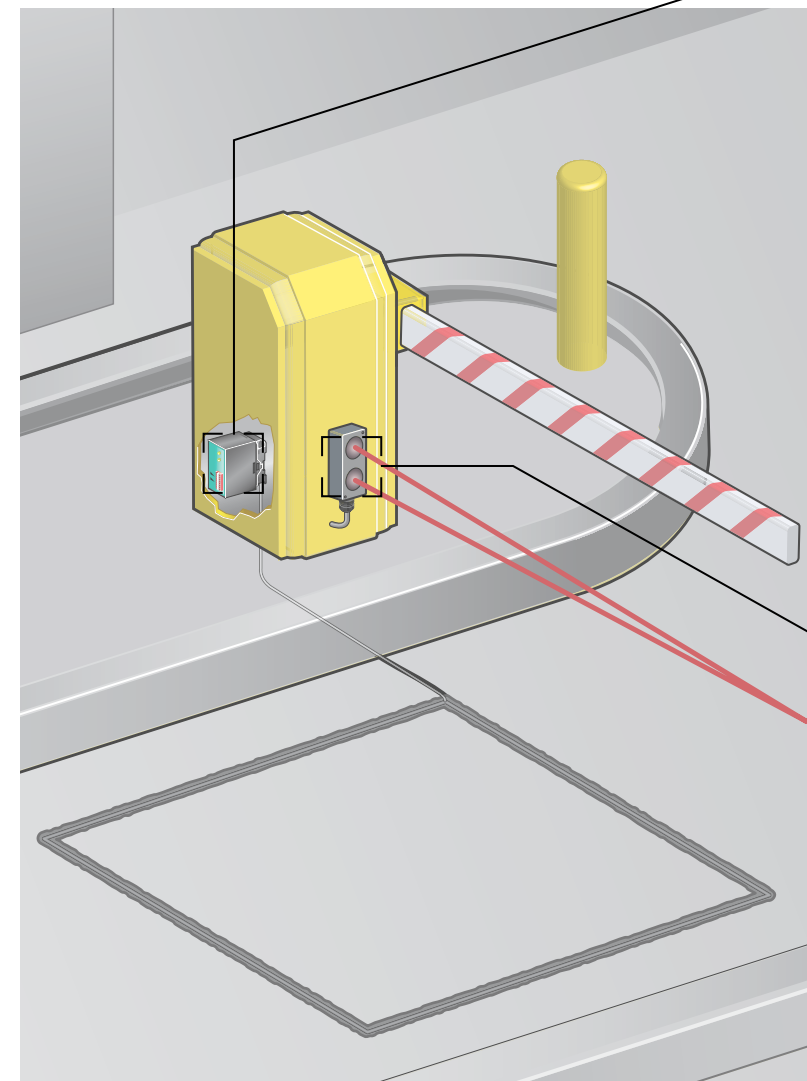
GATES

Pepperl+Fuchs' gate control

Doors, gates, and elevators rely on robust sensing technologies to optimize performance and safety. Sensor intelligence allows detection of direction and differentiation between people and vehicles. Pepperl+Fuchs' various technologies provide absolute positioning, protection against pinch points, presence sensing, as well as collision avoidance. Our large and diverse selection of sensing technologies provides solutions to meet all of your Door, Gate and Elevator sensing needs. Visit us at www.sensing.net/dge1



- Inductive Loop Control**
- Inductive loop and controller detect vehicle presence
 - Automatic compensation for changes in temperature or humidity
 - Fault indication for loop break or short circuit



- Gate Protection**
- Detects irregular vehicle surfaces
 - Long range with no reflector required
 - Detects vehicle presence
 - Prevents gate collision

GATES



- Vehicle Detection
- Inductive Loop Control

DOORS



- Threshold Protection
- Approach Sensing
- Collision Avoidance
- Pinch Point Monitoring

ELEVATORS

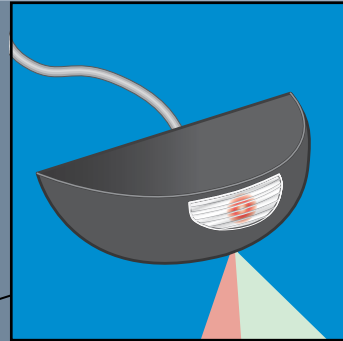


- Laser Distance Measurement
- Absolute Positioning
- Floor Zone – Vane Detection
- Light Grid Protection
- Door Monitoring

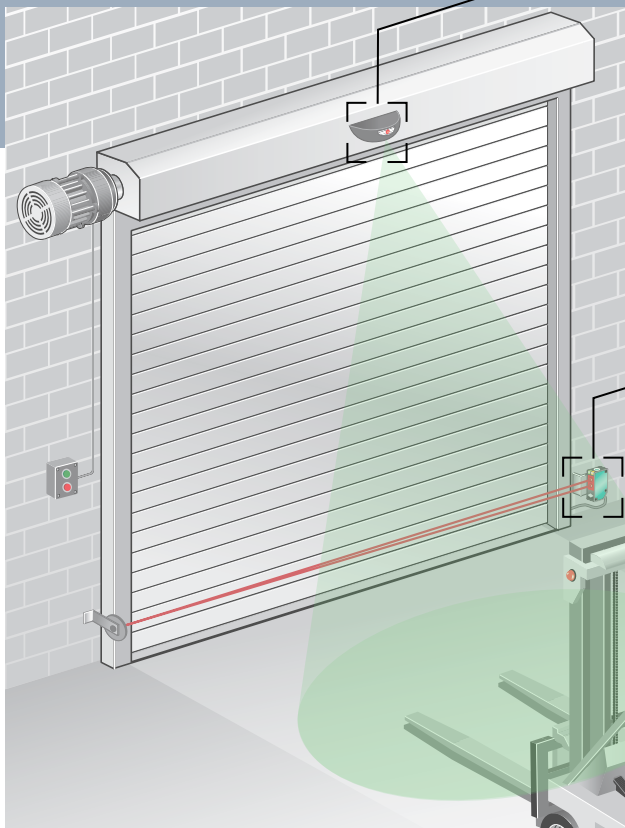


AUTOMATIC INDUSTRIAL AND PEDESTRIAN DOORS

When safety counts, choose Pepperl+Fuchs



INDUSTRIAL DOORS

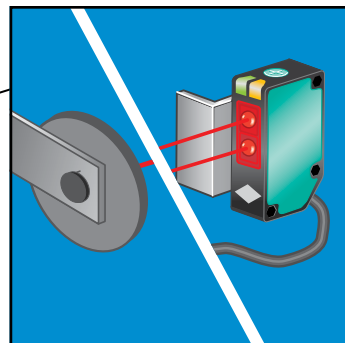


Industrial Doors

- Microwave motion sensing with adjustable sensitivity
- Remote control programmability
- Differentiates between pedestrians & vehicles
- Direction detection
- Suitable for very high doors

Pedestrian Doors

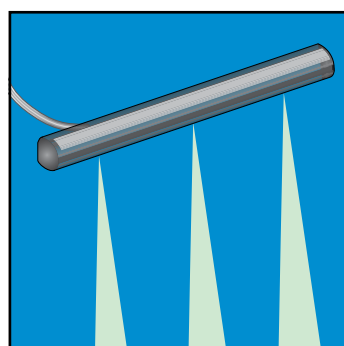
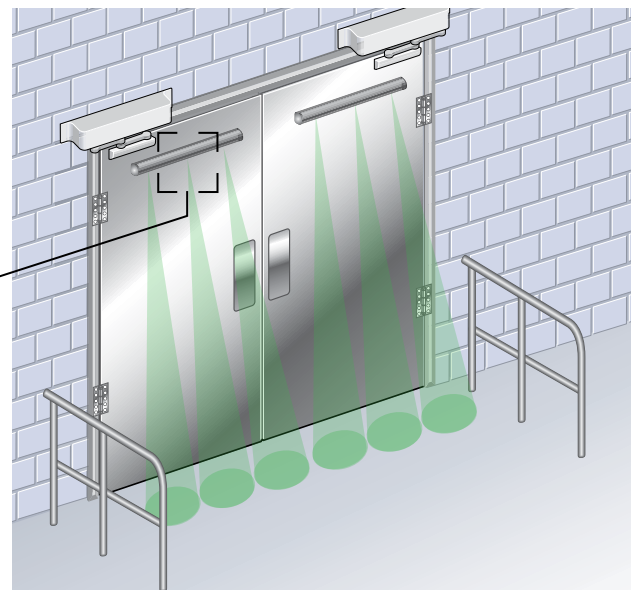
- Approach & threshold sensing in one sensor
- Complies with ANSI standard
- Cross traffic immunity



Threshold Protection

- Retro-reflective photoeye
- Polarization filter reliably detects shiny objects
- Cost-effective
- AC/DC with relay output
- High signal strength

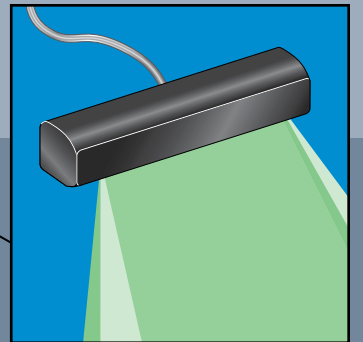
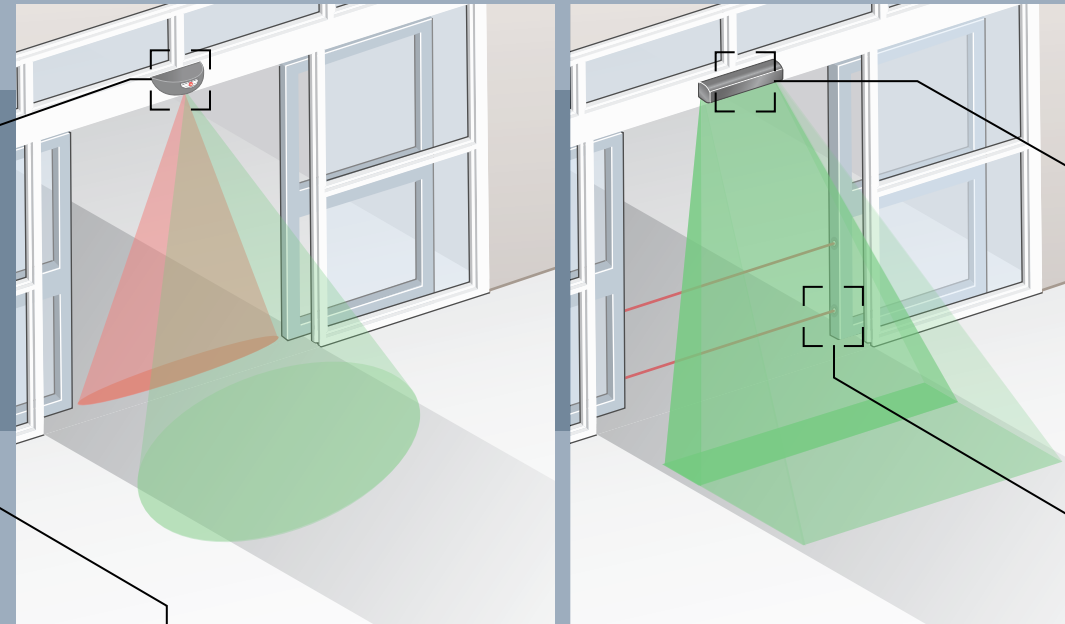
SWING DOORS



Collision Avoidance

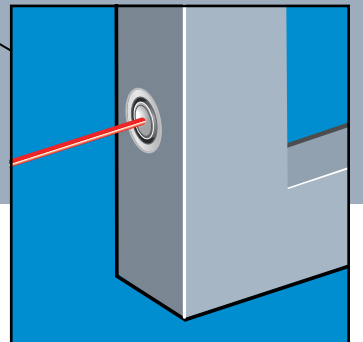
- Modular design allows beam positioning
- Two sensing modes provide optimal coverage

SLIDING DOORS



Approach Sensing

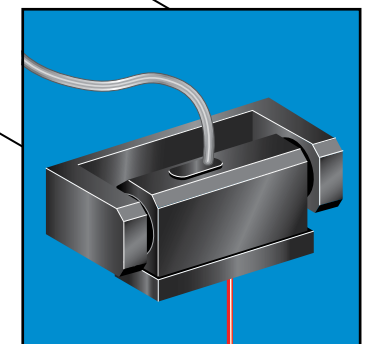
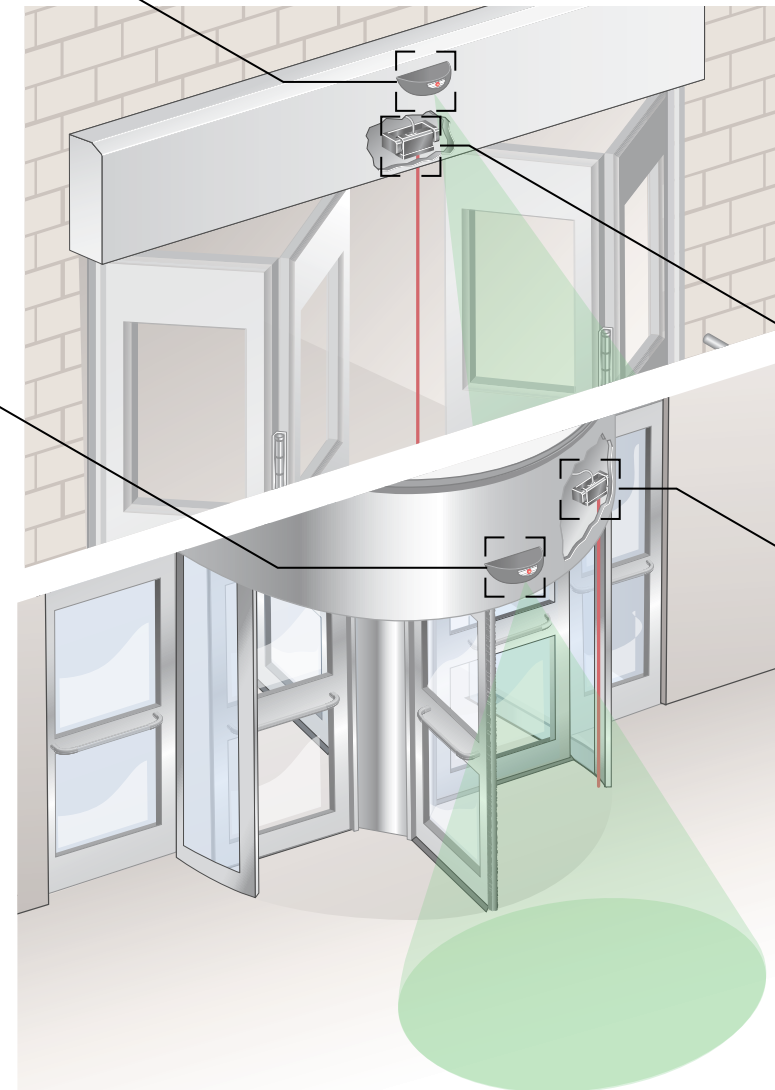
- Up to 20 configurable sensing patterns
- Sharply defined sensing field
- Economical



Threshold Monitoring

- Wide beam angle
- Tamper-proof
- Cost-effective

FOLDING & REVOLVING DOORS



Pinch Point Protection

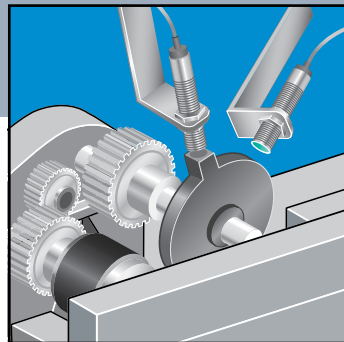
- Small light beam monitors pinch point
- Insensitive to target color



ELEVATORS

For absolute positioning,
choose Pepperl+Fuchs

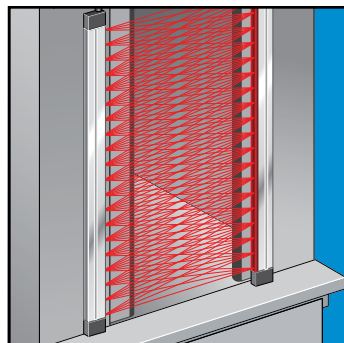
DOOR POSITION DETECTION



Inductive Sensors

- Variety of housing styles
- Monitors door open/closed

DOOR PROTECTION

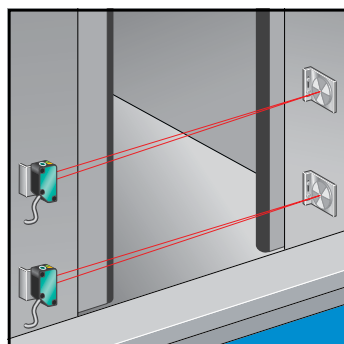


Light Grid

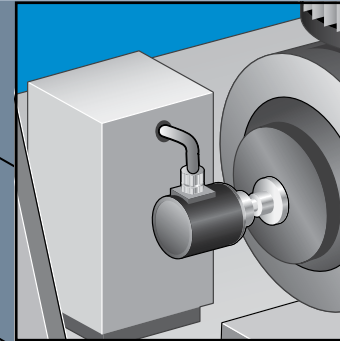
- Triple beam crisscrossing maintained at door closing
- Ultra low profile
- Up to 7-beam crisscrossing for optimal resolution
- Extremely high ambient light resistance
- No separate controller needed
- Quick disconnect, high flexibility cable

Retro-reflective Photoeye

- Polarization filter reliably detects shiny objects
- AC/DC supply
- Reflectors allow single-side wiring
- Cost-effective

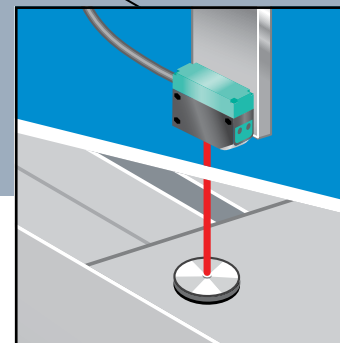


CAB POSITION DETECTION



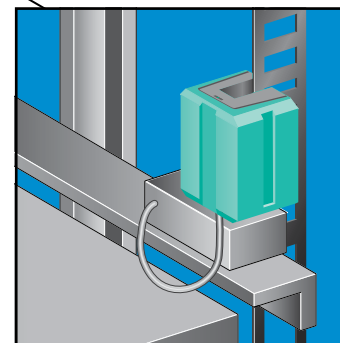
Rotary Encoders

- Absolute & incremental position
- High resolution
- Easy installation



Laser Distance Measurement

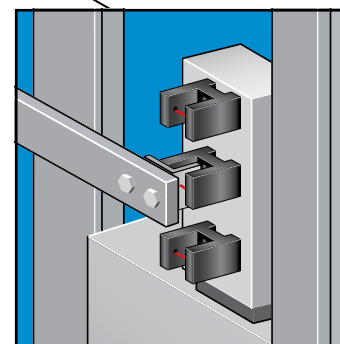
- Absolute position
- Built-in visible red laser for alignment
- No rope slip or stretch error



Absolute Linear Positioning

- Absolute position—no reference points or calibration even after power loss
- Fraction-of-a-millimeter resolution
- No bushings or couplings, contact free and wear free operation
- Accuracy unaffected by rope stretch or slip

FLOOR ZONE—VANE DETECTION



Slot Sensors

- Very accurate
- Compact housing
- High light immunity

MORE P+F SENSOR APPLICATIONS

ESCALATORS

- Approach Startup
- Handrail-to-stairs Synchronization
- Slip Monitoring
- Rotation Direction Monitoring
- AS-Interface

MOVING WALKWAYS

- End of Walkway Alert
- Handrail-to-walkway Synchronization
- Slip Monitoring
- Rotation Direction Monitoring
- AS-Interface

SENSING WITH ABSOLUTE ACCURACY, SAFETY, AND RELIABILITY

Photoelectric Sensors



Rotary Encoders



Microwave Sensors



Absolute Linear Positioning



Inductive Loop Controller



Inductive Sensors



Pepperl+Fuchs—your sensing supplier for doors, gates, and elevators
Visit us at www.sensing.net/dge1

Contact

Pepperl+Fuchs Inc.
1600 Enterprise Parkway
Twinsburg, Ohio 44087 · USA
Tel. +1 330 486-0001 · Fax +1 330 405-4710
E-mail: fa-info@us.pepperl-fuchs.com

Worldwide Headquarters

Pepperl+Fuchs GmbH · Mannheim · Germany
E-mail: fa-info@de.pepperl-fuchs.com

USA Headquarters

Pepperl+Fuchs Inc. · Twinsburg · USA
E-mail: fa-info@us.pepperl-fuchs.com

Asia Pacific Headquarters

Pepperl+Fuchs Pte Ltd · Singapore
Company Registration no. 199003130E
E-mail: fa-info@sg.pepperl-fuchs.com

www.pepperl-fuchs.com

 **PEPPERL+FUCHS**
SENSING YOUR NEEDS

Subject to modifications • © 2008 PEPPERL+FUCHS, INC. • Printed in USA • Part No. 910019 02/08 01